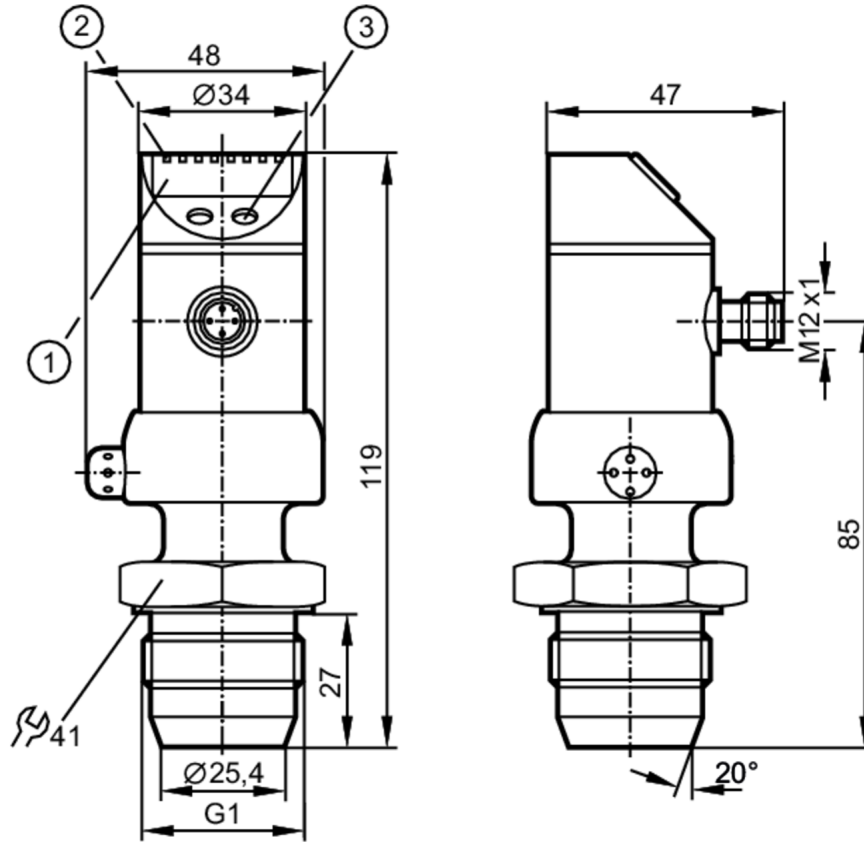


PIM694



Pressure sensor with diagnostic function for pumps

PIM010-REA01-KFPKG/US/ IP



- 1 alphanumeric display 4-digit
- 2 status LEDs
- 3 programming button



Product characteristics

Output signal	switching signal; analogue signal; (configurable)		
Measuring range	-1...10 bar	-14.5...145 psi	-0.1...1 MPa
Process connection	threaded connection G 1 external thread sealing cone		

Application

Special feature	Gold-plated contacts		
Application	food and beverage industry		
Installation	freely rotatable housing 350°		
Media	viscous media and liquids with suspended particles; liquids and gases		
Medium temperature [°C]	-25...125; (145 max. 1h)		
Pressure rating	50 bar	725 psi	5 MPa
Min. bursting pressure	150 bar	2175 psi	15 MPa
Type of pressure	relative pressure; vacuum		
No dead space	yes		



Pressure sensor with diagnostic function for pumps

PIM010-REA01-KFPKG/US/ IP

Electrical data				
Operating voltage	[V]	18...32 DC		
Current consumption	[mA]	< 50		
Min. insulation resistance	[MΩ]	100; (500 V DC)		
Protection class		III		
Reverse polarity protection		yes		
Power-on delay time	[s]	0.2		
Integrated watchdog		yes		
Inputs / outputs				
Number of inputs and outputs		Number of digital outputs: 2; Number of analogue outputs: 1		
Outputs				
Total number of outputs		2		
Output signal		switching signal; analogue signal; (configurable)		
Electrical design		PNP		
Number of digital outputs		2		
Output function		normally open / normally closed; (parameterisable)		
Max. voltage drop switching output DC	[V]	2		
Permanent current rating of switching output DC	[mA]	250		
Switching frequency DC	[Hz]	350		
Notes on switching frequency		OUT2		
Number of analogue outputs		1		
Analogue current output	[mA]	4...20, invertible; (scalable)		
Max. load	[Ω]	(U _b - 10 V) / 20 mA		
Short-circuit protection		yes		
Type of short-circuit protection		pulsed		
Overload protection		yes		
Measuring/setting range				
Measuring range		-1...10 bar	-14.5...145 psi	-0.1...1 MPa
Set point SP		-0.98...10 bar	-14.2...145 psi	-0.098...1 MPa
Reset point rP		-1...9.98 bar	-14.5...144.7 psi	-0.1...0.998 MPa
Analogue start point		-1...7.25 bar	-14.5...105.1 psi	-0.1...0.725 MPa
Analogue end point		1.5...10 bar	21.8...145 psi	0.15...1 MPa
In steps of		0.01 bar	0.1 psi	0.001 MPa
Factory setting			OU1 = Fnc ASP = 0.00 bar	OU2 = I AEP = 10.00 bar
Accuracy / deviations				
Switch point accuracy	[% of the span]	< ± 0,2; (Turn down 1:1)		
Repeatability	[% of the span]	< ± 0,1; (with temperature fluctuations < 10 K; Turn down 1:1)		
Characteristics deviation	[% of the span]	< ± 0,2; (Turn down 1:1 linearity, incl. hysteresis and repeatability limit value setting to DIN 16086)		
Linearity deviation		< ± 0,15; (Turn down 1:1)		

PIM694



Pressure sensor with diagnostic function for pumps

PIM010-REA01-KFPKG/US/ IP

	[% of the span]	
Hysteresis deviation	[% of the span]	< ± 0,15; (Turn down 1:1)
Long-term stability	[% of the span]	< ± 0,1; (Turn down 1:1; per year)
Temperature coefficient zero point	[% of the span / 10 K]	< ± 0,15; (0...70 °C)
Temperature coefficient span	[% of the span / 10 K]	< ± 0,1; (0...70 °C)

Response times

Response time	[ms]	< 2.5
Damping for the switching output dAP	[s]	0...10
Damping for the analogue output dAA	[s]	0...10
Step response time analogue output	[ms]	0.2

Software / programming

Parameter setting options	zero point; span
---------------------------	------------------

Operating conditions

Ambient temperature	[°C]	-25...80
Storage temperature	[°C]	-40...100
Protection		IP 67; IP 69K

Tests / approvals

EMC	EN 61000-4-2 ESD	4 kV CD / 8 kV AD
	EN 61000-4-3 HF radiated	10 V/m
	EN 61000-4-4 Burst	2 kV
	EN 61000-4-5 Surge	0,5/1 kV
	EN 61000-4-6 HF conducted	10 V
Shock resistance	DIN IEC 68-2-27	50 g (11 ms)
Vibration resistance	DIN IEC 68-2-6	20 g (10...2000 Hz)
MTTF	[years]	188

Mechanical data

Weight	[g]	451.2
Materials		stainless steel (1.4404 / 316L); PC; PBT; PEI; FKM; PTFE
Materials (wetted parts)		ceramics (99.9 % Al ₂ O ₃); PTFE; stainless steel (1.4435 / 316L); surface characteristics: Ra < 0,4 / Rz 4
Min. pressure cycles		100 million
Process connection		threaded connection G 1 external thread sealing cone

Displays / operating elements

Display	Display unit	4 x LED, green
	switching status	2 x LED, yellow
	function display	alphanumeric display, 4-digit
	measured values	alphanumeric display, 4-digit

PIM694



Pressure sensor with diagnostic function for pumps

PIM010-REA01-KFPKG/US/ IP

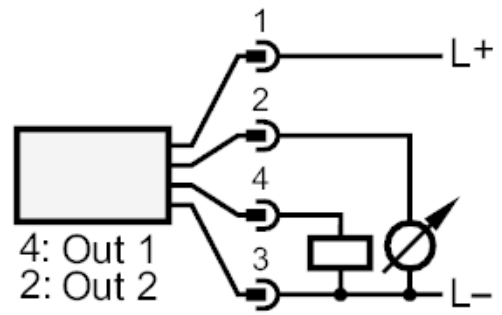
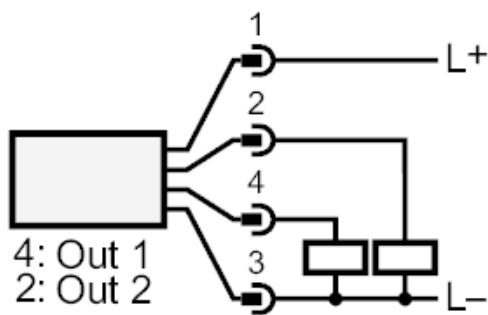
Remarks	
Remarks	pump diagnosis for pumps with constant rotational speed (+/- 10 % deviation of the taught rotational speed)
	speed range 40...3000 U/min
	minimum pressure for pump diagnosis 0,5 bar
	The 3-A qualification is only valid if adapters with 3-A qualification are used for installation.
Pack quantity	1 pcs.

Electrical connection

Connector: 1 x M12; Contacts: gold-plated



Connection



OUT1	pump diagnosis
OUT2	pressure monitoring