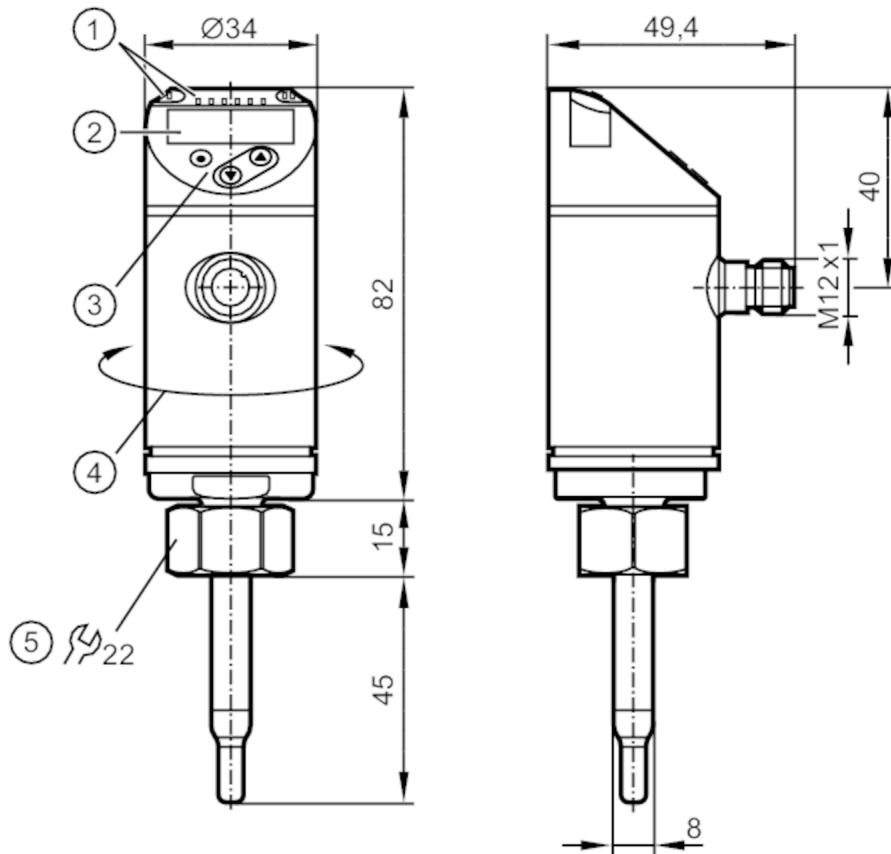


# SA5010



## Flow sensor

SAD10XDBFRKG/US-100



- 1 LEDs Display unit / switching status
- 2 alphanumeric display 4-digit red/green
- 3 programming buttons
- 4 upper part of the housing can be rotated 345°



### Product characteristics

Number of inputs and outputs	Number of digital outputs: 2; Number of analogue outputs: 1
Process connection	threaded connection M18 x 1,5 internal thread
<b>Liquids</b>	
Measuring range [ft/s]	0.15...9.85
<b>Gases</b>	
Measuring range [ft/s]	6...328

### Application

Special feature	Gold-plated contacts
Media	water; glycol solutions; air; oils
Note on media	low-viscosity oils with viscosity: $\leq 40 \text{ mm}^2/\text{s}$ (104 °F) high-viscosity oils with viscosity: $> 40 \text{ mm}^2/\text{s}$ (104 °F)
Medium temperature [°F]	-4...194
Pressure rating [bar]	100
Pressure rating [psi]	1450

# SA5010



## Flow sensor

SAD10XDBFRKG/US-100

Electrical data		
Operating voltage	[V]	18...30 DC
Current consumption	[mA]	< 100
Protection class		III
Reverse polarity protection		yes
Power-on delay time	[s]	10
Inputs / outputs		
Number of inputs and outputs		Number of digital outputs: 2; Number of analogue outputs: 1
Outputs		
Total number of outputs		2
Output signal		switching signal; analogue signal; frequency signal; IO-Link; (configurable)
Electrical design		PNP/NPN
Number of digital outputs		2
Output function		normally open / normally closed; (parameterisable)
Max. voltage drop switching output DC	[V]	2.5
Permanent current rating of switching output DC	[mA]	250
Number of analogue outputs		1
Analogue current output	[mA]	4...20; (scalable)
Max. load	[Ω]	350
Short-circuit protection		yes
Type of short-circuit protection		pulsed
Overload protection		yes
Frequency of the output	[Hz]	0...1000
Measuring/setting range		
Probe length L	[mm]	45
Operating mode		relative; absolutely liquid; absolutely gaseous
Note on setting range		Operating mode: relative
Liquids		
Measuring range	[ft/s]	0.15...9.85
Setting range	[ft/s]	0...19.5
Gases		
Measuring range	[ft/s]	6...328
Setting range	[ft/s]	0...656
Temperature monitoring		
Measuring range	[°F]	-4...194
Resolution	[°F]	0.5

# SA5010



## Flow sensor

SAD10XDBFRKG/US-100

Accuracy / deviations		
Flow monitoring		
Temperature drift	[cm/s x 1/K]	0,01 fps x 1/K (< 68 °F; > 158 °F)
Temperature gradient	[K/min]	100
Accuracy		± (7 % MW + 2 % MEW); (Für Relativmodus im Bereich der größten Empfindlichkeit mit.; water: 68...158 °F; inlet length: 5 ft; DN25 (DIN 2448); mounting position according to instructions; Accuracy can differ for other media and mounting positions.)
Repeatability		0,05 m/s; (water; flow velocity: 0,05...3 m/s)
Temperature monitoring		
Temperature drift		± 0,003 K/°F
Accuracy	[K]	± 0,3 / ± 1; (water; flow velocity: 1...9,85 fps / air; flow velocity: > 32,8 fps)
Response times		
Flow monitoring		
Response time	[s]	0.5; (T09; water; glycol: 0,8 s; air: 7 s; oil: 1,8 s; each T09)
Temperature monitoring		
Dynamic response T05 / T09	[s]	1,5 (T09); (water; flow velocity: 1...9,85 fps)
Software / programming		
Parameter setting options		hysteresis / window; normally open / normally closed; switching logic; current/frequency output; medium selection; Damping; Teach function; display can be rotated and switched off; standard unit of measurement; process value colour
Interfaces		
Communication interface		IO-Link
Transmission type		COM2 (38,4 kBaud)
IO-Link revision		1.1
SDCI standard		IEC 61131-9
IO-Link device ID		537 d / 00 02 19 h (REL)
Profiles		Smart Sensor: Process Data Variable; Device Identification, Device Diagnosis
SIO mode		yes
Required master port type		A
Process data analogue		2
Process data binary		2
Min. process cycle time	[ms]	3
Operating conditions		
Ambient temperature	[°F]	-40...176
Storage temperature	[°F]	-40...212
Protection		IP 65; IP 67
Tests / approvals		
EMC		DIN EN 60947-5-9
Shock resistance		DIN EN 60068-2-27
Vibration resistance		DIN EN 60068-2-6
MTTF	[years]	143
UL approval	UL Approval no.	I003
	File number UL	E174189

# SA5010



## Flow sensor

SAD10XDBFRKG/US-100

### Mechanical data

Weight	[g]	312.5
Materials		stainless steel (1.4404 / 316L); stainless steel (1.4310 / 301); PBT-GF20; PBT-GF30
Materials (wetted parts)		stainless steel (1.4404 / 316L); Gasket: FKM
Process connection		threaded connection M18 x 1,5 internal thread

### Displays / operating elements

Display	Display unit	6 x LED, green (% , fps, gpm, cfm, °F, 10 <sup>3</sup> )
	switching status	2 x LED, yellow
	measured values	alphanumeric display, red/green 4-digit

### Remarks

Remarks	MW = measured value
	MEW = Final value of the measuring range
	544 d / 00 02 20 h (LIQU)
	551 d / 00 02 27 h (GAS)
Pack quantity	1 pcs.

### Electrical connection

Connector: 1 x M12; Contacts: gold-plated



# SA5010



## Flow sensor

SAD10XDBFRKG/US-100

### Connection



colours to DIN EN 60947-5-2

#### OUT1:

- switching output volumetric flow quantity monitoring
- frequency output volumetric flow quantity monitoring
- IO-Link

#### OUT2:

- switching output volumetric flow quantity monitoring
- switching output Temperature monitoring
- analogue output volumetric flow quantity monitoring
- analogue output Temperature monitoring
- frequency output volumetric flow quantity monitoring
- frequency output Temperature monitoring
- input External Teach

Core colours :

BK =	black
BN =	brown
BU =	blue
WH =	white