

**SIEMENS CONTACTOR SUPPRESSOR**

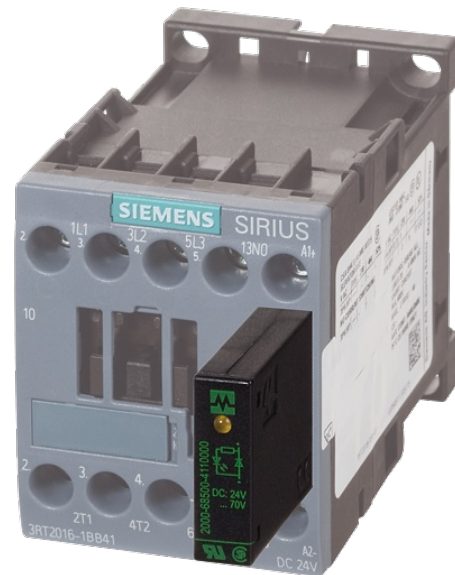
Varistor, 24-48VAC/DC

24 V AC/DC

48 V AC/DC

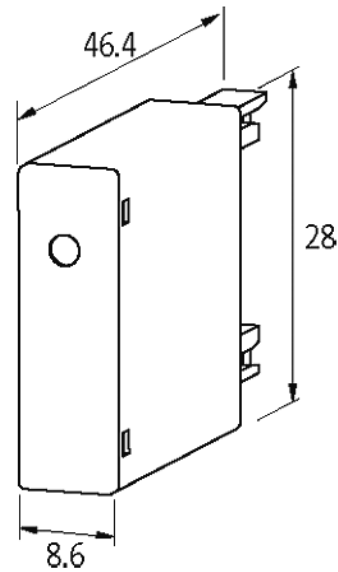
VDR

For other configurations and voltages, please inquire

[Link to Product](#)**Illustration**

VDR

stay connected



Product may differ from Image

### Approvals



### Appropriate contactors

3 RT 20.15/16/17/18

### Technical Data

Damping factor	approx. 1.5 × UN
Material	Flame retardant plastic acc. to (UL 94)
Connection wires	Plug contact

### General data

Dimensions H × W × D	46.4×28×8.6 mm
Temperature range	-20...+70 °C

### Commercial data

country of origin	CZ
customs tariff number	85363010
minimum order quantity	1