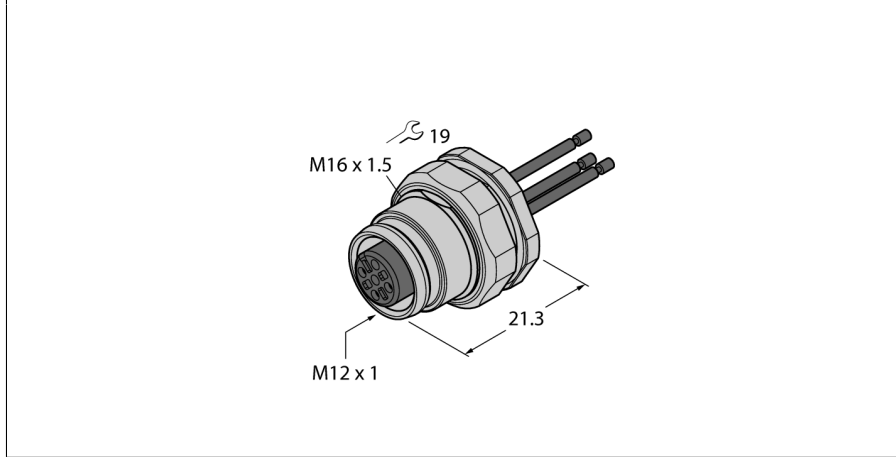
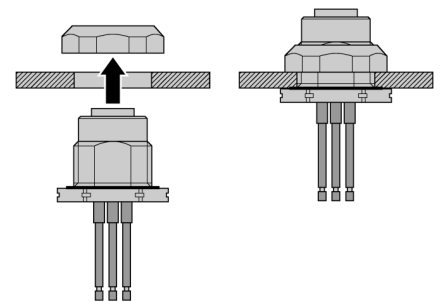
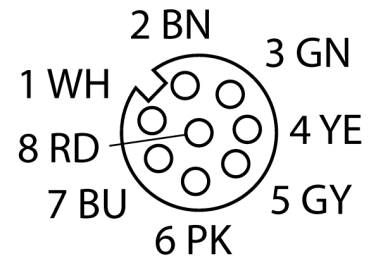


**Accessories for actuator/sensor cables  
female flange with strands, rear-mounted  
EC-FKFDE8-0,5/16**



- M12 ⚡ 1 female receptacle
- Protection class IP67
- Stainless steel receptacle housing
- Rear-mounted
- Connected via stranded wires

**Pin Assignment**



<b>Type designation</b>	EC-FKFDE8-0,5/16
Ident no.	6934559
<b>Connector A side</b>	Female receptacle, M12 ⚡ 1, Straight
Number of pins	8
Contacts	Brass, CuZn, Gold-plated
Contact carriers	Plastic, TPU, Black
Flange housing	Stainless steel, 1.4404 (AISI 316L)
Seal	Plastic, FPM/FKM
Screw-in thread seal	plastic, NBR
Screw-in thread	M16x1.5
Connection mode	Wire connection
Mechanical lifespan	> 100 Mating cycles
Pollution degree	3
Protection class	IP67, (screwed together)
<b>Cable length</b>	0.5 m
Core insulation	PVC
Core colors	WH, GN, YE, GY, BN, PK, BU, RD
Core cross-section	8x0.25mm <sup>2</sup>
<b>Electrical features at +20 °C</b>	
Rated voltage	30 V
Current	2 A
Insulation resistance	≥ 10 <sup>9</sup> Ω
Forward resistance	≤ 5 mΩ
<b>Mechanical and chemical properties</b>	
Ambient temperature	
Stationary	-30...+90°C