

# 201 SERIES

## Vertical Hold Down Clamps | Product Overview

### Features:

- Smallest series in the Vertical Handle series
- Stainless steel version available

### Applications:

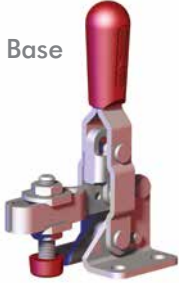
- Checking fixtures
- Assembly & test
- Woodworking

### Also Available:

See page MC-ACC-1 for accessories

812-U Pneumatic Toggle Clamp  
(See page MC-PTC-3)

**201-U**  
Flanged Base  
U-Bar



**201-UB**  
Straight Base



**201-TU**  
Flanged  
Base, U-Bar,  
T-Handle



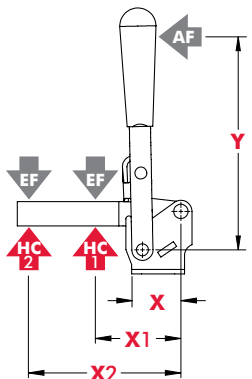
**201-USS**  
Flanged Base  
U-Bar, Stainless  
Steel



## Technical Information

Model	Max. Holding Capacity	Clamp Bar Opening (+10°)	Handle Opening (+10°)	Weight	Accessories (Supplied)	
					Spindle Assembly	Flanged Washers
201-U	440 N [100 lbf]	100°	55°	0,70kg [0.15lbs]	305208-M	102111
201-UB						
201-TU						
201-USS	560 N [125 lbf]				201943-M	102911

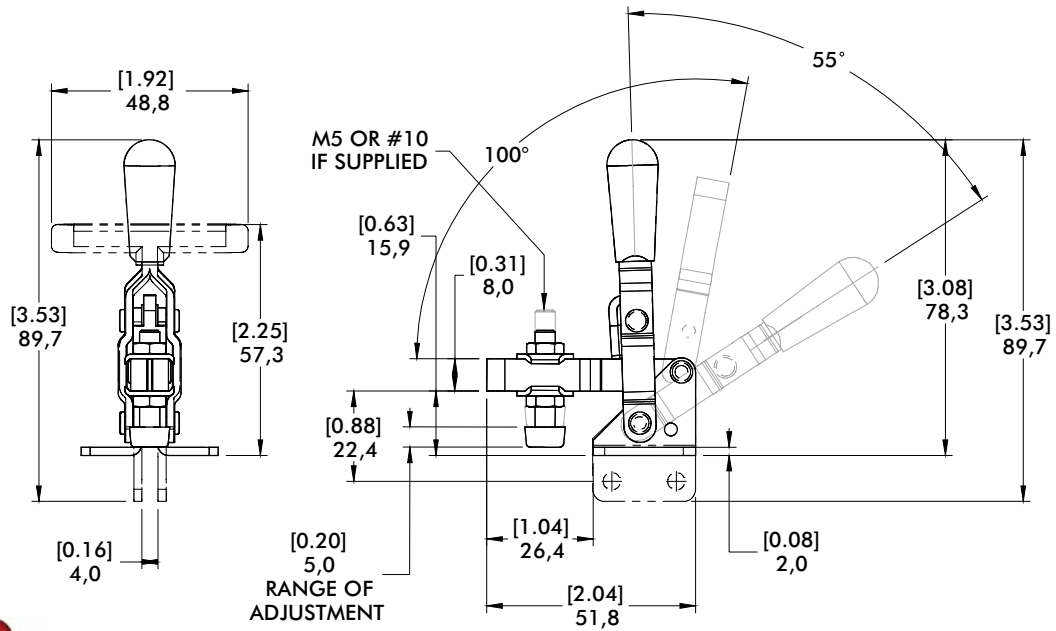
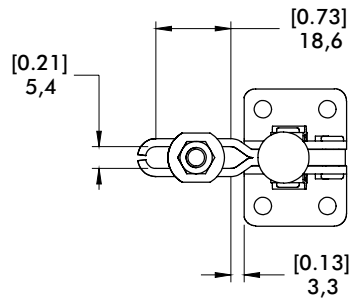
## Holding Capacities



Model	X	X1	X2	Y	±HC1	±HC2	±EF(X1):AF	±EF(X2):AF
U/UB				[2.25] 57	[100lbf.] 440N	[55lbf.] 245N	9:1	6:1
TU	[0.87] 22	[1.06] 27	[1.75] 44,5	[1.38] 35			8.4:1	4:4:1
USS				[2.25] 57	[125lbf.] 560N	[60lbf.] 270N	9:1	6:1

Dimensions shown "mm [inch]" ± HC = Holding Capacity, EF = Exerting Force, AF = Applied Force  
See page MC-TEC-4 for additional information.

**201-U**  
Flanged Base  
U-Bar



**201-UB**  
Straight Base

