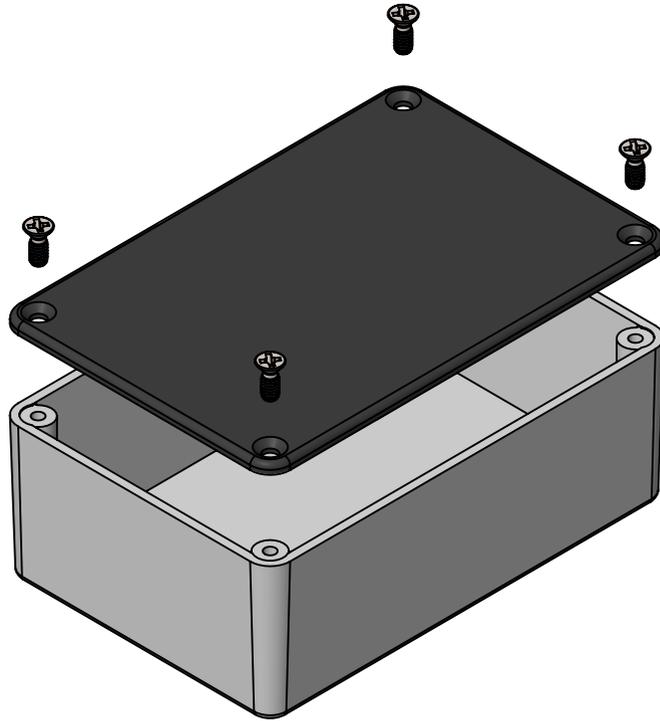
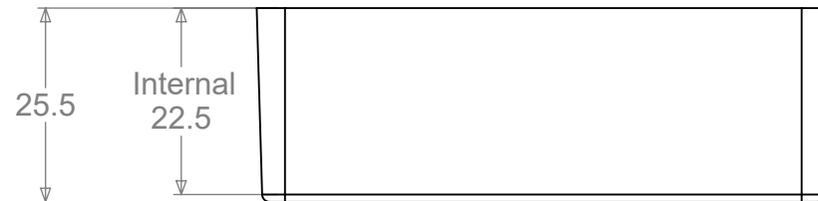
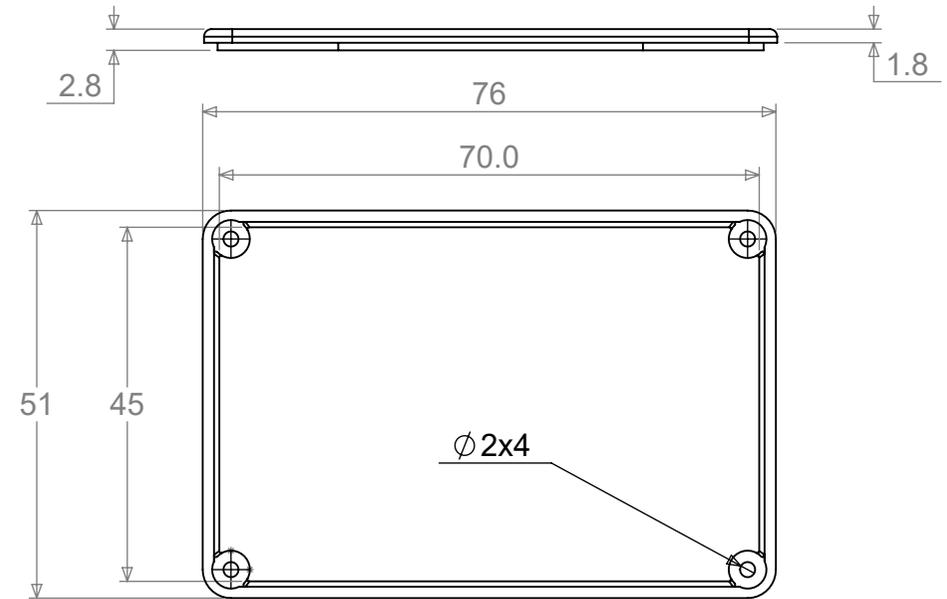


REV	DATE	ECN NUMBER	ECR COMMENT
005	21 Jul 2020	C04677	
004	07 Jul 2020	C04677	ADD RAL NUMBER AND COLOUR DESCRIPTION



PART NUMBER	COLOUR	RAL No	RAL COLOUR
479-0140-0	CLEAR	N/A	CLEAR
479-0140-1	BLACK	RAL9005	JET BLACK
479-0140-2	BLUE	RAL5002	ULTRAMARINE BLUE
479-0140-3	BROWN	RAL8011	NUT BROWN
479-0140-4	GREEN	RAL6024	TRAFFIC GREEN
479-0140-5	RED	RAL3020	TRAFFIC RED
479-0140-6	WHITE	RAL9003	SIGNAL WHITE
479-0140-7	YELLOW	RAL1021	COLZA YELLOW
479-0140-8	PURPLE	RAL4005	BLUE LILAC
479-0140-9	GREY	RAL7046	TELEGREY2
479-0140-10	ORANGE	RAL2003	PASTEL ORANGE
479-0140-11	CREAM	RAL1015	LIGHT IVORY



- INJECTION MOULDED ENCLOSURE
- DIMENSIONS 76 X 51 X 28mm
- IMPACT RESISTANT ABS
- IP54 RATED
- RoHS & REACH COMPLIANT
- SMOOTH GLOSSY SURFACE FINISH
- LID SECURED BY SELF-TAPPING SCREWS
- EASILY MACHINED

### OPTIONAL EXTRAS

Self adhesive feet 12mm round x 4mm deep part no - FIX173  
Also available in anti-static material

+44(0)1724 273200      www.dem-uk.com

**PROPRIETARY AND CONFIDENTIAL:**  
THE INFORMATION CONTAINED IN THIS DRAWING IS THE SOLE PROPERTY OF ALPHA 3 MANUFACTURING. ANY REPRODUCTION IN PART OR AS A WHOLE WITHOUT THE WRITTEN PERMISSION OF ALPHA 3 MANUFACTURING IS PROHIBITED.  
DEM Manufacturing is a division of Alpha 3 Manufacturing LTD  
DEM Manufacturing, Deltron Emcon House, Hargreaves Way, Sawcliffe Ind. Park, Scunthorpe, North Lincolnshire, DN15 8RF, UK

UNLESS OTHERWISE SPECIFIED DIMENSIONS ARE IN MILLIMETRES  
LINEAR & RADIAL TOLERANCES:  
**NO DECIMAL PLACES ±0.5mm**  
**1 DECIMAL PLACE ±0.25mm**  
**2 DECIMAL PLACES ±0.125mm**  
**ANGULAR TOLERANCE: ±1°**

**IF IN DOUBT ASK! DO NOT SCALE DRAWING!**  
FINISH: SMOOTH / GLOSSY  
MATERIAL: ABS  
THE FINISHED PRODUCT SHOULD BE CLEAN AND FREE FROM ALL LIQUIDS AND DEBRIS. SURFACES SHOULD BE OF UNIFORM APPEARANCE FREE FROM SHARP EDGES, BURRS AND CORROSION

AUTHOR: Shaun Barron  
EDITOR: DT  
APPROVER: PA  
THIRD ANGLE PROJECTION  
SHEET 1 OF 1  
SCALE 1:1 A4

TITLE: ABS ENCLOSURE  
FILE: 479-0140 SPECIFICATION  
PART: LID AND BASE ENCLOSURE  
ISSUE/REV: 005  
EDIT DATE: 20/07/2020  
RELEASED  
RELEASE DATE: 21/07/2020