

Full Metal Hoods

DTZK+D-Sub Solder Cup

TECHNICAL SPECIFICATIONS

D-Sub Hood:

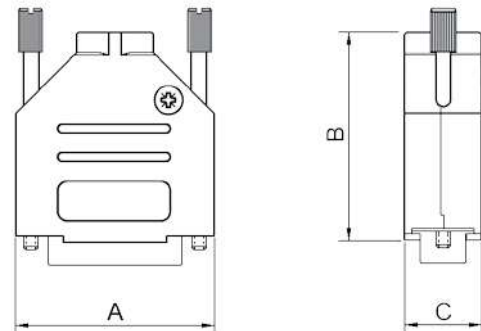
Material:	Zinc, Nickel Plated
Operating Temperature:	-40°C to +120°C
Cable Entry:	Top Entry
Thumbscrews:	UNC 4-40 (Standard)
Cable O.D:	Up to 11,5mm

Standard D-Sub Solder Cup:

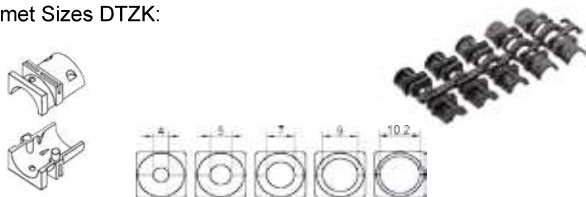
Insulator:	Glass filled TP, UL94 V-0
Shell:	Steel, Tin Plated
Contact pins:	Copper Alloy Gold Flash over Ni.
Stamped & Formed Pins	Class 3, 100 inserts min.
Contact Plating:	Gold flash over Nickel
Operating Temperature:	-55°C to +85°C
Withstanding voltage:	>1000V Rms to 50 Hz for 1 minute
Current Rating:	5A
Insulator resistance:	>5000MΩ min.

Features:

- Available in sizes 9-15-25-37
- 360° EMI Shielding
- Re-openable



Grommet Sizes DTZK:



Size DTZK	Dim A	Dim B	Dim C
9-way	31,0	39,5	15,0
15-way	39,5	41,5	15,0
25-way	53,5	48,5	15,0
37-way	71,0	53,0	15,0

Ordering information:

Standard D-Sub Connector Kits

Size:	P/N - Kitted:	Description:
9-way	L17DTZK09+L717SDE09P	Solder Cup, 9-Male
15-way	L17DTZK15+L717SDA15P	Solder Cup, 15-Male
25-way	L17DTZK25+L717SDB25P	Solder Cup, 25-Male
37-way	L17DTZK37+L717SDC37P	Solder Cup, 37-Male

Size:	P/N - Kitted:	Description:
9-way	L17DTZK09+L77SDE09S	Solder Cup, 9-Female
15-way	L17DTZK15+L77SDA15S	Solder Cup, 15-Female
25-way	L17DTZK25+L77SDB25S	Solder Cup, 25-Female
37-way	L17DTZK37+L77SDC37S	Solder Cup, 37-Female