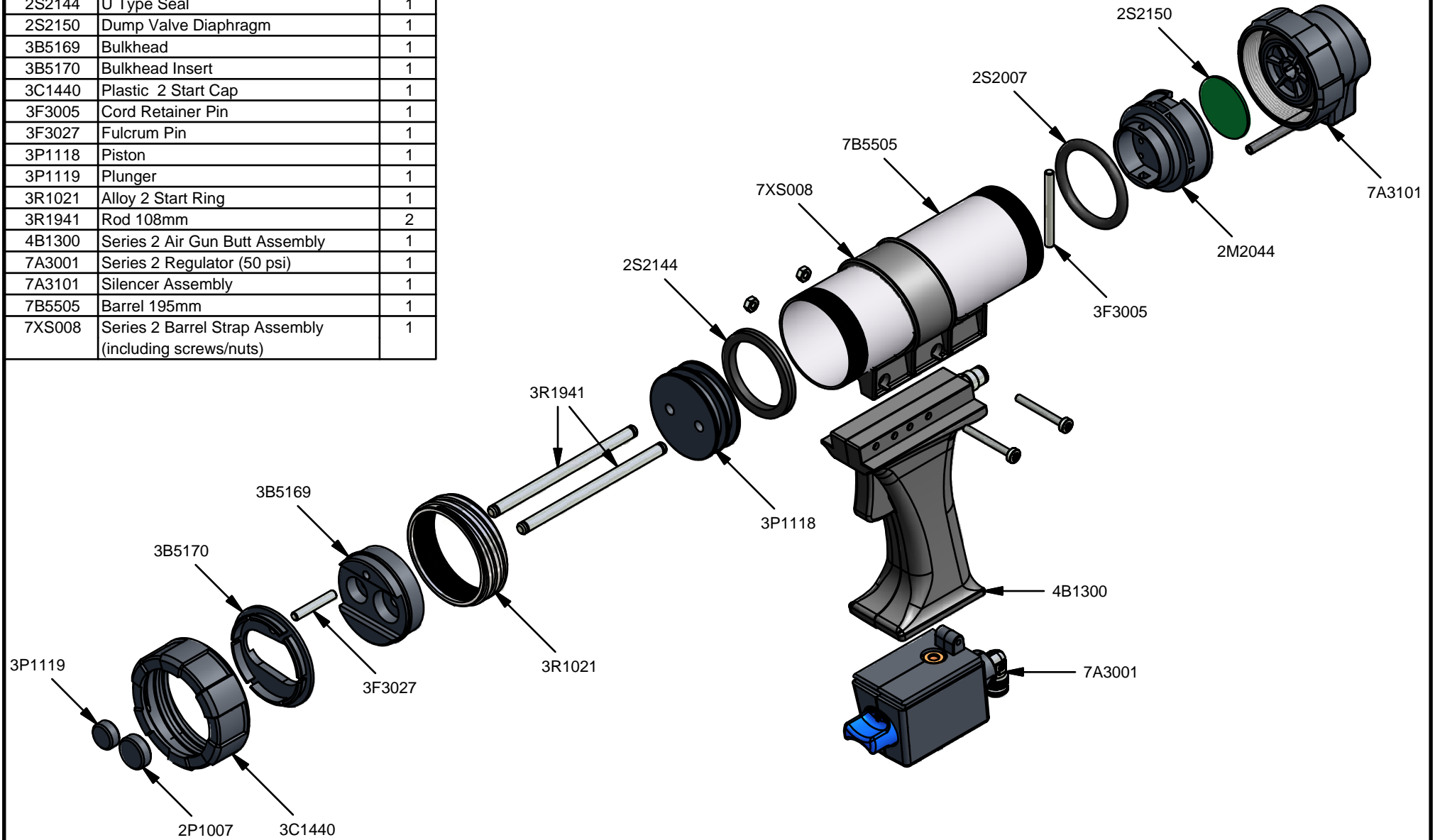


| Parts List | | |
|------------|---|-----|
| STOCK No | DESCRIPTION | QTY |
| 2M2044 | Dump Valve Body | 1 |
| 2P1007 | Plunger Plastic 19mm | 1 |
| 2S2007 | O Ring | 1 |
| 2S2144 | U Type Seal | 1 |
| 2S2150 | Dump Valve Diaphragm | 1 |
| 3B5169 | Bulkhead | 1 |
| 3B5170 | Bulkhead Insert | 1 |
| 3C1440 | Plastic 2 Start Cap | 1 |
| 3F3005 | Cord Retainer Pin | 1 |
| 3F3027 | Fulcrum Pin | 1 |
| 3P1118 | Piston | 1 |
| 3P1119 | Plunger | 1 |
| 3R1021 | Alloy 2 Start Ring | 1 |
| 3R1941 | Rod 108mm | 2 |
| 4B1300 | Series 2 Air Gun Butt Assembly | 1 |
| 7A3001 | Series 2 Regulator (50 psi) | 1 |
| 7A3101 | Silencer Assembly | 1 |
| 7B5505 | Barrel 195mm | 1 |
| 7XS008 | Series 2 Barrel Strap Assembly (including screws/nuts) | 1 |



CBA 50 MR1/2

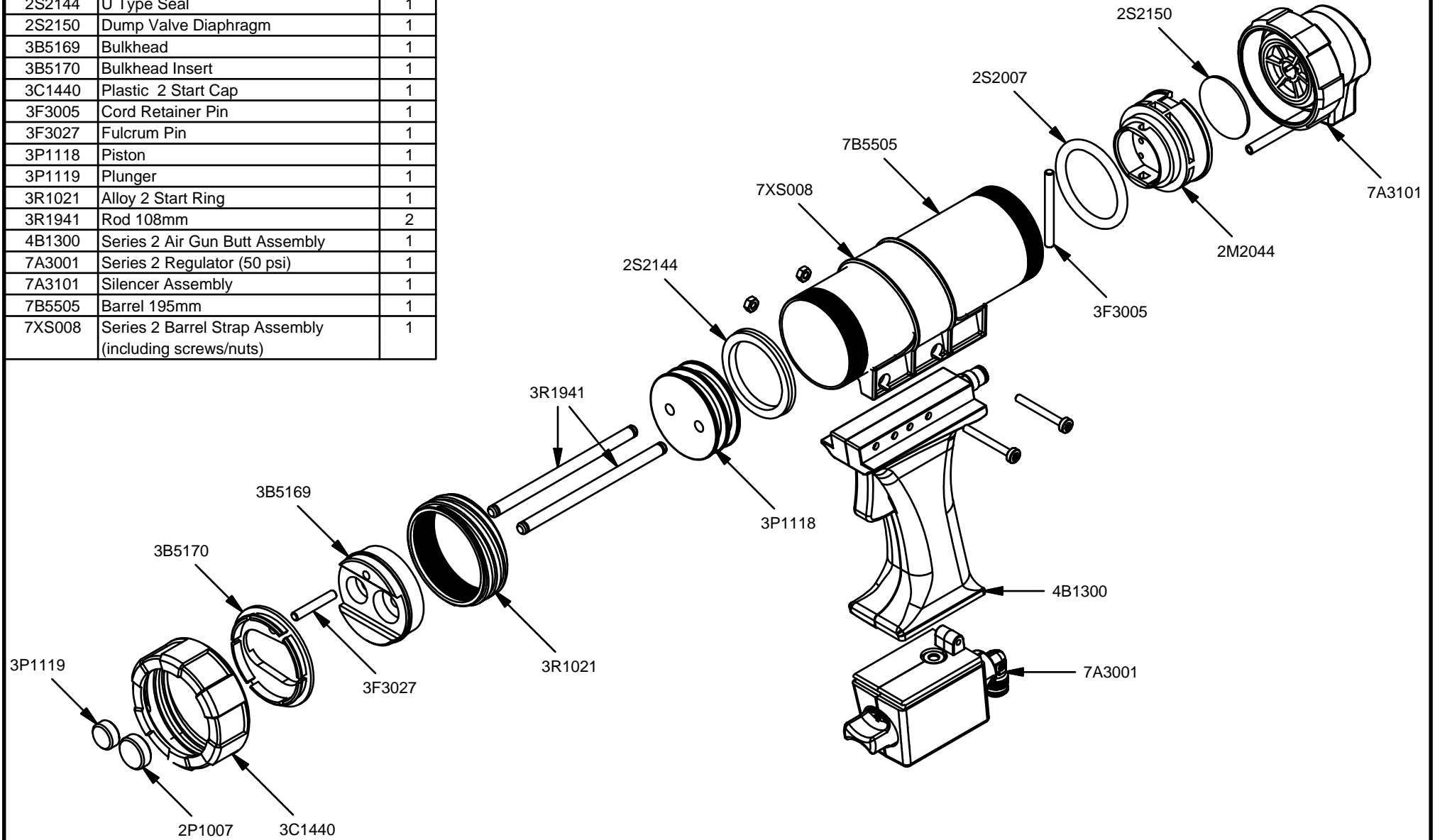


www.pccox.co.uk
 sales@pccox.co.uk
 TEL:44(0)1635 264500

REV
 A

DATE
 20/04/2005

| Parts List | | |
|------------|---|-----|
| STOCK No | DESCRIPTION | QTY |
| 2M2044 | Dump Valve Body | 1 |
| 2P1007 | Plunger Plastic 19mm | 1 |
| 2S2007 | O Ring | 1 |
| 2S2144 | U Type Seal | 1 |
| 2S2150 | Dump Valve Diaphragm | 1 |
| 3B5169 | Bulkhead | 1 |
| 3B5170 | Bulkhead Insert | 1 |
| 3C1440 | Plastic 2 Start Cap | 1 |
| 3F3005 | Cord Retainer Pin | 1 |
| 3F3027 | Fulcrum Pin | 1 |
| 3P1118 | Piston | 1 |
| 3P1119 | Plunger | 1 |
| 3R1021 | Alloy 2 Start Ring | 1 |
| 3R1941 | Rod 108mm | 2 |
| 4B1300 | Series 2 Air Gun Butt Assembly | 1 |
| 7A3001 | Series 2 Regulator (50 psi) | 1 |
| 7A3101 | Silencer Assembly | 1 |
| 7B5505 | Barrel 195mm | 1 |
| 7XS008 | Series 2 Barrel Strap Assembly (including screws/nuts) | 1 |



CBA 50 MR1/2



www.pccox.co.uk
 sales@pccox.co.uk
 TEL:44(0)1635 264500

REV
 A

DATE
 20/04/2005