

L - 0.375 LONG BUSHING

ML - "M" - GOLD PLATED SPRINGS WITH GOLD ALLOY CONTACTS ON RING SPRINGS AND SHUNT SPRINGS (WHEN SHUNTS ARE USED)

"L" - 0.375 LONG BUSHING

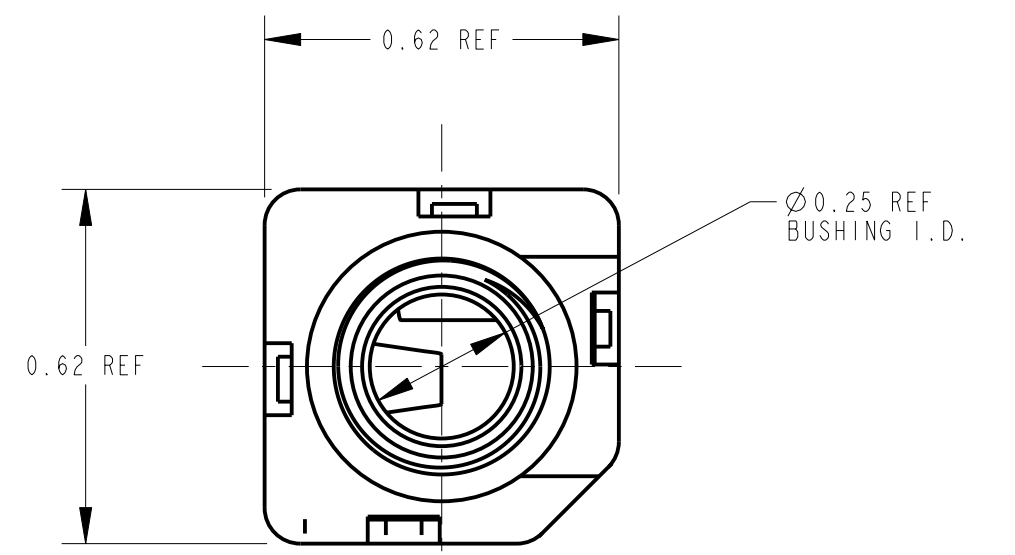
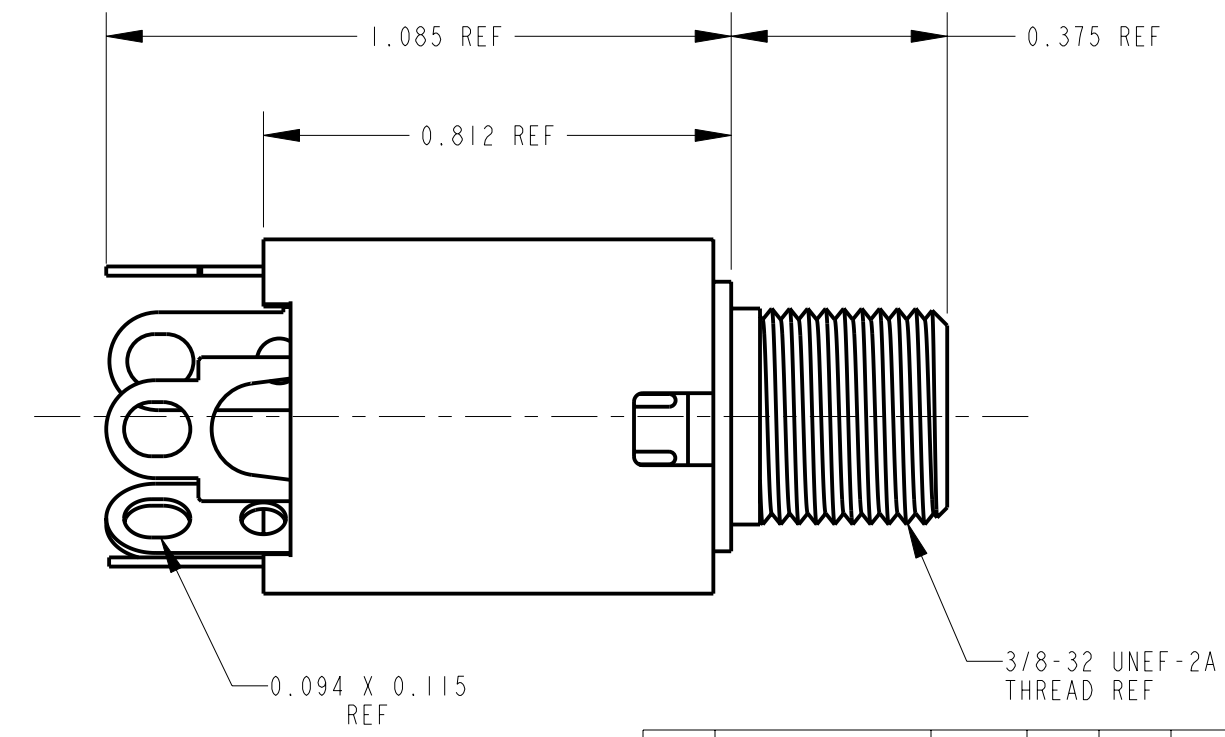
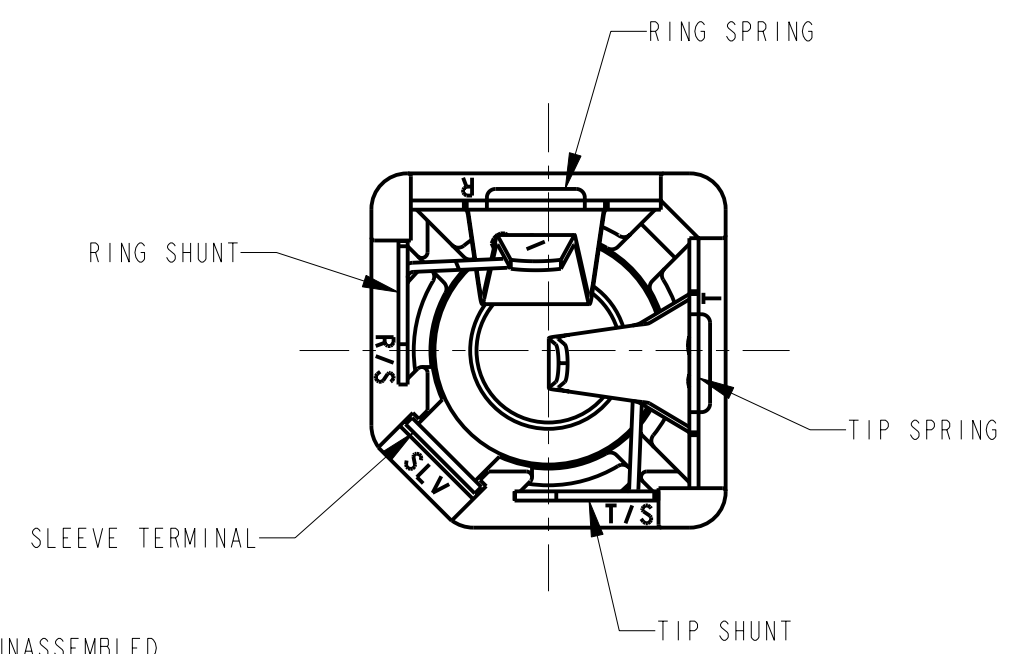
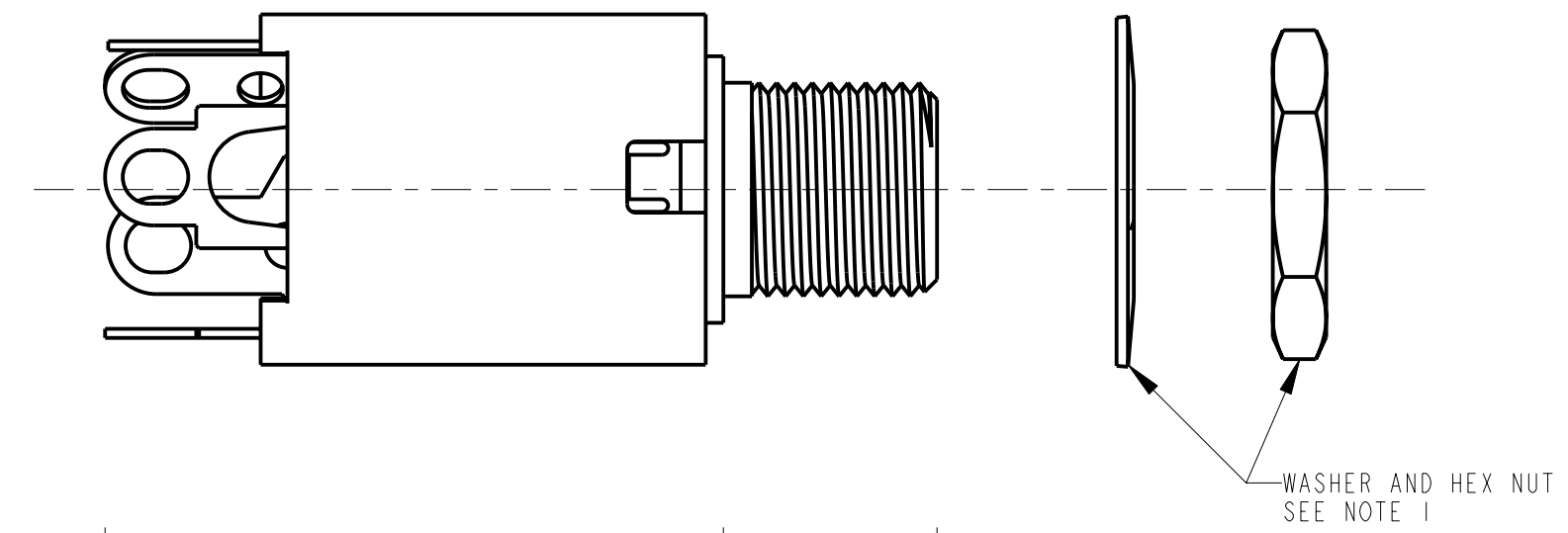
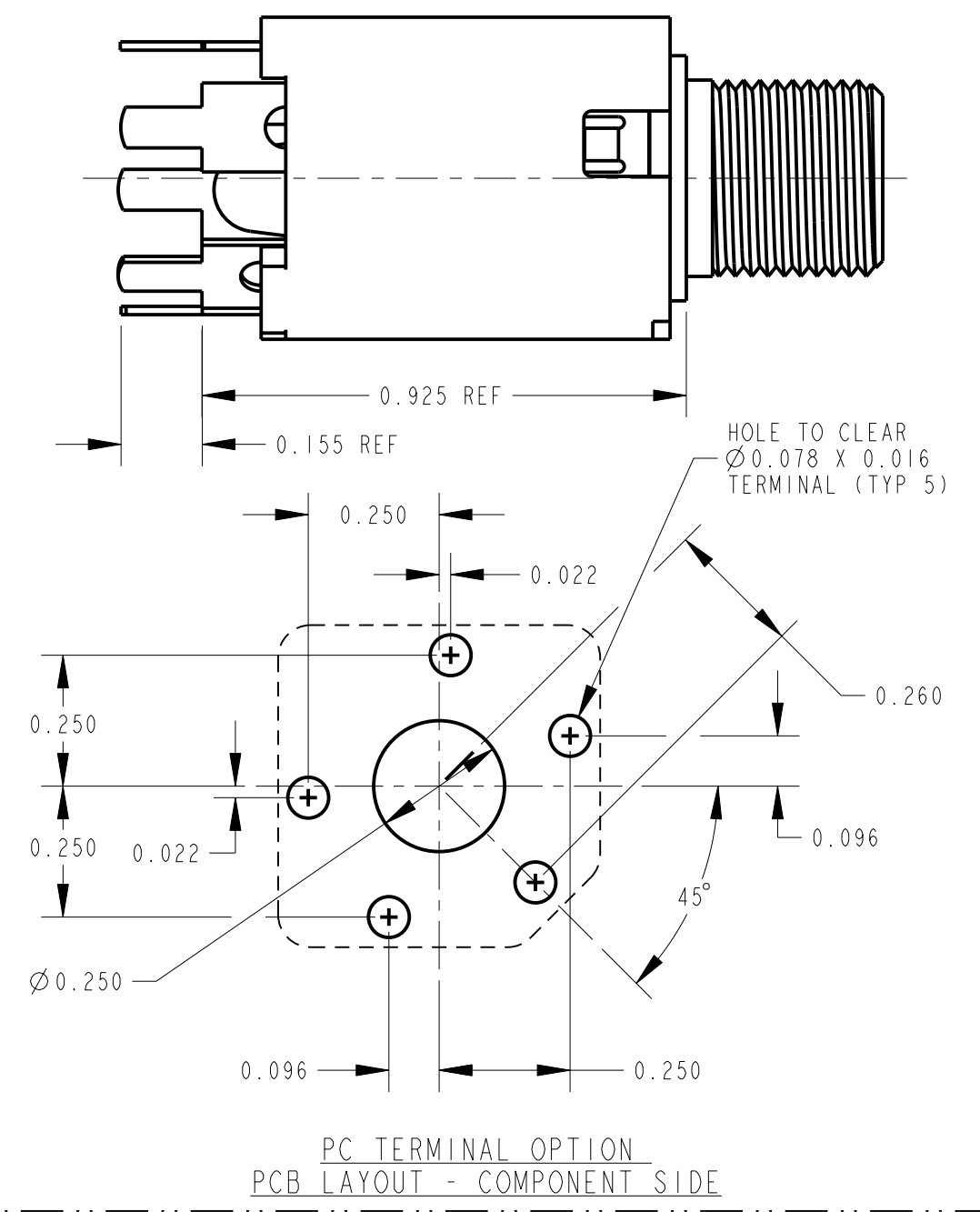
11

X R0HS COMPLIANT

TERMINAL OPTIONS:  
 BLANK - SOLDER TERMINAL  
 PC - 0.078 WIDE PC TAILS  
 PCS - SNAP-IN PC TAILS

CIRCUITRY:

1 - TIP OPEN CIRCUIT		TIP SLEEVE
2A - TIP CLOSED CIRCUIT		TIP SLEEVE
2B - TIP & RING OPEN CIRCUIT		RING TIP SLEEVE
3 - TIP OPEN CIRCUIT AND ISOLATE "MAKE" CIRCUIT		TIP SLEEVE
3B - TIP CLOSED CIRCUIT AND RING OPEN CIRCUIT (I-C TRANSFER)		RING TIP SLEEVE
3D - 1 TIP CLOSED CIRCUIT AND 1 TIP OPEN CIRCUIT		TIP TIP SLEEVE
3E - TIP OPEN CIRCUIT AND ISOLATED "BREAK" CIRCUIT		TIP SLEEVE
3F - TIP OPEN CIRCUIT AND RING CLOSED CIRCUIT		RING TIP SLEEVE
4B - TIP & RING CLOSED CIRCUIT		RING TIP SLEEVE



- NOTES:
- HARDWARE SHIPPED UNASSEMBLED.
  - MAXIMUM PANEL THICKNESS: 0.25
  - MATERIALS:  
 HOUSING - POLYESTER GLASS FILLED, BLACK  
 BUSHING - BRASS, NICKEL PLATED  
 SLEEVE TERMINAL - BRASS, LEAD FREE ELECTRO-TIN PLATED  
 SPRINGS - NICKEL SILVER, LEAD FREE ELECTRO-TIN PLATED  
 LIFTERS - NYLON (113 & 113E CIRCUIT OPTIONS)  
 WASHER - STEEL, NICKEL PLATED  
 NUT - BRASS, NICKEL PLATED
  - THIS PRODUCT IS R0HS COMPLIANT.

CUSTOMER DRAWING

★ STAR SYMBOL DENOTES CRITICAL DIMENSION		THIS DRAWING DESCRIBES A DESIGN CONSIDERED PROPRIETARY IN NATURE, DEVELOPED AND MANUFACTURED BY SWITCHCRAFT INC. AND IS RELEASED ON A CONFIDENTIAL BASIS FOR IDENTIFICATION PURPOSES ONLY.				
UNLESS OTHERWISE SPECIFIED		SIZE	WIDTH	MULT	LBS/M	TEMPER
1. ALL DIMENSIONS IN INCHES - TWO PLACE DECIMALS ±0.01 - THREE PLACE DECIMALS ±0.005 - ANGLES ±1° - ALL DIA. CONCENTRIC WITHIN 0.005 T.I.R.		FINISH		MATERIAL SPEC No.		
2. FEATURES ON THE SAME CENTERLINE MUST BE ALIGNED WITHIN ±0.002		FIRST USED ON		SCALE 3:1		
3. REMOVE ALL BURRS		DATE DRAWN	BY	CHKD	APVD	
DO NOT SCALE DRAWING		26-Oct-06	TJK	TJK	TJK	
REVISIONS		NAME #3/8-32 THREADED BUSHING - LONG 0.25 I.D. HI-D JACK ASS'Y, R0HS		PART No. L110X SERIES ML110X SERIES		
A	26032	3-25-11	TJK	TJK		
REV	ECO NUMBER	DATE	BY	APVD		

**Switchcraft**  
SHEET | OF |  
REV A