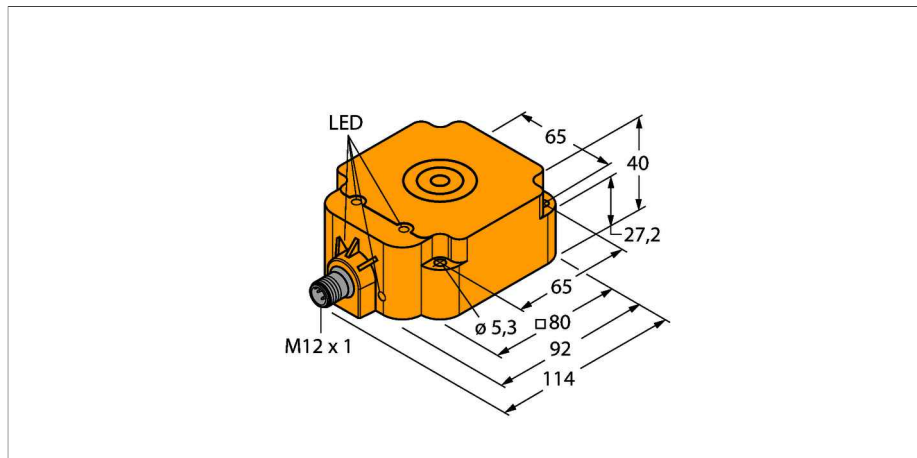


# NI75U-Q80-AP6X2-H1141

## Inductive sensor



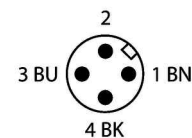
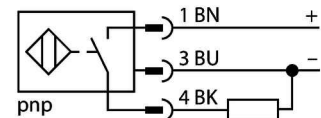
### Features

- Rectangular, height 40 mm
- Active face on top
- Plastic, PBT-GF30-V0
- 4 LEDs for optimum view on supply voltage and switching state from any position
- Factor 1 for all metals
- Increased switching distance
- Protection class IP68
- Resistant to magnetic fields
- Auto-compensation protects against pre-attenuation
- Partially embeddable
- DC 3-wire, 10...30 VDC
- NO contact, PNP output
- M12 x 1 male connector

### Technical data

<b>Type</b>	NI75U-Q80-AP6X2-H1141
ID number	1625855
Rated switching distance	75 mm
Mounting conditions	Non-flush, partially embeddable
Repeat accuracy	≤ 2 % of full scale
Temperature drift	≤ ± 10 %
Hysteresis	3...15 %
Ambient temperature	-25...+70 °C
Operating voltage	10...30 VDC
Residual ripple	≤ 10 % U <sub>s</sub>
DC rated operational current	≤ 200 mA
No-load current	≤ 15 mA
Residual current	≤ 0.1 mA
Isolation test voltage	≤ 0.5 kV
Short-circuit protection	yes / Cyclic
Voltage drop at	≤ 1.8 V
Wire breakage/Reverse polarity protection	yes / Complete
Output function	3-wire, NO contact, PNP
Protection class	☐
Switching frequency	0.25 kHz
<b>Design</b>	Rectangular, Q80
Dimensions	92 x 80 x 40 mm
Housing material	Plastic, PBT-GF30-V0, Yellow
Active area material	PBT-GF30-V0, yellow
Tightening torque fixing screw	4 Nm
Electrical connection	Connector, M12 x 1
Vibration resistance	55 Hz (1 mm)

### Wiring diagram

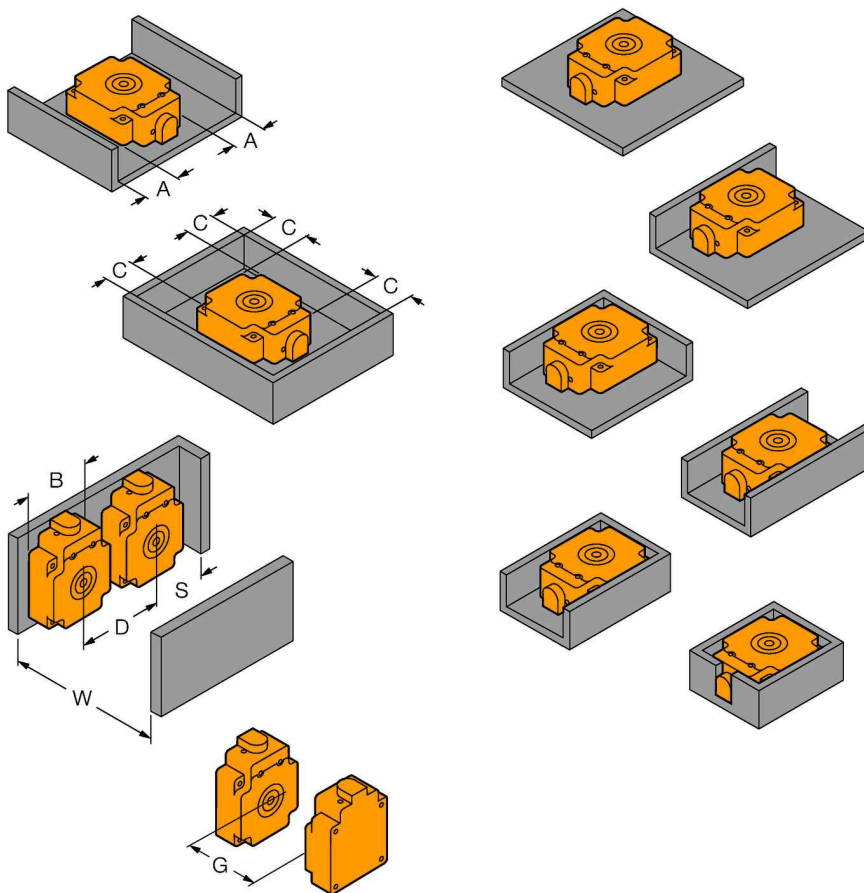


Inductive sensors detect metal objects contactless and wear-free. Due to the patented multi-coil system, *upro*<sup>®</sup>+ sensors have distinct advantages over conventional sensors. They excel in largest switching distances, maximum flexibility and operational reliability as well as efficient standardization.

## Technical data

Shock resistance	30 g (11 ms)
Protection class	IP68
MTTF	874 years acc. to SN 29500 (Ed. 99) 40 °C
<b>Power-on indication</b>	LED green
Switching state	LED yellow

## Mounting instructions/Description



Distance D	240 mm
Distance W	225 mm
Distance S	60 mm
Distance G	450 mm
Distance A	20 mm
Distance C	80 mm
Width active area B	80 mm

Mounting on metal:  $S_r = 75$  mm  
 1-side mounting:  $S_r = 50$  mm  
 2-side mounting:  $S_r = 45$  mm  
 3-side mounting:  $S_r = 40$  mm  
 4-side mounting:  $S_r = 40$  mm  
 recessed mounting without metal baseplate:  $S_r = 65$  mm  
 The values stated relate to a 1 mm thick steel plate.

Switching distances with different target sizes:  
 Sheet steel 150 x 150 mm:  $S_n = 65$  mm  
 Sheet steel 60 x 60 mm:  $S_n = 50$  mm  
 Sheet steel 40 x 40 mm:  $S_n = 40$  mm  
 Sheet steel 120 x 40 mm:  $S_n = 45$  mm (simulation of a skid runner)

## Wiring accessories

Type	ID number	
RKC4T-2/TEL	6625010	Connection cable, female M12, straight, 3-pin, cable length: 2 m, sheath material: PVC, black; cULus approval; other cable lengths and qualities available, see <a href="http://www.turck.com">www.turck.com</a>

