



Relays, Contactors & Switches > Switches > Rotary Switches



Number of Positions: 4

Actuator Style: **Long Thin Knob**

Switch Style: **Rotary**

Switch Type: **Rotary**

Number of Switches: 4

Features

Product Type Features

Removable Tape Seal	Without
Product Type	Switch
Illuminated	No
Actuator Style	Long Thin Knob
Switch Style	Rotary
Switch Type	Rotary
Sealed	No
Code Type	3 Poles
Angle of Throw	15

Configuration Features

Number of Positions	4
Number of Switches	4

Electrical Characteristics

Voltage Rating	20 VDC
----------------	--------

Contact Features

Solder Tail Contact Plating	Gold over Nickel
Contact Mating Area Plating Material	Gold
Contact Base Material	Brass

Mechanical Attachment

Mounting Type	Printed Circuit Board
---------------	-----------------------

Mounting Angle	Straight
----------------	----------

Housing Features

Housing Material	Epoxy
------------------	-------

Usage Conditions

Oil-Tight	No
-----------	----

Other

Comment	Fixed
---------	-------

Product Compliance

[For compliance documentation, visit the product page on TE.com>](#)

EU RoHS Directive 2011/65/EU	Not Compliant
------------------------------	---------------

EU ELV Directive 2000/53/EC	Compliant with Exemptions
-----------------------------	---------------------------

China RoHS 2 Directive MIIT Order No 32, 2016	No Restricted Materials Above Threshold
---	---

EU REACH Regulation (EC) No. 1907/2006	Current ECHA Candidate List: JUL 2019 (201) Candidate List Declared Against: JUN 2016 (169) Does not contain REACH SVHC
--	---

EU REACH Regulation (EC) No. 1907/2006	Current ECHA Candidate List: JUL 2019 (201) Candidate List Declared Against: JUN 2016 (169)
--	--

Halogen Content	Not Low Halogen - contains Br or Cl > 900 ppm.
-----------------	--

Solder Process Capability	Wave solder capable to 265°C
---------------------------	------------------------------

Product Compliance Disclaimer

This information is provided based on reasonable inquiry of our suppliers and represents our current actual knowledge based on the information they provided. This information is subject to change. The part numbers that TE has identified as EU RoHS compliant have a maximum concentration of 0.1% by weight in homogenous materials for lead, hexavalent chromium, mercury, PBB, PBDE, DBP, BBP, DEHP, DIBP, and 0.01% for cadmium, or qualify for an exemption to these limits as defined in the Annexes of Directive 2011/65/EU (RoHS2). Finished electrical and electronic equipment products will be CE marked as required by Directive 2011/65/EU. Components may not be CE marked. Additionally, the part numbers that TE has identified as EU ELV compliant have a maximum concentration of 0.1% by weight in homogenous materials for lead, hexavalent chromium, and mercury, and 0.01% for cadmium, or qualify for an exemption to these limits as defined in the Annexes of Directive 2000/53/EC (ELV). Regarding the REACH Regulations, TE's information on SVHC in articles for this part number is still based on the European Chemical Agency (ECHA) 'Guidance on requirements for substances in articles' (Version: 2, April 2011), applying the 0.1% weight on weight concentration threshold at the finished product level. TE is aware of the European Court of Justice ruling of September 10th, 2015 also known as O5A (Once An Article Always An Article) stating that, in case of 'complex object', the threshold for a SVHC must be applied to both the product as a whole and simultaneously to each of the articles forming part of its composition. TE has evaluated this ruling based on the new ECHA "Guidance on requirements for substances in articles" (June 2017, version 4.0) and will be updating its statements accordingly.


Compatible Parts




TE Model / Part # 1825535-1
MRJ11204



TE Model / Part # 1825537-1
MRJE11204

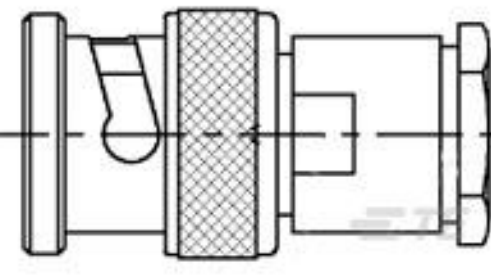


TE Model / Part # 1825537-2
MRJE2604

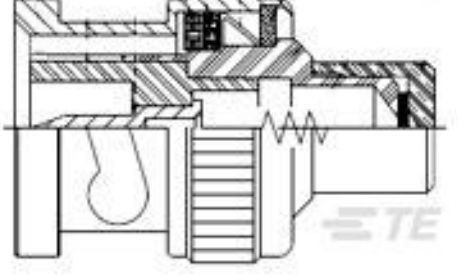


TE Model / Part # 1825535-3
MRJ3404

Customers Also Bought



TE Model / Part #1-1337421-0
BNC Str Plg MC 50Ohm Silver Pl




TE Model / Part #1-1337463-0
BNC Plg Term 50Ohm Silver Pltd



TE Model / Part #1337771-8
50 OHM COAX BNC STR PLUG P99-E



TE Model / Part #1337771-4
50 OHM COAX BNC STR PLUG STR P



TE Model / Part #4-6437630-0
FTD59G04=LOCKING TOGGLE




TE Model / Part #1622385-1
LR1 1% 220K



TE Model / Part #1-1478903-0
SMA STR PLG DS RG402 GSS



TE Model / Part #1-1478966-0
SMA B/HD SKT RCPT GSS



TE Model / Part #3-6437630-9
FTN5904=LOCKING TOGGLE



TE Model / Part #1825537-2
MRJE2604

Documents

Product Drawings

MRJE3404

English

CAD Files

3D PDF



3D

Customer View Model

[ENG_CVM_CVM_1825537-3_A.2d_dxf.zip](#)

English

Customer View Model

[ENG_CVM_CVM_1825537-3_A.3d_igs.zip](#)

English

Customer View Model

[ENG_CVM_CVM_1825537-3_A.3d_stp.zip](#)

English