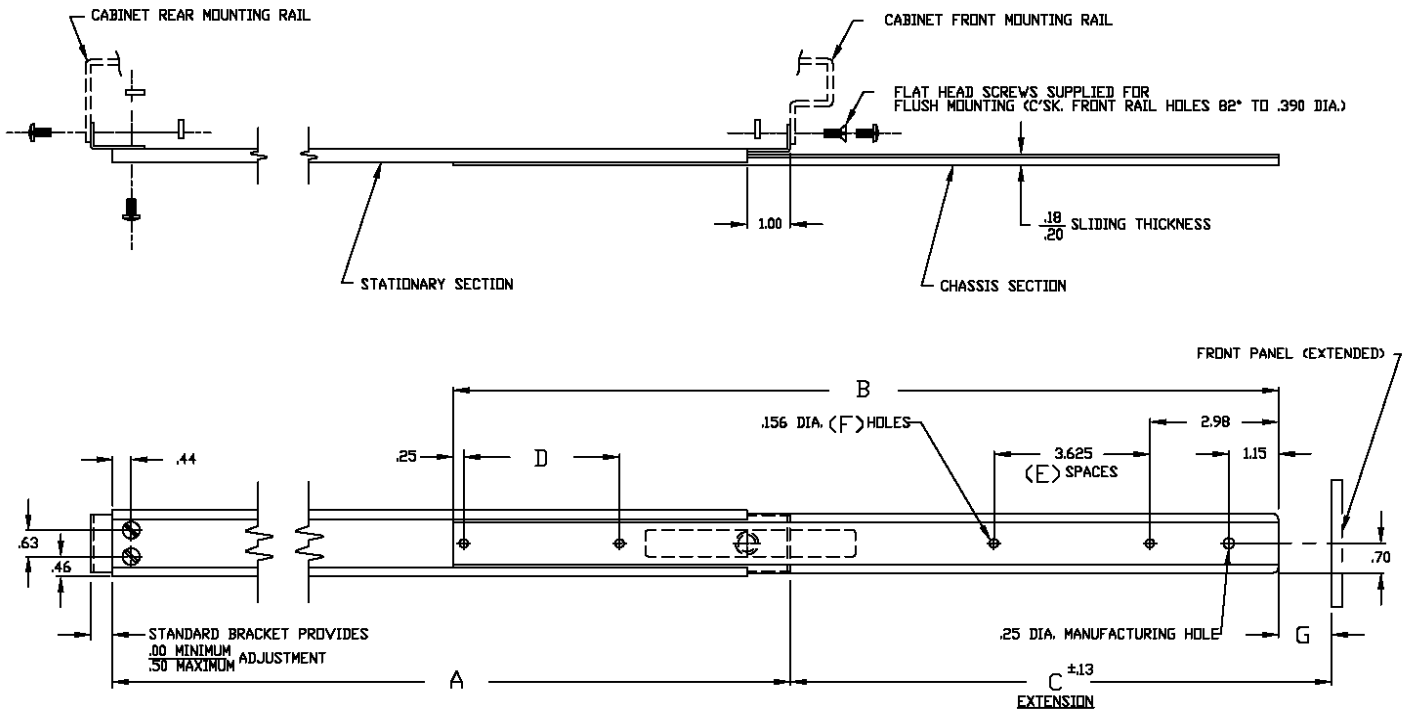


C-3700 Two Section Slide



**Ultra-Thin Solid Bearing Slide*

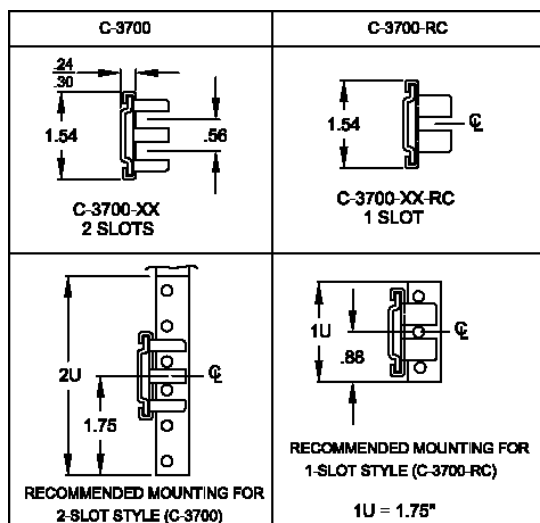


Catalog Number	A	B	C (MIN)	C (MAX)	D	E	F	G (MIN)	G (MAX)	Load Capacity
C-3700-12	12.00	10.13	6.22	7.45	NONE	NONE	2	0.00	1.23	85 LBS.
C-3700-14	14.00	12.13	7.72	8.95	NONE	NONE	2	0.00	1.23	80 LBS.
C-3700-16	16.00	14.13	9.22	10.45	NONE	1	3	0.00	1.23	80 LBS.
C-3700-18	18.00	16.13	10.72	11.95	NONE	1	3	0.00	1.23	75 LBS.
C-3700-20	20.00	18.13	12.22	13.45	NONE	2	4	0.00	1.23	75 LBS.
C-3700-22	22.00	20.13	13.22	14.45	NONE	2	4	0.00	1.23	70 LBS.
C-3700-24	24.00	22.13	14.72	15.95	NONE	2	4	0.00	1.23	70 LBS.
C-3700-26	26.00	24.13	16.22	17.45	3.625	3	6	0.00	1.23	65 LBS.
C-3700-28	28.00	26.13	17.22	18.45	3.625	3	6	0.00	1.23	65 LBS.
C-3700-30	30.00	28.13	18.72	19.45	3.625	3	6	0.00	1.23	60 LBS.

TO ORDER, SPECIFY



Length AR - Automatic Release if desired
AND/OR
RC - See chart below



Notes

1. Finish: All standard slides are coated with Poxylube™ dry film lubricant.
2. All standard slides are designed to lock-out in the extended position and are available with an optional automatic release if lock-out is not desirable.
3. Standard hardware packages include all the hardware necessary to mount your Chassis Trak® slides:
 - Rear mounting bracket (B-217 or B-161) included
 - Bar Nuts (CA8056-06-0017 or CA8056-06-0014)
 - #6-32 screws and keps nuts to mount chassis section
 - #10-32 screws and keps nuts to mount slide in rack
4. All sliding members of the standard slide are made from cold rolled steel.
5. All Chassis Trak® solid bearing slides are supplied with a quick disconnect feature.
6. Optional mounting patterns, slide lengths and extensions are available.
7. For optional mounting brackets see page 34.

Optional Mounting Brackets



Matrix For Solid Bearing Slides & Appropriate Rear Mounting Brackets with Range of Extension

	B-217*	B-217-1.5	B-217-2	B-217-2.5	B-217-3	B-217-3.5	B-217-4	B-308	B-793
C-300-D	0 to .50	.25 to .75	.75 to 1.25	1.25 to 1.75	1.75 to 2.25	2.25 to 2.75	2.75 to 3.25	0 to 6.00	0 to 6.00
C-300-S	0 to .50	.25 to .75	.75 to 1.25	1.25 to 1.75	1.75 to 2.25	2.25 to 2.75	2.75 to 3.25	0 to 6.00	0 to 6.00
C-874	0 to .50	.25 to .75	.75 to 1.25	1.25 to 1.75	1.75 to 2.25	2.25 to 2.75	2.75 to 3.25		
C-3700	0 to .50	.25 to .75	.75 to 1.25	1.25 to 1.75	1.75 to 2.25	2.25 to 2.75	2.75 to 3.25		

	B-161*	B-161-1.5	B-161-2	B-161-2.5	B-161-3	B-161-3.5	B-161-4	B-309	B-389
C-300-D-RC	0 to .50	.25 to .75	.75 to 1.25	1.25 to 1.75	1.75 to 2.25	2.25 to 2.75	2.75 to 3.25	0 to 6.00	
C-300-S-RC	0 to .50	.25 to .75	.75 to 1.25	1.25 to 1.75	1.75 to 2.25	2.25 to 2.75	2.75 to 3.25	0 to 6.00	
C-300-S-RC-3S									0 to 6.00
C-874-RC	0 to .50	.25 to .75	.75 to 1.25	1.25 to 1.75	1.75 to 2.25	2.25 to 2.75	2.75 to 3.25	0 to 6.00	
C-3700-RC	0 to .50	.25 to .75	.75 to 1.25	1.25 to 1.75	1.75 to 2.25	2.25 to 2.75	2.75 to 3.25	0 to 6.00	

Note brackets are made from 16 gauge C.R.S. — Standard finish: clear zinc commercial plating

*Supplied with standard slides

