

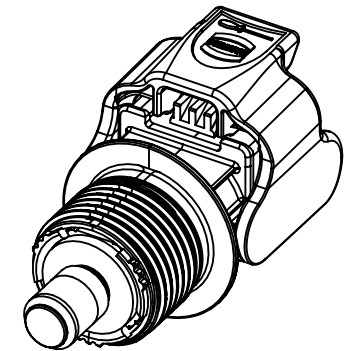
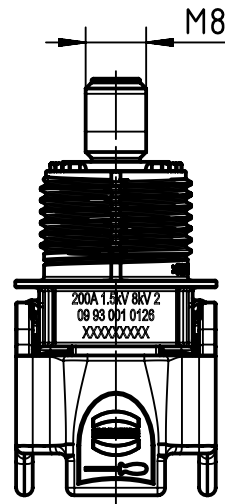
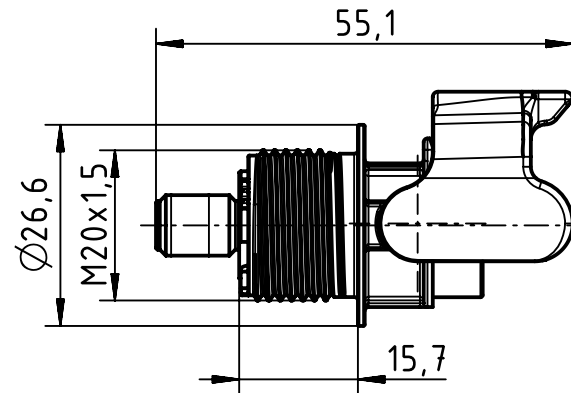
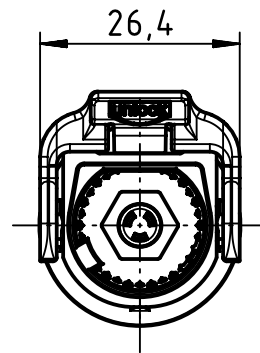
1 2 3 4 5 6

A

B

C

D



	All Dimensions in mm Original Size DIN A4	Scale 1:1		Free size tol.		Ref.			
		Created by DEIMEL		Inspected by GRIEPENSTROH		Standardisation 302077		Date 2021-04-19	
	All rights reserved Department EL PD	Title Han@ S-HSI w. MC M8-red-SLV-UP				State Final Release			
		Type TB				Number 09 93 001 0126		Doc-Key / ECM-Nr. 100937680/UGD/001/B 500000193505	
HARTING D-32339 Espelkamp						Rev. B		Page 1/1	