

GN 565.4 | Arch-shaped handles

Aluminium



- 1
- 2
- 3
- 4
- 5
- 6
- 7
- 8
- 9
- 10
- 11
- 12
- 13
- 14
- 15
- 16
- 17
- 18

MATERIAL

Aluminium. Oval cross section bar.

STANDARD EXECUTIONS

Threaded blind holes, back mounting:

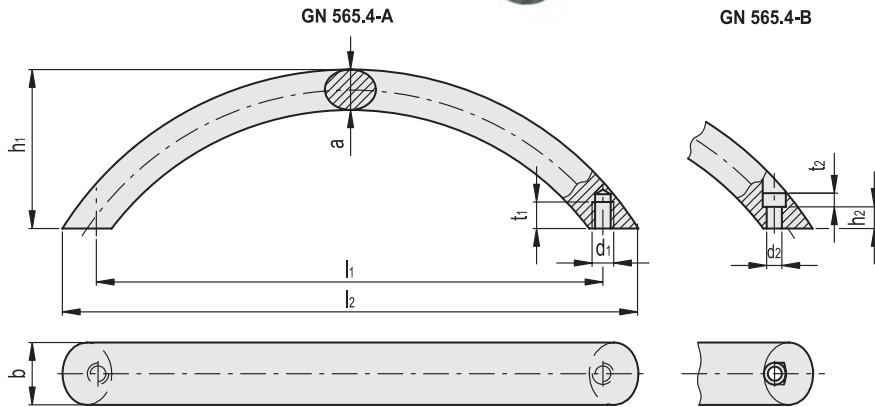
- **GN 565.4-A-BL**: natural aluminium.
- **GN 565.4-A-EL**: anodised aluminium.
- **GN 565.4-A-SW**: epoxy resin coating, RAL 9005 black colour, matte finish.

Pass-through holes for cylindrical-head screws with hexagon socket, front mounting:

- **GN 565.4-B-BL**: natural aluminium.
- **GN 565.4-B-EL**: anodised aluminium.
- **GN 565.4-B-SW**: epoxy resin coating, RAL 9005 black colour, matte finish.

SPECIAL EXECUTIONS ON REQUEST

Different colours.



Code	Description	b	l2	l1	d1	d2	a	h1	h2	t1 min	t2	⚖️
GN.27407	GN 565.4-20-160-A-BL	20	185	160±0.25	M6	-	13	51	-	8.5	-	105
GN.27408	GN 565.4-20-160-A-EL	20	185	160±0.25	M6	-	13	51	-	8.5	-	105
GN.27409	GN 565.4-20-160-A-SW	20	185	160±0.25	M6	-	13	51	-	8.5	-	105
GN.27410	GN 565.4-20-160-B-BL	20	185	160±0.25	-	5.3	13	51	5	-	5	100
GN.27411	GN 565.4-20-160-B-EL	20	185	160±0.25	-	5.3	13	51	5	-	5	100
GN.27412	GN 565.4-20-160-B-SW	20	185	160±0.25	-	5.3	13	51	5	-	5	100
GN.27413	GN 565.4-20-192-A-BL	20	221	192±0.25	M6	-	13	51	-	8.5	-	125
GN.27414	GN 565.4-20-192-A-EL	20	221	192±0.25	M6	-	13	51	-	8.5	-	125
GN.27415	GN 565.4-20-192-A-SW	20	221	192±0.25	M6	-	13	51	-	8.5	-	125
GN.27416	GN 565.4-20-192-B-BL	20	221	192±0.25	-	5.3	13	51	5	-	5	120
GN.27417	GN 565.4-20-192-B-EL	20	221	192±0.25	-	5.3	13	51	5	-	5	120
GN.27418	GN 565.4-20-192-B-SW	20	221	192±0.25	-	5.3	13	51	5	-	5	120
GN.27419	GN 565.4-26-160-A-BL	26	190	160±0.25	M8	-	17	57	-	11	-	190
GN.27420	GN 565.4-26-160-A-EL	26	190	160±0.25	M8	-	17	57	-	11	-	190
GN.27421	GN 565.4-26-160-A-SW	26	190	160±0.25	M8	-	17	57	-	11	-	190
GN.27422	GN 565.4-26-160-B-BL	26	190	160±0.25	-	6.4	17	57	6	-	6	180
GN.27423	GN 565.4-26-160-B-EL	26	190	160±0.25	-	6.4	17	57	6	-	6	180
GN.27424	GN 565.4-26-160-B-SW	26	190	160±0.25	-	6.4	17	57	6	-	6	180
GN.27425	GN 565.4-26-192-A-BL	26	227	192±0.25	M8	-	17	57	-	11	-	215
GN.27426	GN 565.4-26-192-A-EL	26	227	192±0.25	M8	-	17	57	-	11	-	215
GN.27427	GN 565.4-26-192-A-SW	26	227	192±0.25	M8	-	17	57	-	11	-	215
GN.27428	GN 565.4-26-192-B-BL	26	227	192±0.25	-	6.4	17	57	6	-	6	205
GN.27429	GN 565.4-26-192-B-EL	26	227	192±0.25	-	6.4	17	57	6	-	6	205
GN.27430	GN 565.4-26-192-B-SW	26	227	192±0.25	-	6.4	17	57	6	-	6	205

Lift & Pull handles