

150 X 90 X 50 CM

59.1" X 35.4" X 19.6"

MADERCLICK 4/500

5 Años Garantía
Years Guarantee
Jahre Garantie
Ans Garantie
Anos de Garantia
SIMONRACK

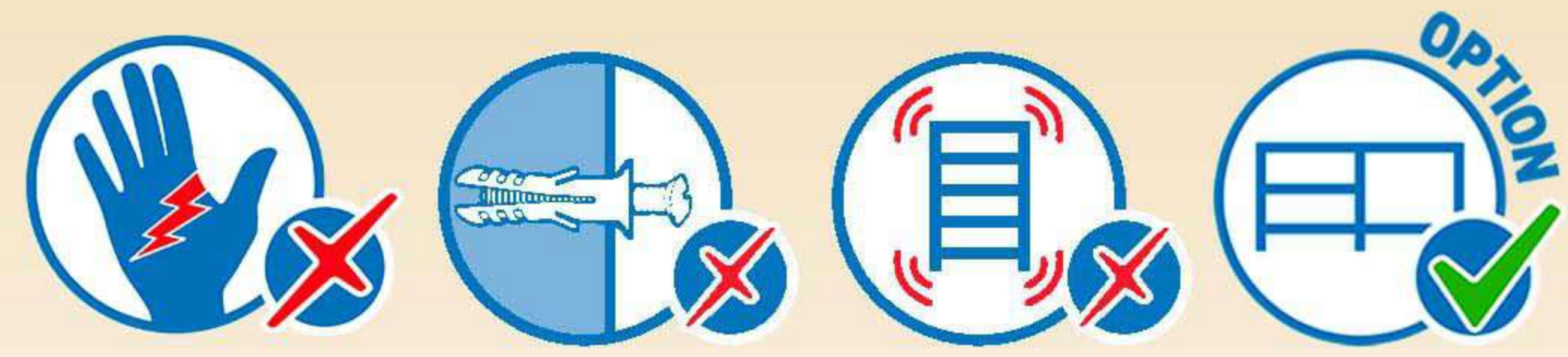
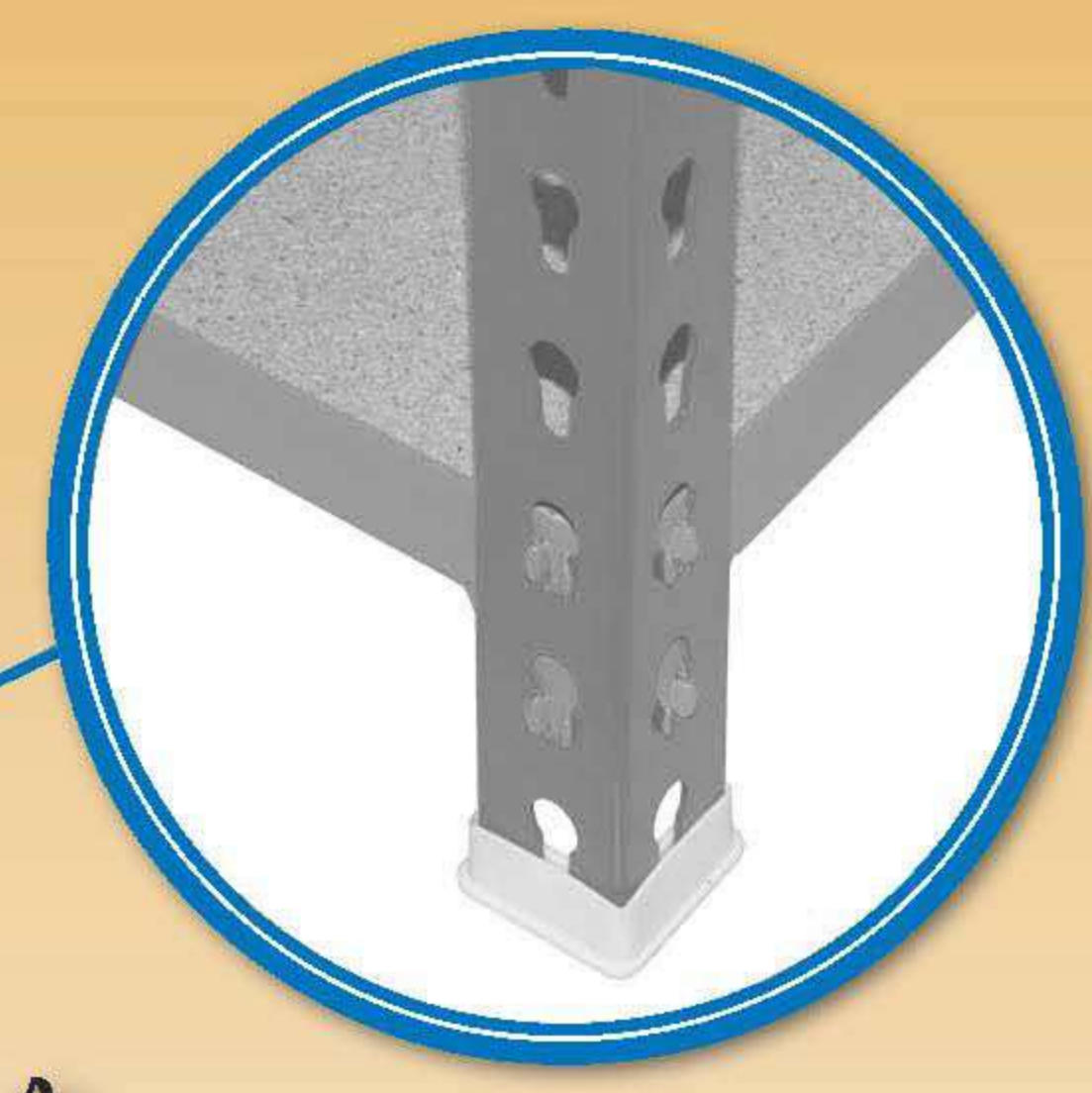
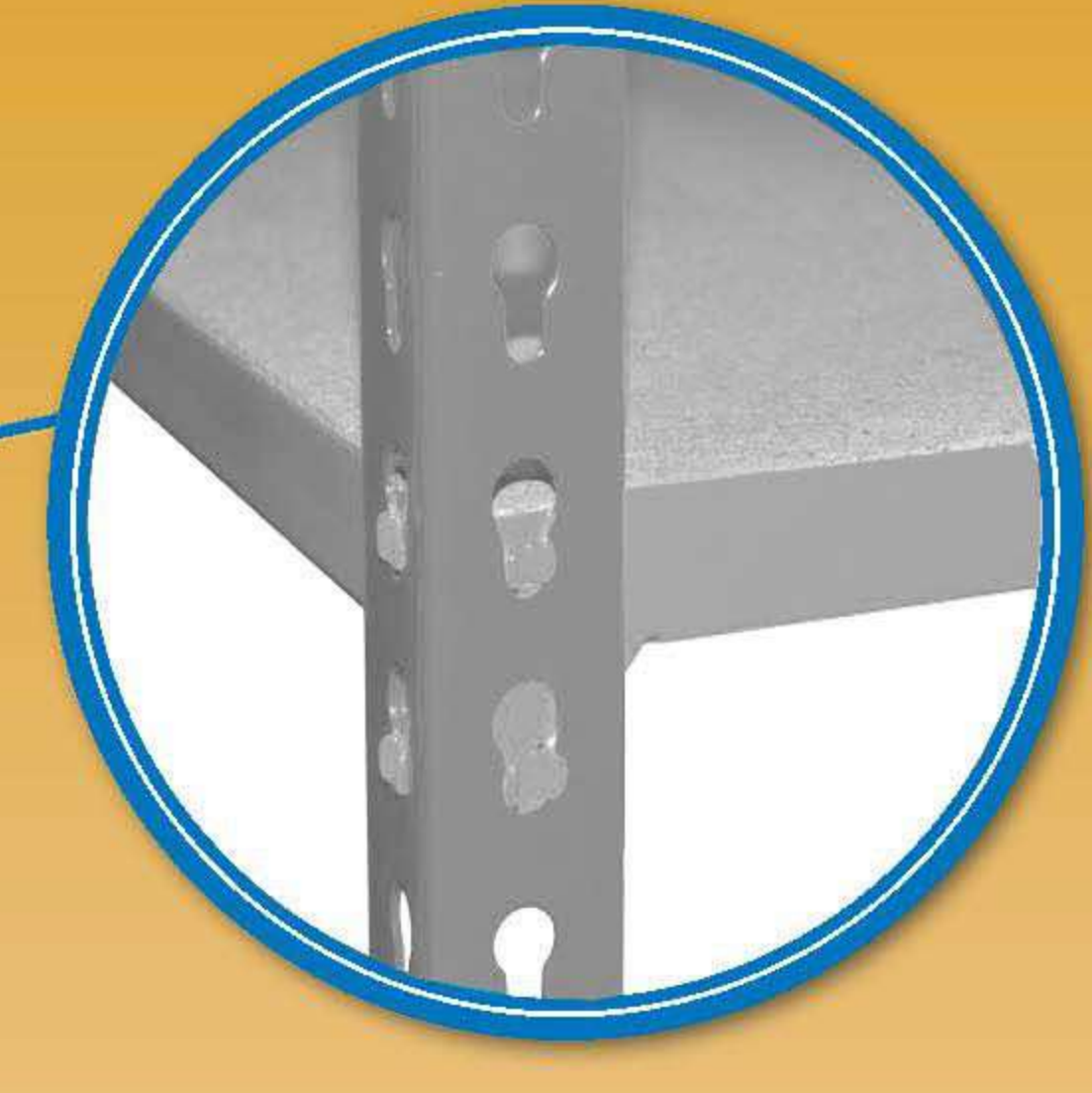
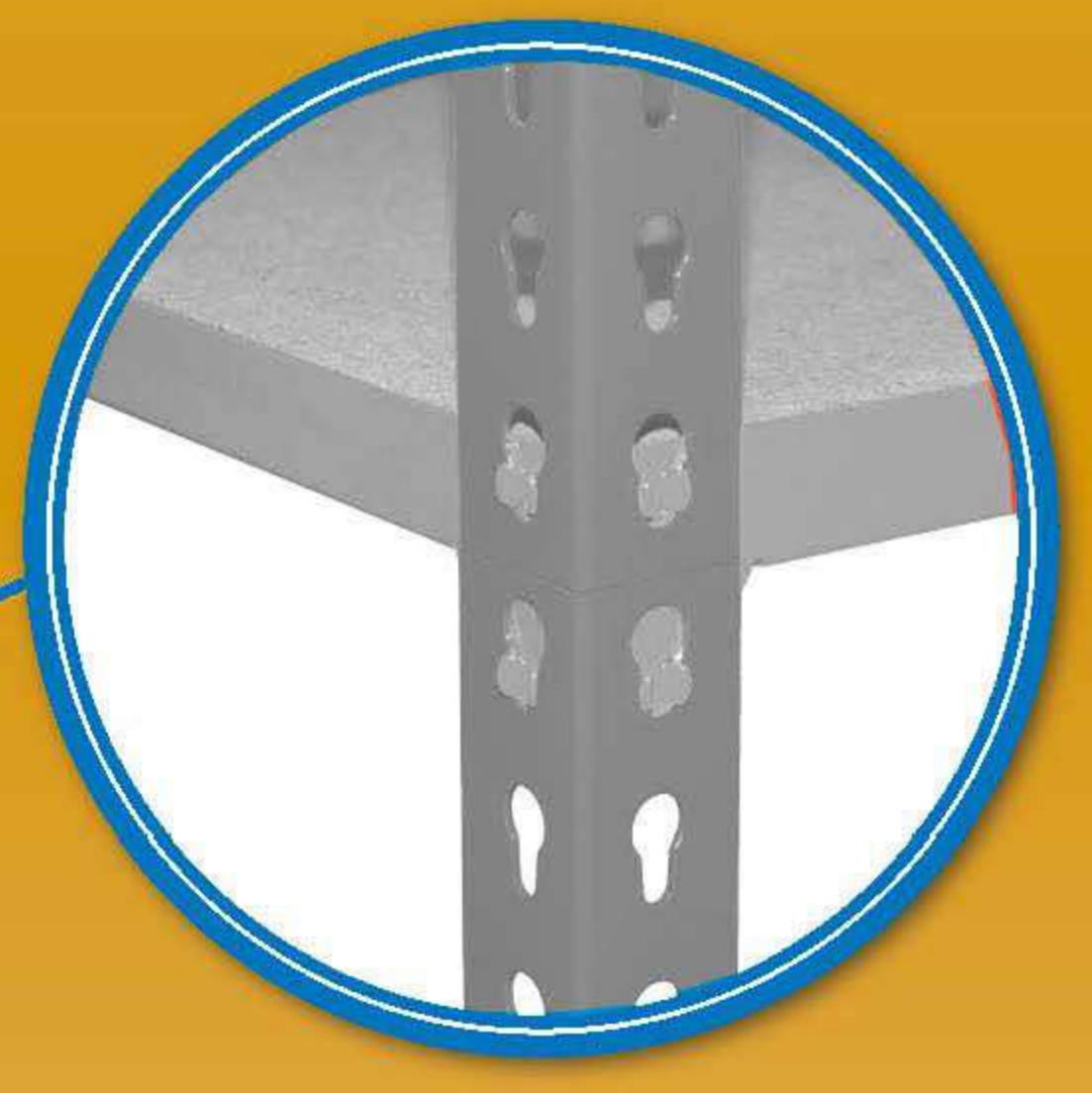


150 cm (59.1")

50 cm (19.6")

90 cm (35.4")

600 kg
(1320 lb)
Total



*MEDIDAS EN USO USED MEASUREMENTS
MASSNAHMEN IM EINSATZ MESURES EN EMPLOI MEDIDAS EM USO:
1485 x 910 x 510 mm (58.4" x 35.8" x 20")



ESTANTERIAS SIMON S.L. B.50.556.463
PG. ALFAMEN C/ POLIGONO C, N°3
ALFAMEN (ZARAGOZA)



www.simonrack.com



Simon Rack
SINCE 1964 -MANUFACTURER



INSTRUCTIONS

