



ANSMANN Li-Ion battery 9V block Typ 400 (min. 340 mAh) 1pcs. paper blister

- High-quality ANSMANN lithium-ion battery 9V block with protective circuitry
- Stable voltage of 9 V over 95% of the runtime. At a remaining capacity of approx. 5%, the voltage is reduced to 1.1V to signal to the user that the battery needs to be replaced.
- Ideally suited for use in Electric toys, torches, radios, measuring devices, security cameras, soap dispensers, electric door locks, etc.
- Integrated protective circuitry protects against overcharging, overload, short circuit and deep discharge
- Max. Continuous discharge current: 0,3 A
- Very low self-discharge and high energy efficiency
- Excellent price-performance ratio
- 2 years guarantee

INFORMATION

| | |
|------------------------------|---|
| Product name | Li-Ion battery 9V block Typ 400 (min. 340 mAh) 1pcs. paper blister |
| Part No. | 1315-0005 |
| EAN code | 4013674194001 |
| Customs tariff number | 85076000900 |
| Material Group | 04 |
| Product content | 1x 9V block Li-Ion Rechargeable battery 400 mAh, USB-C charging cable |

| | |
|--------------------------|----------------------------|
| Product | 48 × 16 × 26 mm / 22 g |
| Packing + Product | 86 × 19 × 123 mm / 44 g |
| Packing Unit | 18 PAK (200 × 190 × 92 mm) |



cell chemistry: Li-Ion
cell size: 9V E-Block
cell type: pouch pack (lithium polymer)

Conditions

nominal output voltage: 9.0 V

capacity

nominal: 400 mAh discharge at 0.2C
 minimum: 340 mAh discharge at 0.2C
 300 mAh discharge at 0.5C
 ta: 20°C; EV(Discharge End Voltage): 5.4V

discharge

max. continuous discharge current: 300 mA
 nom. discharge current: 80 mA
 ta: 0....45°C

charge via type-C connector (with USB charger)

supply voltage: 5 V ± 0.25V
 charge current: 450 mA ± 10%
 charge time: 2.5 h ± 0.25h

external charge (at battery + / - poles) is not allowed; charge battery via type-C connector only

internal resistance: n/a at 1kHz, sine wave measurement according to IEC 896-2

output protection function: short-circuit cut-off
 cut-off current: 2 A ± 0.5A

deep discharge protection function

cut-off voltage of int. battery: 2.6 V ± 0.3V

LED charge indicator

visible next to the type-C socket

lights red during charge
 lights green at end of charge (battery fully charged)

built-in li-ion battery: 3.7 V / 1000mAh
 energy: 3.7 Wh

life time expectance

(C>70% of min. capacity) ≥ 1200 cycles at 0.2C charge / 0.2C discharge rate

self discharge:

≤ 2 %/month at 20°C
 ≤ 5 %/month at 30°C
 ≤ 10 %/month at 40°C

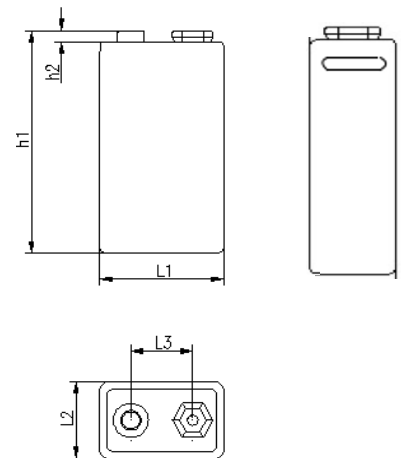
ambient temperature range:


0...45 °C charge
 - 20...60 °C discharge
 - 20...25 °C storage max. 1year
 - 20...45 °C storage max. 3months

recommended SOC: 30...50 % for long-time storage
 (SOC = state of charge)

mechanical specifications

cell dimensions (incl. label)
 Length L1: 26.5 - 2.0 mm
 Length L2: 17.5 - 2.0 mm
 Length L3: 12.7 ± 0.25 mm
 height h1: 48.5 - 1.0 mm
 weight: 22.5 ± 2 g



| | | |
|---|--|---|
|  | ANSMANN Specifications for model: | 9V-E-Block Li-Ion Battery 9V 400mAh w. type-C charge |
| | data sheet no. / part no. | 1315-0005 |
| | s.n. | 705163 |
| | author / date | TG / 07.09.2023 |