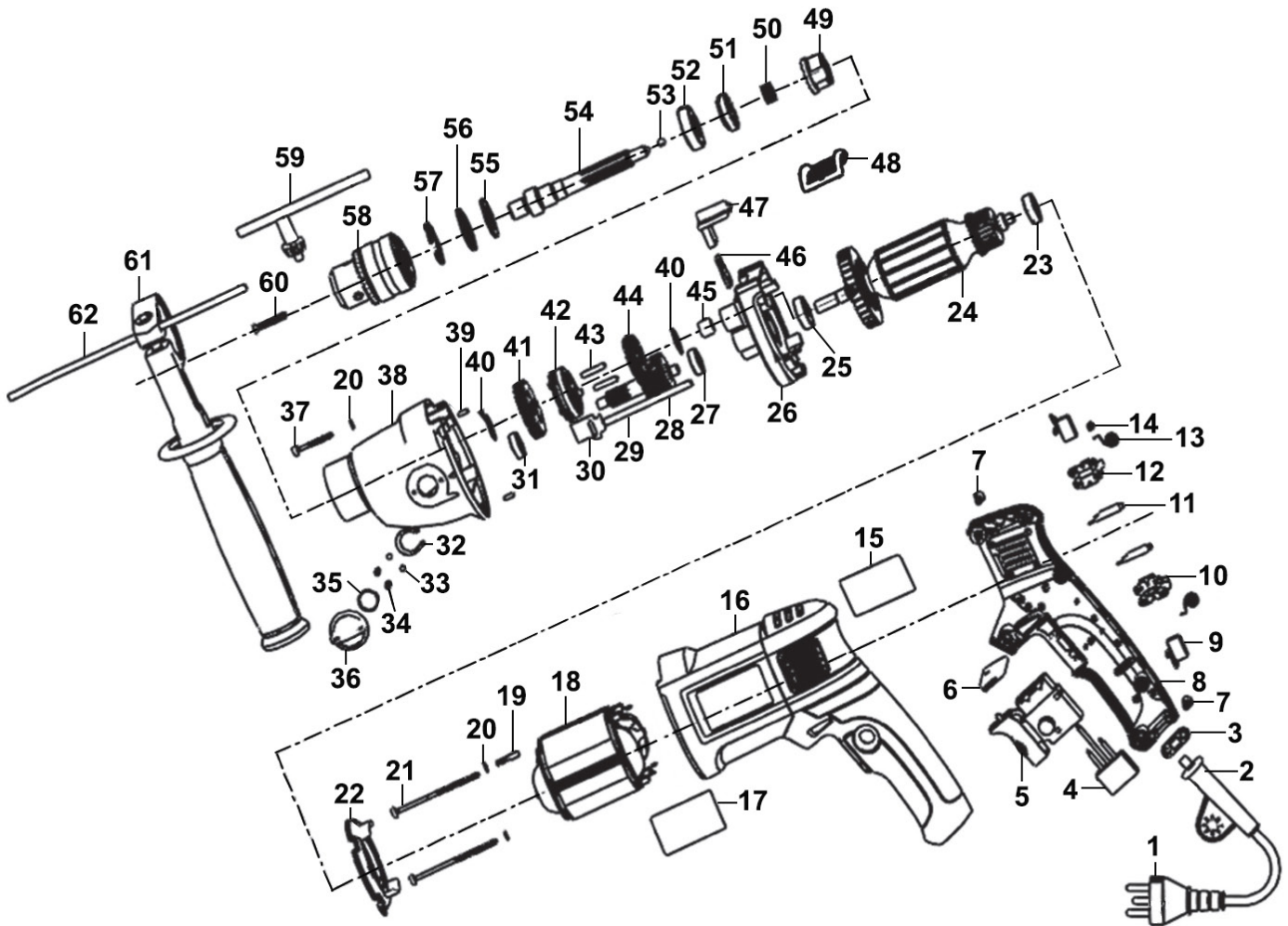




Parts Information:
Hammer Drill 13mm 2 Mechanical/Variable
Speed 1050W/230V
Model No: SD1000.V3



NOTE: It is our policy to continually improve products and as such we reserve the right to alter data, specifications and component parts without prior notice. There may be alternative versions of this product, please contact us should you require this information.

IMPORTANT: No liability is accepted for incorrect use of product. Spare parts must be fitted by a competent person

WARRANTY: Guarantee is 12 months from purchase date, proof of which will be required for any claim.

Sealey Group, Kempson Way, Suffolk Business Park, Bury St Edmunds, Suffolk. IP32 7AR



01284 757500



01284 703534



sales@sealey.co.uk



www.sealey.co.uk



Parts Information:
**Hammer Drill 13mm 2 Mechanical/Variable
 Speed 1050W/230V
 Model No: SD1000.V3**

Item	Part No.	Description
1	SD1000.V3-01	Cable
2	SD1000.V3-02	Cable Armour
3	SD1000.V3-03	Cable Clip
4	SD1000.V3-04	Capacitor
5	SD1000.V3-05	Switch Press Button c/w Safety Lock & Speed Control
6	SD1000.V3-06	Reverse/ Forward Lever For Switch
7	SD1000.V3-07	Tapping Screw st4 x 16
8	SD1000.V3-08	Right Handle
9	SD1000.V3-09	Carbon Brush
10	SD1000.V3-10	Lower Brush Holder
11	SD1000.V3-11	Inductor
12	SD1000.V3-12	Upper Brush Holder
13	SD1000.V3-13	Coil Spring
14	SD1000.V3-14	Tapping Screw st3 x 10
15	SD1000.V3-15	Label, R/H Side
16	SD1000.V3-16	Housing
17	SD1000.V3-17	Label, L/H Side
18	SD1000.V3-18	Stator
19	SD1000.V3-19	Waveform Buckle
20	SD1000.V3-20	Plain Washer M4
21	SD1000.V3-21	Rd Head S/T Screw M4 X 65 Black
22	SD1000.V3-22	Fan Guide
23	B/627	Bearing 627
24	SD1000.V3-24	Rotor
25	B/609Z	Bearing 609z
26	SD1000.V3-26	Supporter
27	B/627	Bearing 627
28	SD1000.V3-28	Middle Gear
29	SD1000.V3-29	Pin b5 x 70
30	SD1000.V3-30	Slide
31	SD1000.V3-31	Bearing b/607z

Item	Part No.	Description
32	SD1000.V3-32	Circlip 16mm
33	SD1000.V3-33	Steel Ball M4
34	SD1000.V3-34	Spring Dia 3.5mm
35	SD1000.V3-35	O-Ring, (Ex: 12.79 In: 11.12 Cs: 0.84)
36	SD1000.V3-36	Knob
37	SD1000.V3-37	Rd Head S/T Screw M4 X 45 Black
38	SD1000.V3-38	Gear Box
39	SD1000.V3-39	Pin 3x8
40	SD1000.V3-40	Seal Ring M12
41	SD1000.V3-41	Slow Gear
42	SD1000.V3-42	Clutch
43	SD1000.V3-43	Gudgeon Pin
44	SD1000.V3-44	Quick Gear
45	B/HK0808	Needle bearing hk0808
46	SD1000.V3-46	Shifting Block
47	SD1000.V3-47	Push Button
48	SD1000.V3-48	Push Button Seat
49	SD1000.V3-49	Calm Impact Tooth
50	SD1000.V3-50	Spring Dia 14.5mm
51	SD1000.V3-51	Act Impact Tooth
52	B/6002	Bearing 6002
53	SD1000.V3-53	Steel Ball 5mm
54	SD1000.V3-54	Output Spindle
55	SD1000.V3-55	Felt Washer
56	SD1000.V3-56	Seal Ring
57	SD1000.V3-57	Ext Circlip ID 25.8mm
58	SD1000.V3-58	Chuck 1.5-13mm 1/2x20unf
59	SM2503.DCK	Drill Chuck Key
60	SD1000.V3-60	Chuck Screw M6x25 (lh)
61	SD1000.V3-61	Side Handle
62	SD1000.V3-62	Scale

NOTE: It is our policy to continually improve products and as such we reserve the right to alter data, specifications and component parts without prior notice. There may be alternative versions of this product, please contact us should you require this information.

IMPORTANT: No liability is accepted for incorrect use of product. Spare parts must be fitted by a competent person

WARRANTY: Guarantee is 12 months from purchase date, proof of which will be required for any claim.

Sealey Group, Kempson Way, Suffolk Business Park, Bury St Edmunds, Suffolk. IP32 7AR



01284 757500



01284 703534



sales@sealey.co.uk



www.sealey.co.uk