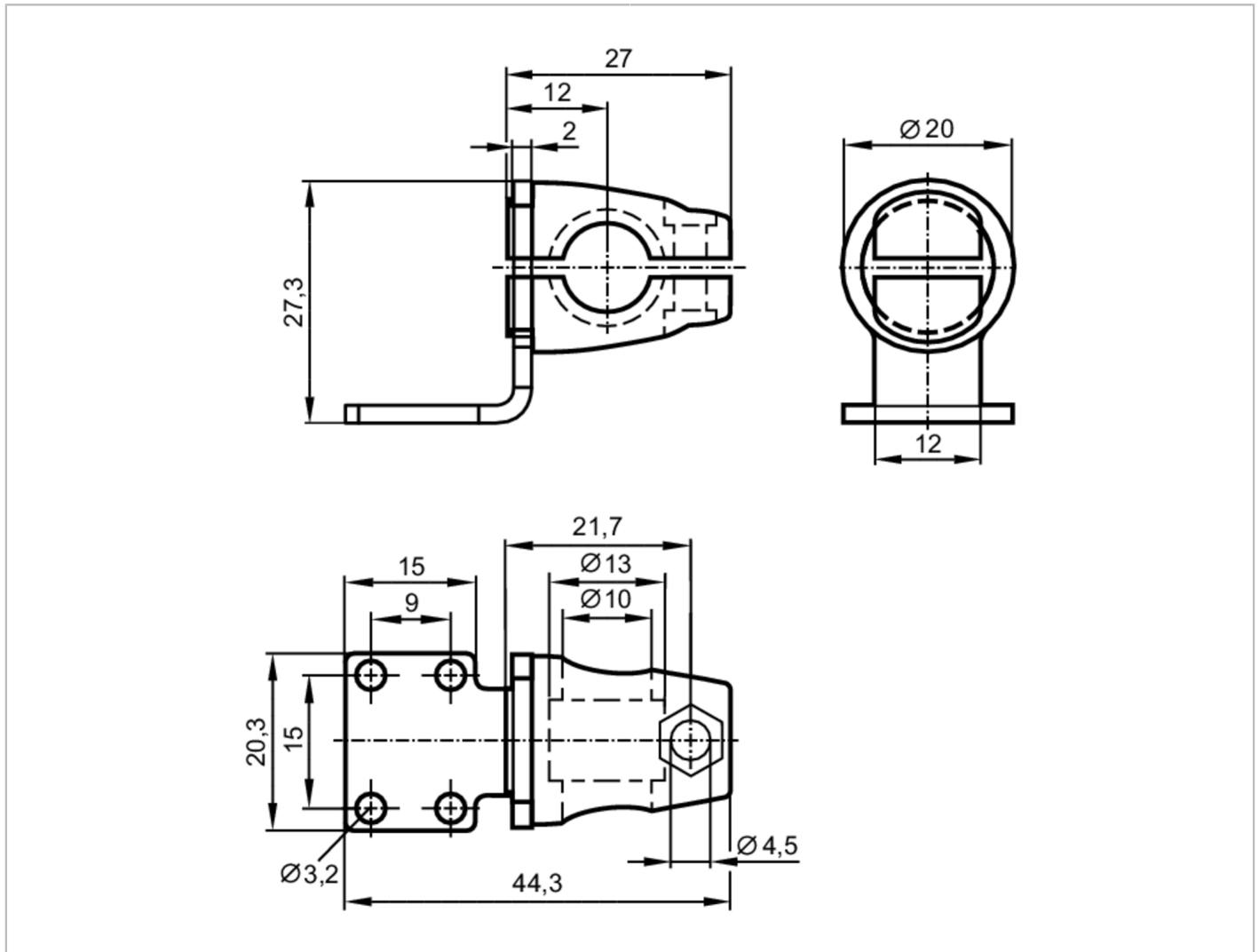


E21237



Mounting set for position sensors

CLAMP AND BRACKET



Application	
Design	clamp mounting
Mechanical data	
Weight [g]	47
Type of mounting	Mounting rod; (Ø 10 mm)
Dimensions [mm]	27.3 x 20 x 44.3
Materials	fixture: stainless steel; Clamp: stainless steel; screw: stainless steel; nut: stainless steel
Accessories	
Accessories (supplied)	head cap screw: 1 x M4 x 12 nut: M4
Remarks	
Pack quantity	1 pcs.