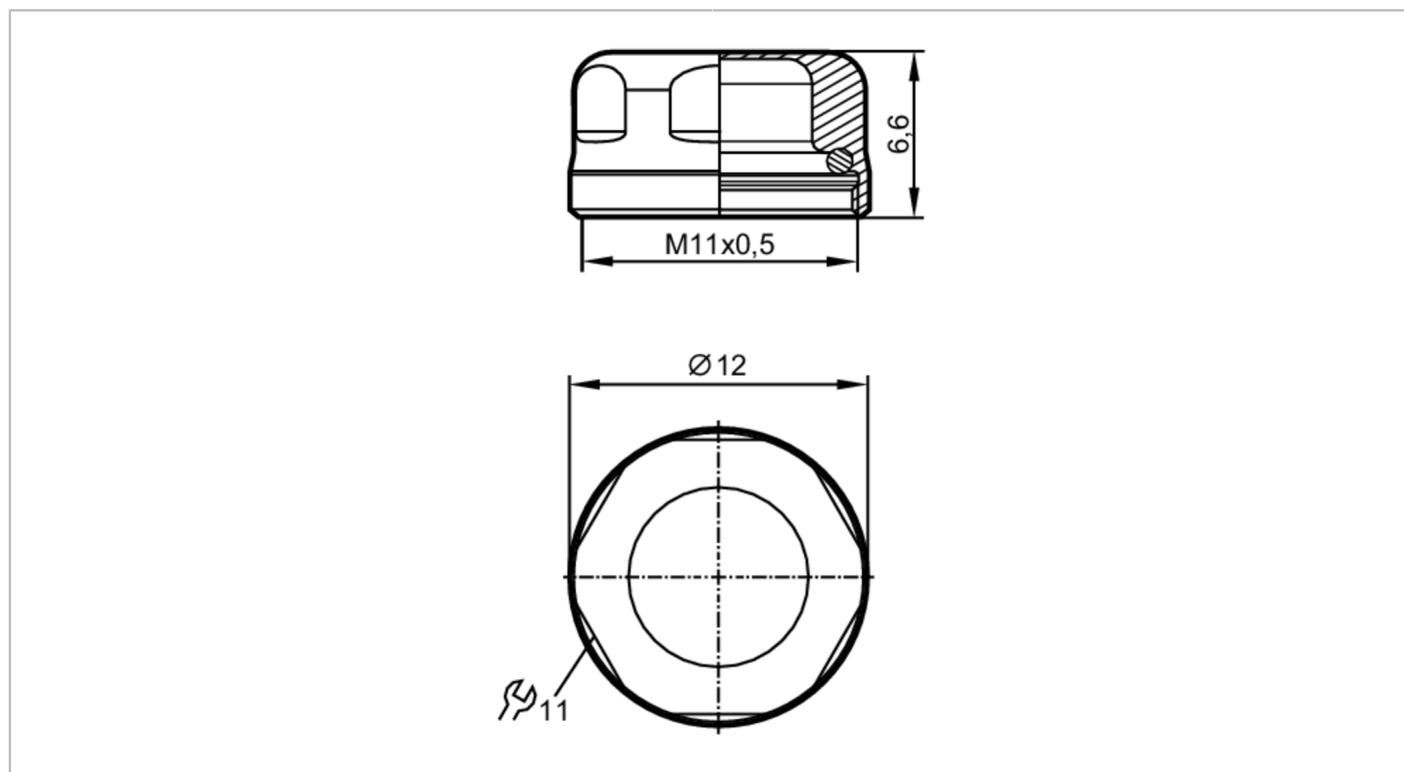


E30148



Protective cap

PROTECTIVE CAP



Mechanical data	
Weight [g]	10
Materials	stainless steel (1.4404 / 316L)
Tightening torque [Nm]	2.5...3.5; (recommended tightening torque)
Remarks	
Pack quantity	1 pcs.