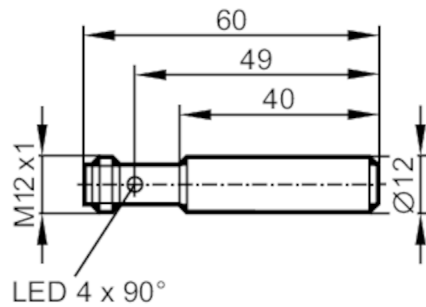


MFT204



Full-metal magnetic sensor

MFG3060-BPKG/AM/V4A/G/US



Product characteristics

Electrical design	PNP
Output function	normally open
Sensing range [mm]	60; (referred to magnet M 4.0)
Housing	cylindrical
Dimensions [mm]	Ø 12 / L = 60

Application

Special feature	Gold-plated contacts; Full-metal housing
Pressure rating [bar]	100

Electrical data

Operating voltage [V]	10...30 DC
Current consumption [mA]	< 10
Protection class	III
Reverse polarity protection	yes

Outputs

Electrical design	PNP
Output function	normally open
Max. voltage drop switching output DC [V]	2.5
Permanent current rating of switching output DC [mA]	100
Switching frequency DC [Hz]	5000
Short-circuit protection	yes
Overload protection	yes

Detection zone

Sensing range [mm]	60; (referred to magnet M 4.0)
Response sensitivity [mT]	1.3

Accuracy / deviations

Hysteresis [% of Sr]	1...10
----------------------	--------

Operating conditions

Ambient temperature [°C]	0...100
Protection	IP 65; IP 68; IP 69K

MFT204



Full-metal magnetic sensor

MFG3060-BPKG/AM/V4A/G/US

Tests / approvals

EMC	EN 61000-4-2 ESD	4 kV CD / 8 kV AD
	EN 61000-4-3 HF radiated	10 V/m
	EN 61000-4-4 Burst	2 kV
	EN 61000-4-5 Surge	0,5 kV line to line, Ri: 2 Ohm
	EN 61000-4-6 HF conducted	10 V
	EN 55011	class B
	DIN ISO 11452-2	100 V/m

Mechanical data

Weight	[g]	21.5
Housing		cylindrical
Dimensions	[mm]	Ø 12 / L = 60
Materials		housing: stainless steel (1.4404 / 316L); sensing face: stainless steel (1.4404 / 316L)
Full-metal housing		yes

Displays / operating elements

Display	switching status	1 x LED, yellow
---------	------------------	-----------------

Remarks

Pack quantity	1 pcs.
---------------	--------

Electrical connection - plug

Connector: 1 x M12; Contacts: gold-plated



Connection

