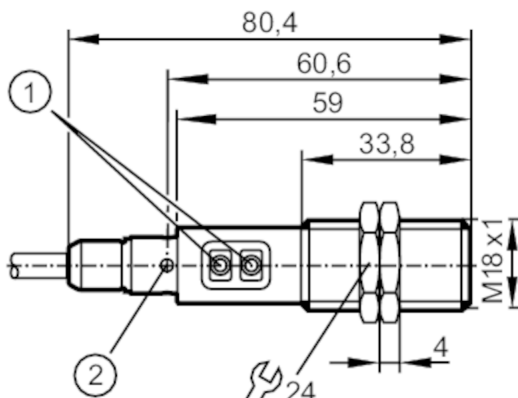




Through-beam sensor receiver

OGE-FPKG/2M



- 1 programming buttons
- 2 LED 4 x 90°



Product characteristics

| | |
|-----------------|--------------------|
| Type of light | red light |
| Housing | threaded type |
| Dimensions [mm] | M18 x 1 / L = 80.4 |

Application

| | |
|--------------------|---------------------|
| Function principle | Through-beam sensor |
|--------------------|---------------------|

Electrical data

| | |
|-----------------------------|------------|
| Operating voltage [V] | 10...36 DC |
| Current consumption [mA] | 11 |
| Protection class | II |
| Reverse polarity protection | yes |
| Type of light | red light |
| Wave length [nm] | 624 |

Outputs

| | |
|--|---------------------------------------|
| Electrical design | PNP |
| Output function | light-on/dark-on mode; (programmable) |
| Max. voltage drop switching output DC [V] | 2.5 |
| Permanent current rating of switching output DC [mA] | 150; (200 (...60 °C)) |
| Switching frequency DC [Hz] | 1000 |
| Short-circuit protection | yes |
| Type of short-circuit protection | pulsed |
| Overload protection | yes |

OGE502



Through-beam sensor receiver

OGE-FPKG/2M

| Detection zone | | |
|-------------------------------|------------------|---|
| Transmitter / receiver | | receiver |
| Range | [m] | < 25 |
| Factory setting | | dark-on mode |
| Range adjustable | | yes |
| Operating conditions | | |
| Ambient temperature | [°C] | -25...80 |
| Protection | | IP 67 |
| Tests / approvals | | |
| EMC | | EN 60947-5-2 |
| MTTF | [years] | 786 |
| Mechanical data | | |
| Weight | [g] | 124.7 |
| Housing | | threaded type |
| Dimensions | [mm] | M18 x 1 / L = 80.4 |
| Thread designation | | M18 x 1 |
| Materials | | stainless steel (1.4404 / 316L); PA; LCP; EPDM; TPU |
| Lens material | | PMMA |
| Displays / operating elements | | |
| Display | switching status | 1 x LED, yellow |
| Accessories | | |
| Accessories (supplied) | | lock nuts: 2 x |
| Remarks | | |
| Remarks | | operating voltage "supply class 2" according to cULus |
| Pack quantity | | 1 pcs. |

OGE502



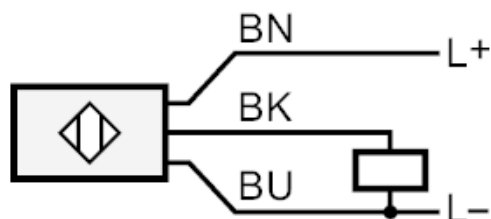
Through-beam sensor receiver

OGE-FPKG/2M

Electrical connection

Cable: 2 m, PUR; 3 x 0.34 mm²

Connection



Core colours :

BK = black
BN = brown
BU = blue