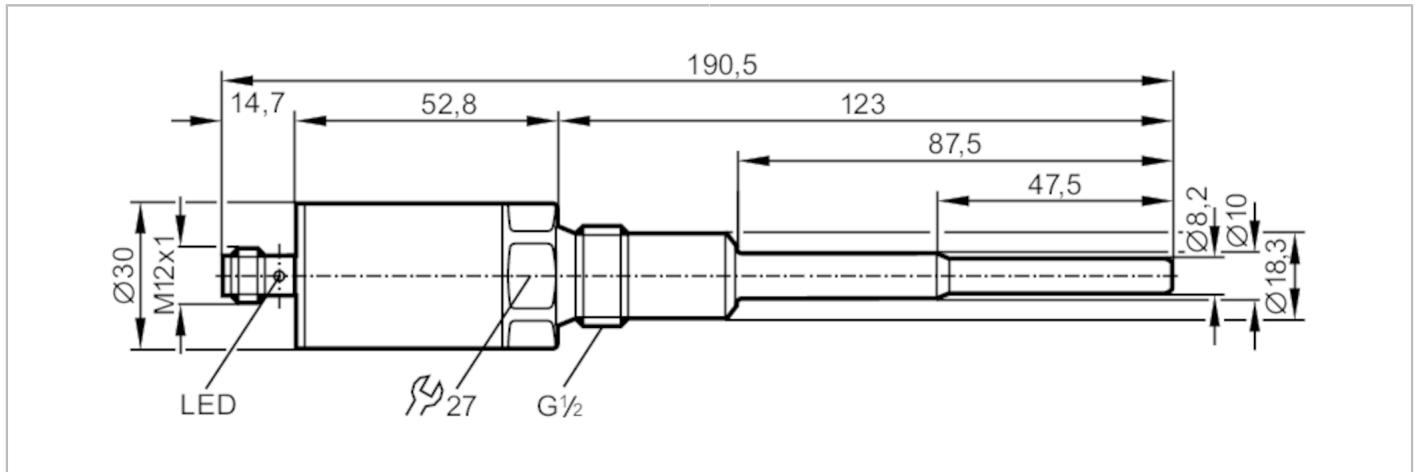


TAA431



Temperature transmitter

TAA123CCDR12-ASIVG/US



Product characteristics

Number of inputs and outputs	Number of analogue outputs: 1	
Measuring range	-10...150 °C	14...302 °F
Process connection	threaded connection G 1/2 external thread	
Installation length EL [mm]	87.5	

Application

Special feature	Gold-plated contacts	
Measuring element	1 x Pt 1000; (to DIN EN 60751, class A)	
Media	liquids and gases	
Medium temperature	< 150; (< 40 min) °C	< 302; (< 40 min) °F
Pressure rating [bar]	300	
Note on pressure rating	sensor	
Minimum installation depth [mm]	15	
When mounted in adapters the specifications of the adapter data sheet apply.		

Electrical data

Operating voltage [V]	18...31.6 DC	
Current consumption [mA]	< 25	
Protection class	III	
Reverse polarity protection	yes	

Inputs / outputs

Number of inputs and outputs	Number of analogue outputs: 1	
------------------------------	-------------------------------	--

Outputs

Total number of outputs	1	
Output signal	analogue signal	
Electrical design	AS-i	
Number of analogue outputs	1	
Overload protection	yes	

Measuring/setting range

Probe length L [mm]	87.5	
Measuring range	-10...150 °C	14...302 °F

TAA431



Temperature transmitter

TAA123CCDR12-ASIVG/US

Resolution		
Resolution of analogue output	[K]	0.05
Accuracy / deviations		
Precision analogue output	[K]	$\pm 0,1$ (60°C / 140°F) / $\pm 0,3$ (0...140°C / 32...284°F)
Temperature coefficient [% of the span / 10 K]		$< \pm 0,1$; (in case of deviation from the reference condition 25 ± 5 °C)
Response times		
Dynamic response T05 / T09	[s]	1 / 3; (to DIN EN 60751)
Operating conditions		
Ambient temperature	[°C]	-25...70
Storage temperature	[°C]	-40...100
Protection		IP 68; IP 69K
Tests / approvals		
EMC	DIN EN 61000-4-2 ESD	4 kV CD / 8 kV AD
	EN 61000-4-3 HF radiated	10 V/m
	DIN EN 61000-4-4 Burst	2 kV
	DIN EN 61000-4-5 Surge	0,5/1 kV
	EN 61000-4-6 HF conducted	10 V
Shock resistance	DIN IEC 68-2-27	50 g (11 ms)
Vibration resistance	DIN EN 60068-2-6	20 g (10...2000 Hz)
MTTF	[years]	348
AS-i classification		
AS-i version		2.11
AS-i I/O configuration	[hex]	7
AS-i ID code	[hex]	3.C
Mechanical data		
Weight	[g]	258.5
Dimensions	[mm]	$\varnothing 30$ / L = 190.5
Materials		stainless steel (1.4404 / 316L); stainless steel (1.4301 / 304); stainless steel (1.4305 / 303); PA
Materials (wetted parts)		stainless steel (1.4404 / 316L)
Tightening torque	[Nm]	30...50
Process connection		threaded connection G 1/2 external thread
Installation length EL	[mm]	87.5
Displays / operating elements		
Display	operation	1 x LED, green
	failure	1 x LED, red
Remarks		
Remarks		The values for accuracy apply to flowing water. referring to UL: for use on a low voltage circuit with overcurrent protection in accordance with UL873 tab. 28.1 or $I_{max} = 100/U_b$ (U_b = voltage of the circuit)
Pack quantity		1 pcs.
Electrical connection		
Connector: 1 x M12; Contacts: gold-plated		

TAA431



Temperature transmitter

TAA123CCDR12-ASIVG/US



Connection

