

M12 MALE 90° SHIELDED, B CODED ,INTERBUS

PUR 3x2x0.25 shielded violet 1.5m

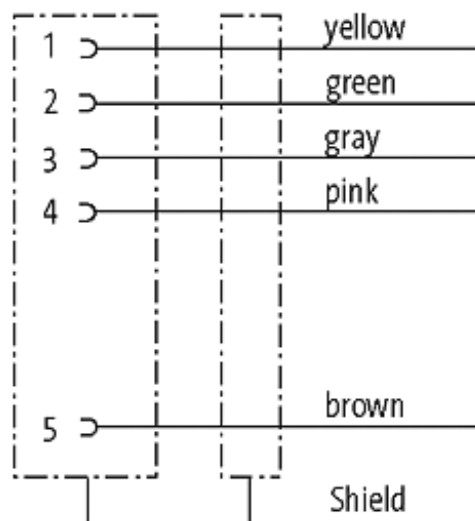
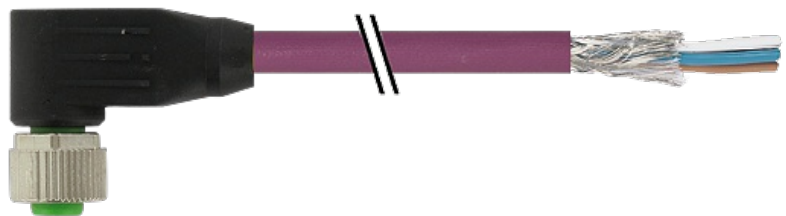
M12

Female 90°

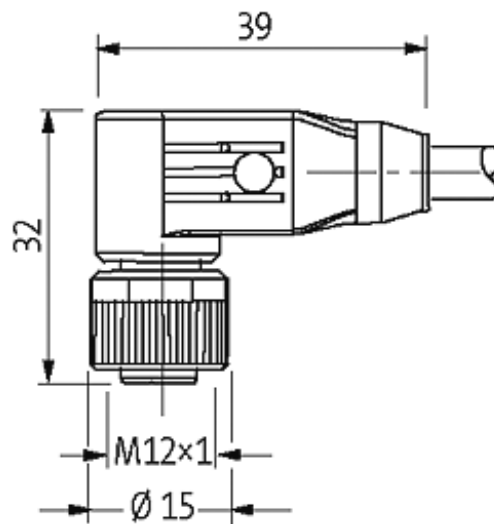
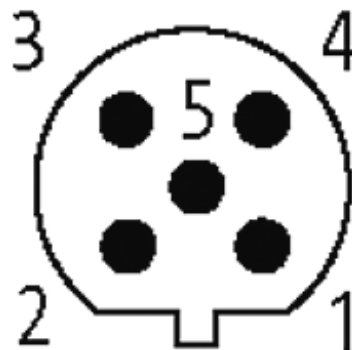
Interbus, B-coded

5-pole, shielded

Further cable lengths on request. Plastic housings with good resistance against chemicals and oils. The resistance to aggressive media should be individually tested for your application. Further details on request.

[Link to Product](#)**Illustration**

Female



Product may differ from Image

Approvals



More Info



Form

14271

Technical Data

| | |
|-------------------------------|------------|
| Operating voltage | 60 V AC/DC |
| Operating current per contact | max. 4 A |

The information in this brochure has been compiled with the utmost care.

Liability for the correctness completeness and topicality of the information is restricted to gross negligence. Version: 05/15

| | |
|------------------|---|
| Locking of ports | Screw thread M12 × 1 mm (recommended torque 0.6 Nm) self-securing |
|------------------|---|

Cables

| | |
|-----------------------------|------------------------|
| Cable number | 799 |
| No./diameter of wires | 3 × 2 × (AWG 24) |
| Wire isolation | PE (br,wh,gr,pk,gn,ye) |
| C-track properties | 2 Mio. |
| Jacket Color | violet |
| Shore hardness outer jacket | 85 ± 5A |
| Material (jacket) | PUR |
| Outer diameter | approx. 7.7 mm |
| Bend radius (fixed) | 10 × outer Ø |
| Bend radius (moving) | 15 × outer Ø |
| Temperature range (fixed) | -40...+70 °C |
| Temperature range (mobile) | -20...+50 °C |
| Shielded | yes |

General data

| | |
|-------------------|--|
| Temperature range | -25...+85 °C, depending on cable quality |
|-------------------|--|

Commercial data

| | |
|------------------------|----------|
| country of origin | DE |
| customs tariff number | 85444290 |
| minimum order quantity | 1 |