

## SVS VALVE PLUG FORM BI 11MM FIELD-WIREABLE

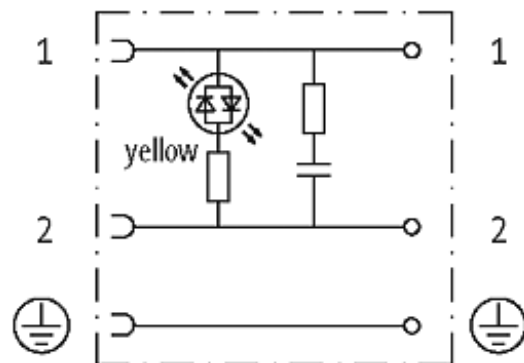
230V LED+VDR PG9

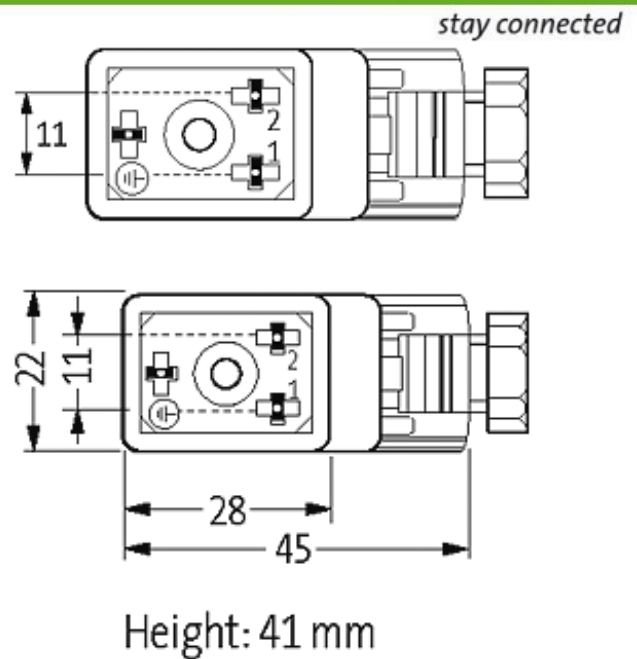
Form BI (11 mm)  
230 V AC/DC with LED and RC  
PG 9

Plastic housings with good resistance against chemicals and oils. The resistance to aggressive media should be individually tested for your application. Further details on request.

### [Link to Product](#)

#### Illustration





Product may differ from Image

### Approvals



### Form

29981

### Technical Data

Operating voltage	230 V AC/DC $\pm 10\%$
LED display	(yellow)
Current consumption	approx. 12 mA
Switch off peak	max. 450 V
Switch off delay time	max. 15 ms
Max. power (W)	max. 50 W(VA)
Compression gland	PG 9
Sealing range (cable diameter)	6...8 mm
Plug color	Black housing, transparent flip top
Protection	IP65 inserted and tightened (EN 60529), with gland
Locking of ports	M3 (recommended torque 0.4 Nm)
Connection cross section	4 mm <sup>2</sup> single core, with ferrule end 1.5 mm <sup>2</sup>

### General data

Temperature range -20...+60 °C

### Commercial data

country of origin CZ  
 customs tariff number 85369010

minimum order quantity

1