



Model Number

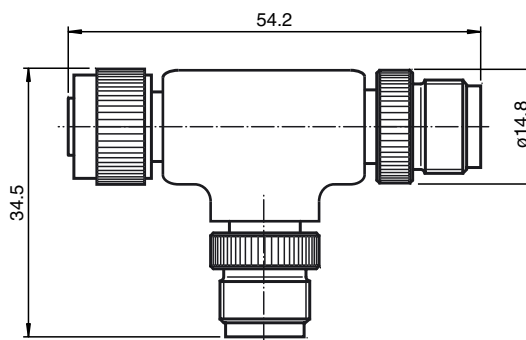
V1S-TEE-V1/V1S

T-Distributor, M12 connector to M12 socket/connector

Features

- Immunity to vibration, with mechanical latching
- Suitable for connecting several roller conveyor light sensors to one line

Dimensions



Technical data

General specifications

Number of pins	4
Coding	A

Electrical specifications

Operating voltage	U_B	60 V
Operating current		4 A

Ambient conditions

Ambient temperature	-25 ... 85 °C (-13 ... 185 °F)
Pollution Degree	3

Mechanical specifications

Degree of protection	IP67 (in attached position)
Connection	1 x M12 connector 1 x M12 connector / 1 x M12 socket

Material

Contacts	CuZn, nickelous undercoated and gold-plated
Body	TPU
Slotted nut	Zinc die-casting, nickel-plated
Sleeve connector	Zinc die-casting, nickel-plated

Compliance with standards and directives

Standard conformity	
Degree of protection	EN 60529

Electrical connection

