



SURGE SUPPRESSOR, RC COUPLING, AC  
400...600V, FOR MOTOR CONTACTORS SZ S0,

**General technical data:**

<b>product brand name</b>		SIRIUS
<b>Product designation</b>		surge suppressor
<b>Size of contactor</b>		S0
<b>Design of the surge suppressor</b>		with RC elements
<b>Ambient temperature</b>		
• during storage	°C	-40 ... +80
• during operation	°C	-25 ... +60

**Control circuit/ Control:**

<b>Type of voltage of the control supply voltage</b>		AC
<b>Control supply voltage frequency</b>		
• 1 Rated value	Hz	50
• 2 Rated value	Hz	60
<b>Control supply voltage 1</b>		
• with AC		
— at 50 Hz Initial rated value	V	400
— at 50 Hz Final rated value	V	600
— at 60 Hz Final rated value	V	600
— at 60 Hz Initial rated value	V	400

**Installation/ mounting/ dimensions:**

<b>mounting position</b>		any
<b>Mounting type</b>		clip-on
<b>Width</b>	mm	30
<b>Height</b>	mm	19

Depth

mm

12

### Certificates/ approvals:

Certificate of suitability

CE / UL / CSA / CCC

General Product Approval

Declaration of  
Conformity

Test  
Certificates

Shipping Approval



UL



EG-Konf.

[Special Test  
Certificate](#)



ABS



### Shipping Approval



DNV



GL



LRS



PRS



RINA



RMRS

### other

[Environmental  
Confirmations](#)

[Confirmation](#)



VDE

### Further information

**Information- and Downloadcenter (Catalogs, Brochures,...)**

<http://www.siemens.com/industrial-controls/catalogs>

**Industry Mall (Online ordering system)**

<http://www.siemens.com/industrymall>

**Cax online generator**

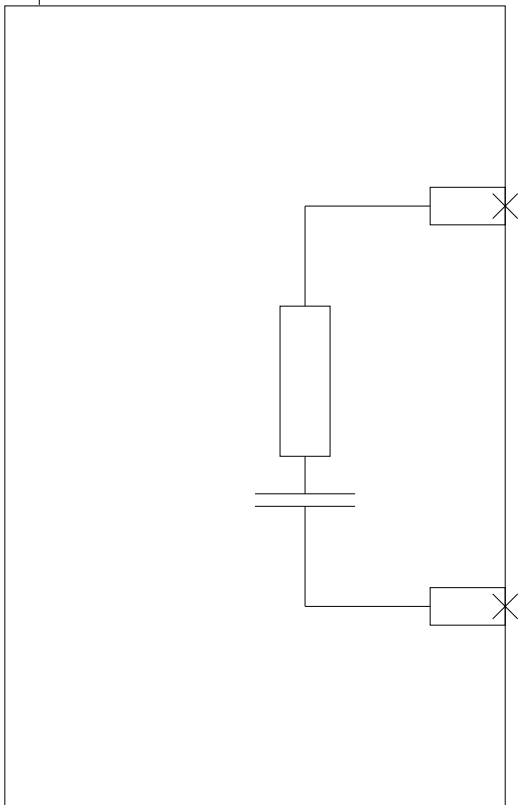
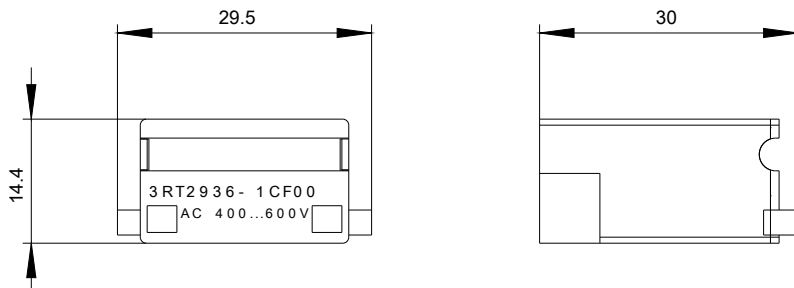
<http://support.automation.siemens.com/WW/CAXorder/default.aspx?lang=en&mlfb=3RT29261CF00>

**Service&Support (Manuals, Certificates, Characteristics, FAQs,...)**

<http://support.automation.siemens.com/WW/view/en/3RT29261CF00/all>

**Image database (product images, 2D dimension drawings, 3D models, device circuit diagrams, EPLAN macros, ...)**

<http://www.automation.siemens.com/bilddb/index.aspx?attID9=3RT29261CF00&lang=en>



last modified:

09.03.2015