

# Adapter Jack to USB Plug

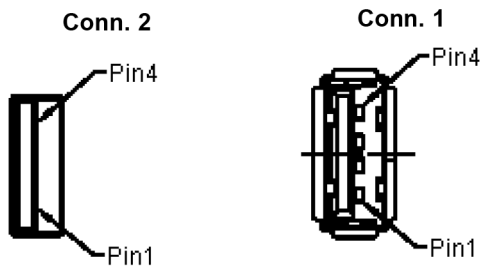
**multicomp** PRO



## Specifications

Waterproof Rate : IP67  
 IP67 : Immersed in 1 M water for 30 minutes  
 Rating : 30V, 1A  
 Specifications : see USB series specifications  
 To conform to hazardous substance free specifications  
 Max. for Panel Thickness : 2.5mm

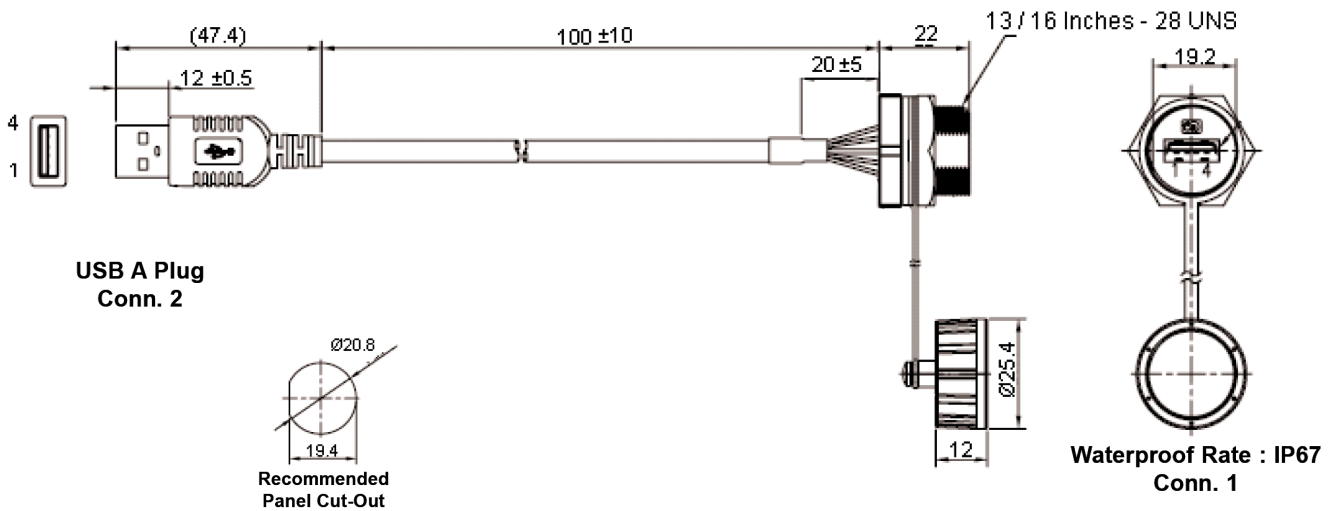
## Pin Out



Pin Assignments Front View

Shield	Drain	Shield
Conn. 2	Wire Colour	Conn. 1
1	Red (24 AWG)	1
2	White (28 AWG)	2
3	Green (28 AWG)	3
4	Black (24 AWG)	4

## Diagram



Dimensions : Millimetres

**multicomp** PRO

# Adapter Jack to USB Plug

**multicomp** PRO

## Specifications Table

Description	Material	Plating and Colour
PCB	FR-4	Green
O-Ring	EPDM	Black
Thermal Glue	-	Natural
Sealing Nut	PPE	-
Gasket	EPDM	Black
Screw Nut	PPE	
Housing		
USB A Jack	P/N : 2UB1518-000111	N/A
Cable	USB2 28# ×1 P + 24# × 2 C + ADB, UV Resistant	Black PVC Jacket
Shrink Tube	Ø5 × 15	Black
Over Mould	PVC	
AL Foil	AL Foil	N/A
USB Plug	USB2 Plug	
Waterproof Cap	P/N : 2UB3001-W0000W	

## Part Number Table

Description	Part Number
Adapter, USB Type A, Jack - Plug	2UB3001-W05101

**Important Notice :** This data sheet and its contents (the "Information") belong to the members of the AVNET group of companies (the "Group") or are licensed to it. No licence is granted for the use of it other than for information purposes in connection with the products to which it relates. No licence of any intellectual property rights is granted. The Information is subject to change without notice and replaces all data sheets previously supplied. The Information supplied is believed to be accurate but the Group assumes no responsibility for its accuracy or completeness, any error in or omission from it or for any use made of it. Users of this data sheet should check for themselves the Information and the suitability of the products for their purpose and not make any assumptions based on information included or omitted. Liability for loss or damage resulting from any reliance on the Information or use of it (including liability resulting from negligence or where the Group was aware of the possibility of such loss or damage arising) is excluded. This will not operate to limit or restrict the Group's liability for death or personal injury resulting from its negligence. Multicomp Pro is the registered trademark of Premier Farnell Limited 2019.

Newark.com/multicomp-pro  
Farnell.com/multicomp-pro  
Element14.com/multicomp-pro

**multicomp** PRO