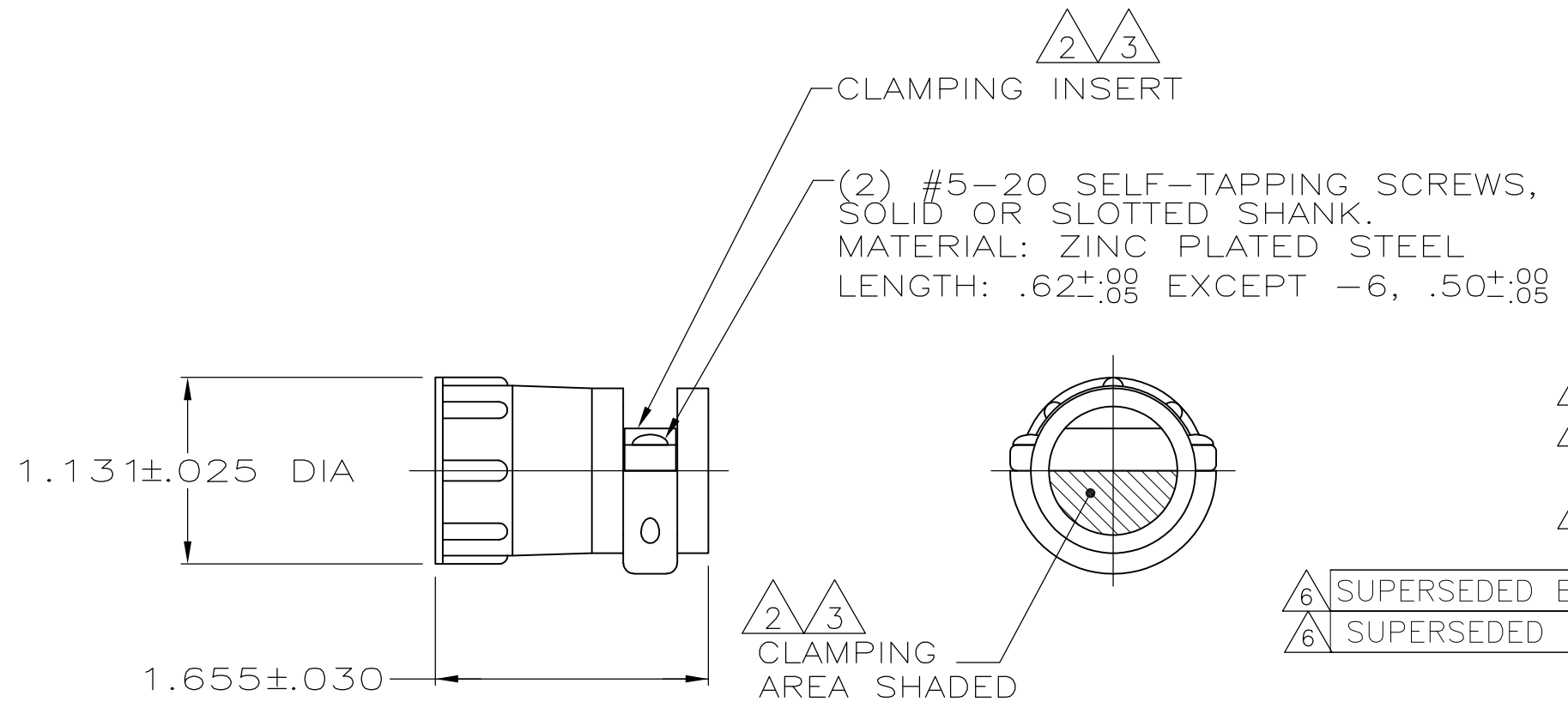


THIS DRAWING IS UNPUBLISHED. RELEASED FOR PUBLICATION  
 © COPYRIGHT - By - ALL RIGHTS RESERVED.

LOC	DIST	REVISIONS			
P	LTR	DESCRIPTION	DATE	DWN	APVD
FT	0	P3	REVISED PER ECO-11-004587	11MAR11	RK HMR

- 1 PARTS PACKAGED UNASSEMBLED.
- 2 CABLE CLAMPING AREA ADJUSTABLE FROM .100 TO .410 SQ IN BY REVERSING CLAMPING INSERTS. (2 INSERTS SUPPLIED, -1 AND -2 ONLY)
- 3 CABLE CLAMPING AREA ADJUSTABLE FROM .100 TO .410 SQ IN BY CHANGING CLAMPING INSERTS. (4 INSERTS SUPPLIED, -4 ONLY)
- 4 .703 MAXIMUM CABLE OUTSIDE DIAMETER.
- 5 BULK PACKAGED KITS TO BE ORDERED IN MULTIPLES OF 100 ONLY.
- 6 NON-HEXAVALENT CHROMATE FINISH.
- 7 OBSOLETE PARTS: OBSOLETE CIS STREAMLINING PER D.RENAUD/D.SINISI



FINISH	PACKAGING	PART NUMBER	
6	INDIVIDUAL	1-206322-1	
6	5 BULK	1-206322-0	
6	INDIVIDUAL	206322-9	
6	7 OBSOLETE - SMALL PACK	206322-8	
6	7 OBSOLETE - INDIVIDUAL	206322-7	
6	5 BULK	206322-6	
7	6 OBSOLETE - SMALL PACK	206322-5	
6	OBSOLETE - INDIVIDUAL	206322-4	
6	SUPERSEDED BY 1-206322-0	5 BULK	206322-2
6	SUPERSEDED BY 206322-9	INDIVIDUAL	206322-1

THIS DRAWING IS A CONTROLLED DOCUMENT.		DWN A GRAFF 4/23/91	TE Connectivity	
DIMENSIONS: INCHES		CHK W.G.LENKER 7-22-92		
TOLERANCES UNLESS OTHERWISE SPECIFIED:		APVD -	NAME CABLE CLAMP KIT, LARGE, SHELL SIZE 17, CPC	
0 PLC ± - 1 PLC ± - 2 PLC ± - 3 PLC ± - 4 PLC ± - ANGLES ± -		PRODUCT SPEC 108-10024	SIZE A3	
MATERIAL THERMOPLASTIC		FINISH -	APPLICATION SPEC -	CAGE CODE 00779
		WEIGHT -	DRAWING NO C-206322	RESTRICTED TO -
CUSTOMER DRAWING			SCALE NTS	SHEET 1 OF 1
			REV P3	