

General accessories expand the functionality of our enclosures by adding new features. The Fibox accessory range provides a variety of inspection windows, and ventilation/pressure equalizer devices.



# General accessories



Inspection windows



Ventilation devices



RoHS compliant and halogen-free

# INSPECTION WINDOWS

**Order symbol      Dimensions inch      Dimensions mm      Description**

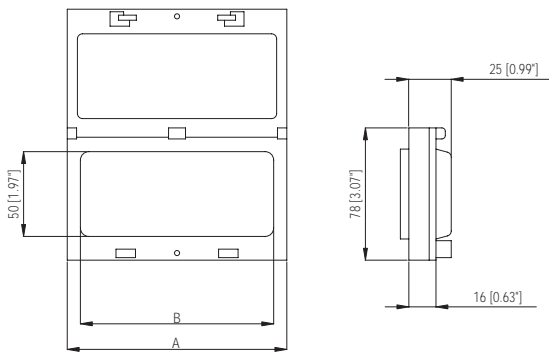
## Polycarbonate (PC), IP 54

L 02	2.4 x 3	60 x 77	Window for 2 modules ▪ Clear cover
L 04	3.8 x 3	96 x 77	Window for 4 modules ▪ Clear cover
L 06	5.1 x 3	130 x 77	Window for 6 modules ▪ Clear cover
L 08	6.4 x 3	162 x 77	Window for 8 modules ▪ Clear cover
L 10	7.8 x 3	199 x 77	Window for 10 modules ▪ Clear cover

## Polycarbonate (PC), IP 65

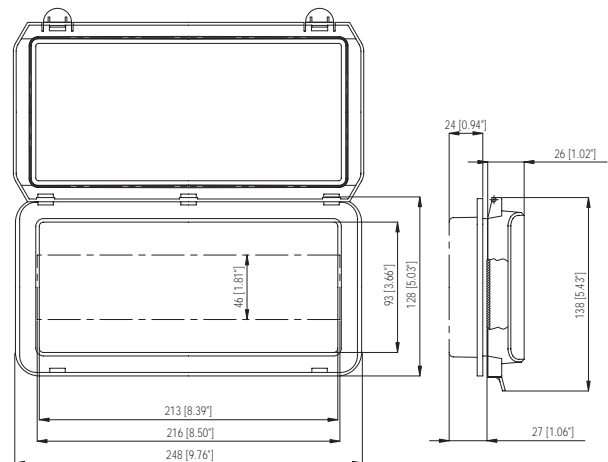
L 12	9.8 x 5	248 x 128	Window for 12 modules ▪ Low clear cover
L 12 II	9.8 x 5	248 x 128	Window for 12 modules ▪ Smoked transparent cover
L 13	10.1 x 4.3	257 x 108	Window for 13 modules ▪ Clear cover
L 24	9.8 x 8.6	248 x 218	Window for 24 modules ▪ Low clear cover
L 24 II	9.8 x 8.6	248 x 218	Window for 24 modules ▪ Smoked transparent cover
L 43 II	13 x 10.9	331 x 277	Window for 26 modules ▪ Smoked transparent cover
L 44 II	14.8 x 13	377 x 331	Window for 36 modules ▪ Smoked transparent cover

### L 02 – L 10

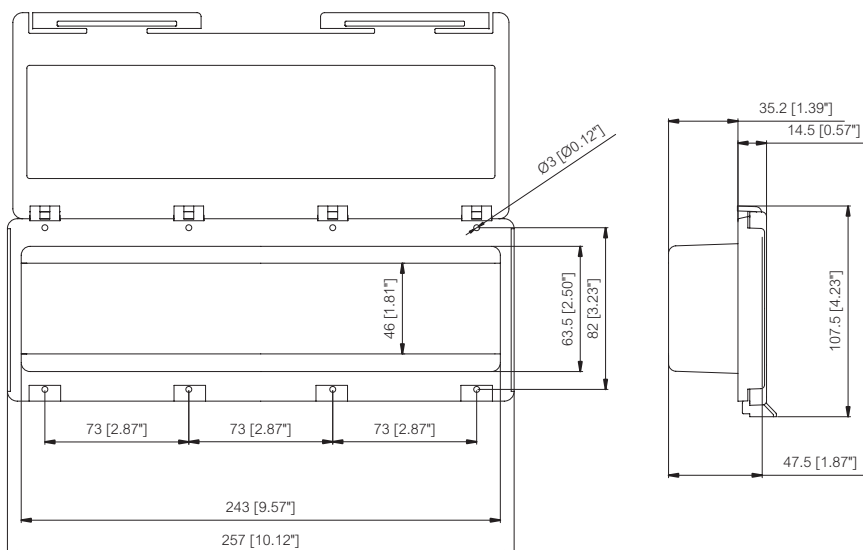


TYPE	A	B
L02	59 [2.32"]	44 [1.73"]
L04	94.5 [3.72"]	78 [3.07"]
L06	129.5 [5.10"]	114 [4.48"]
L08	163 [6.42"]	146 [5.75"]
L10	200 [7.87"]	183 [7.20"]

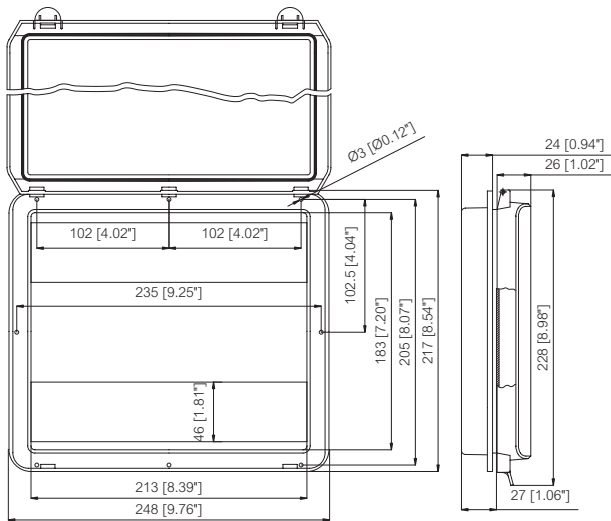
### L 12



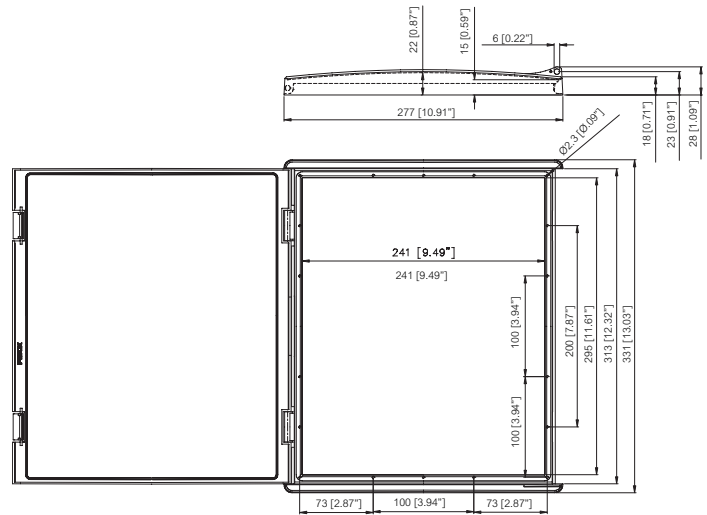
### L 13



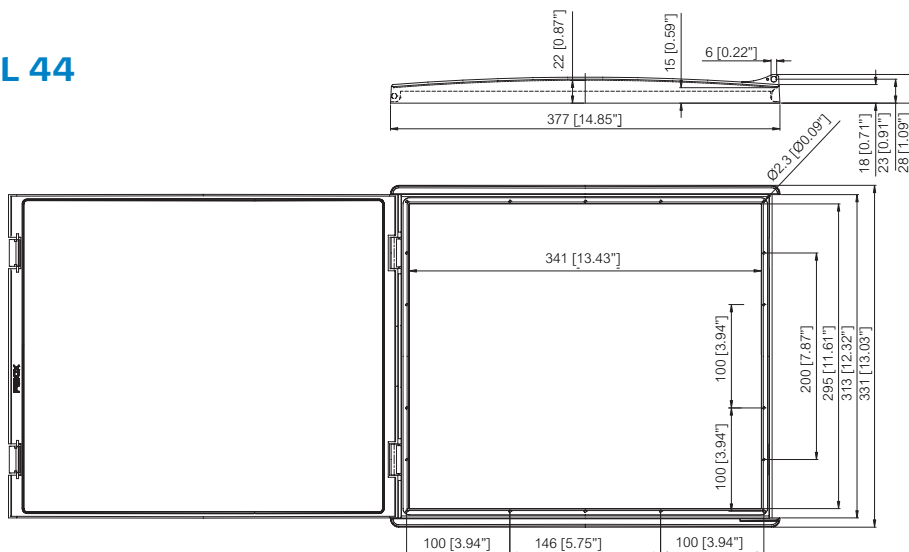
## L 24



## L 43



## L 44



## VENTILATION DEVICES

Order symbol	Description
MB 10564 II	Ventilation device IP 44 • Gasketed, incl. screws
MB 10858 II	Grille/filter holder • for MB 10564 II
MB 10859 II	Holder for fan • incl. screws
MB 10894	Pressure equalizer plug, IP 68 • light gray, thread M12 x 1,5
MB 10631	Ventilation device IP 33
MB 12189	Draining plug IP 34

