

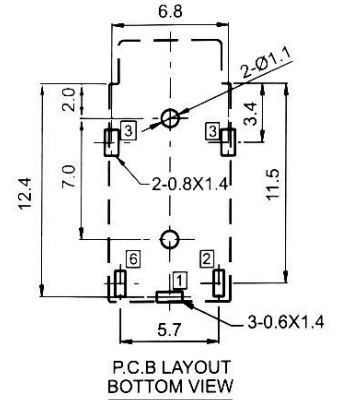
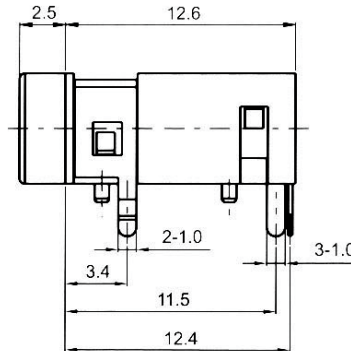
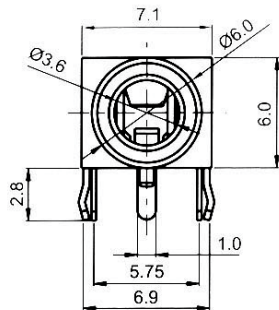
CLIFF

3.5mm 4 Pole Jack Sockets & Plugs



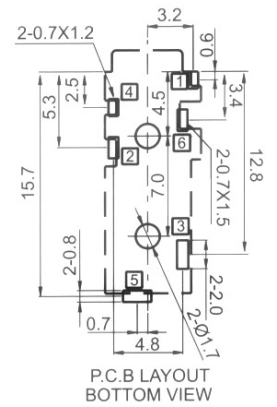
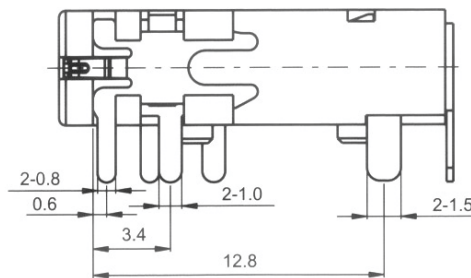
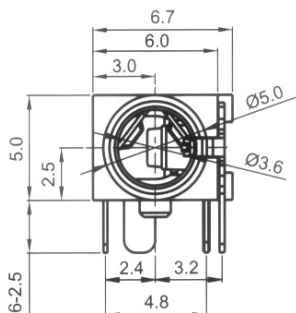
FC68125

Model No.	FC68125
Schematic	



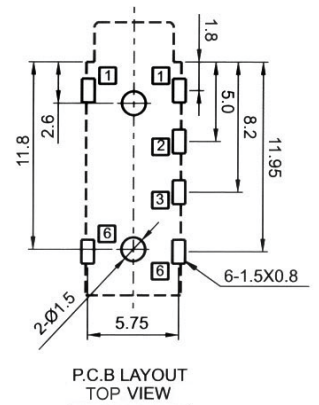
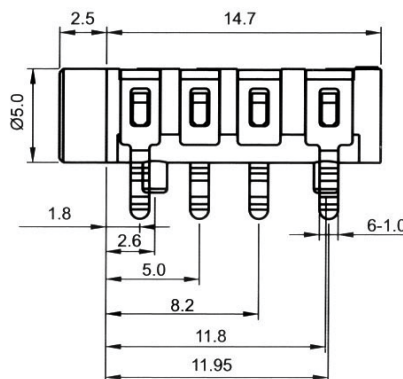
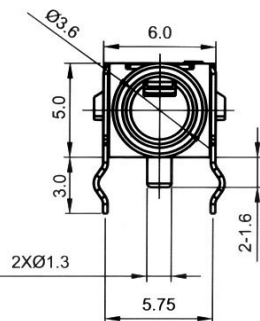
FC68126, FC68127

Model No.	Schematic
FC68126	
FC68127	



FC68128

Model No.	FC68128
Schematic	

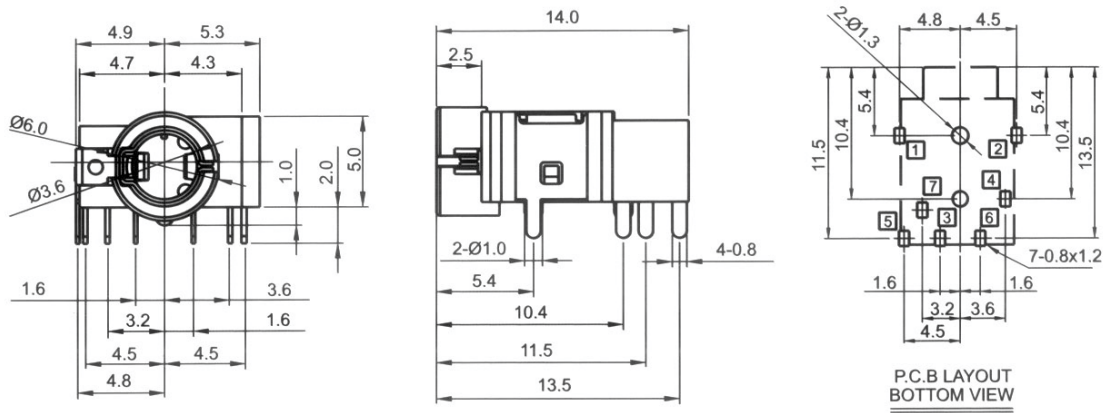
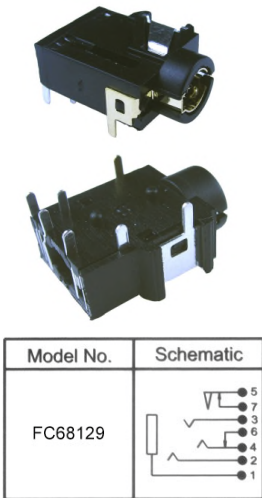


Not compatible with plug FC68124 or FC68124M. Suitable only for Jack plug cable FC68122C.

CLIFF

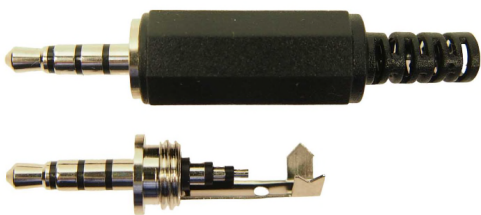
3.5mm 4 Pole Jack Sockets & Plugs

FC68129

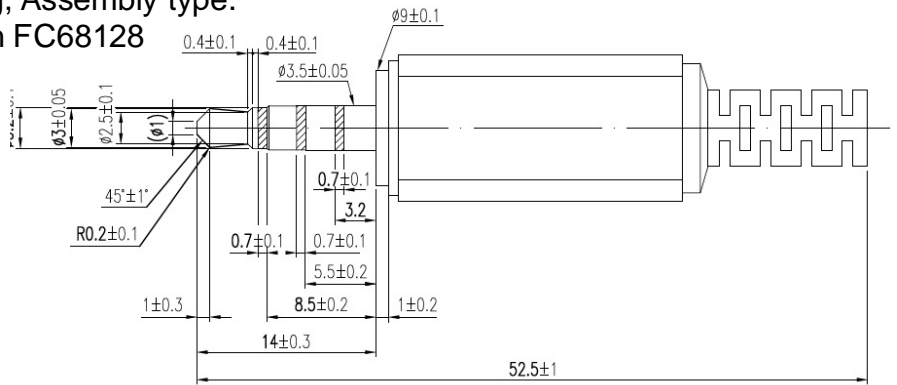


FC68124 - 3.5mm 4 pole Jack Plug, Assembly type.

Note: This plug is not to be used with FC68128



Max. cable diameter Ø4mm

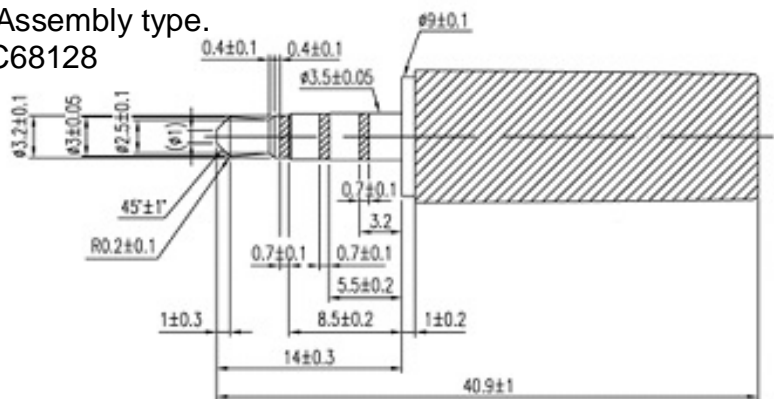


FC681245 - 3.5mm 4 pole Jack Plug, Assembly type.

Note: This plug is not to be used with FC68128

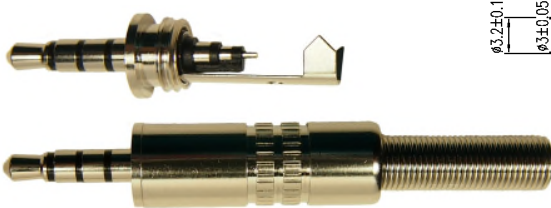


Max. cable diameter Ø5.5mm

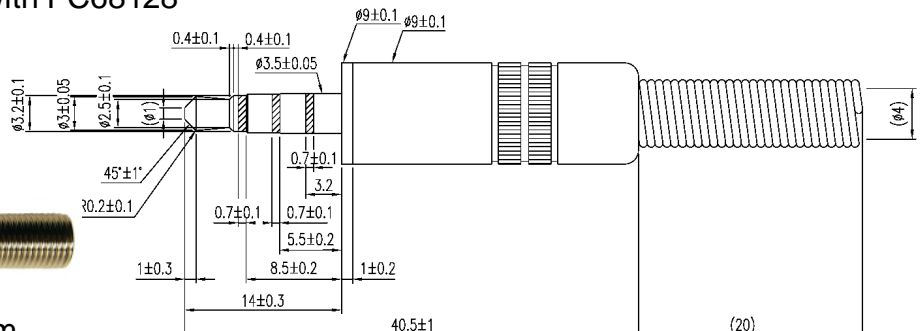


FC68124M - RFI Shielded 3.5mm 4 pole Jack Plug, Assembly type.

Note: This plug is not to be used with FC68128



Max. cable diameter Ø4mm



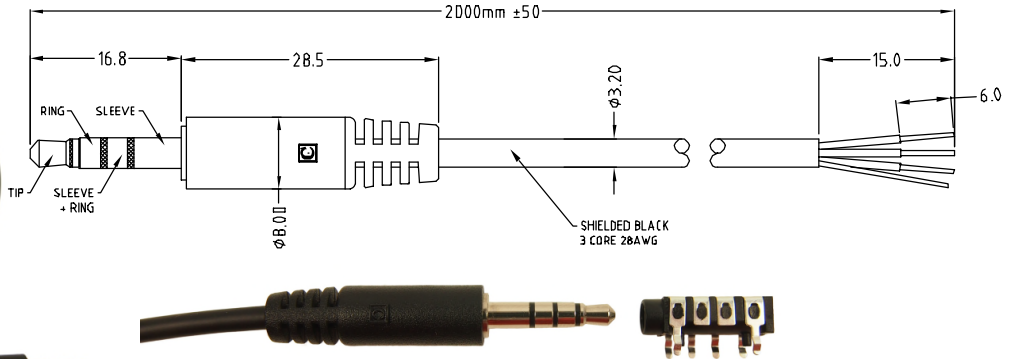
CLIFF

3.5mm 4 Pole Jack Sockets & Plugs

FC68122C



TIP - RED
RING - WHITE
SLEEVE+RING - BLACK
SLEEVE - SHIELD / EARTH



For use with FC68128

For further information, contact sales@cliffuk.co.uk

Cliff Electronic Components Limited,
76 Holmethorpe Avenue, Holmethorpe Ind. Estate,
Redhill, Surrey RH1 2PF U.K.
Tel: +44 (0)1737 771375 Fax: +44 (0)1737 766012



Visit us online at: www.cliffuk.co.uk