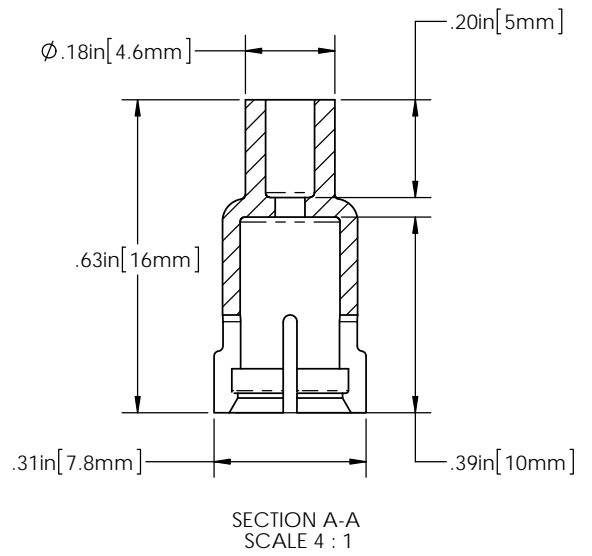
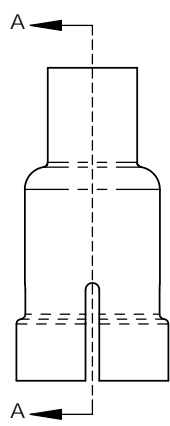
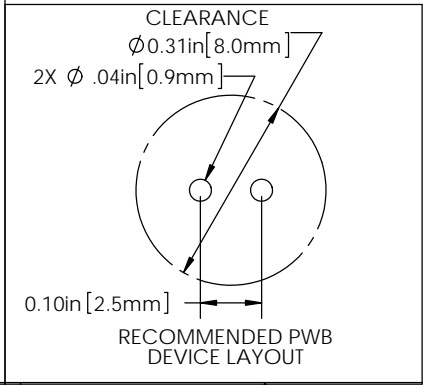
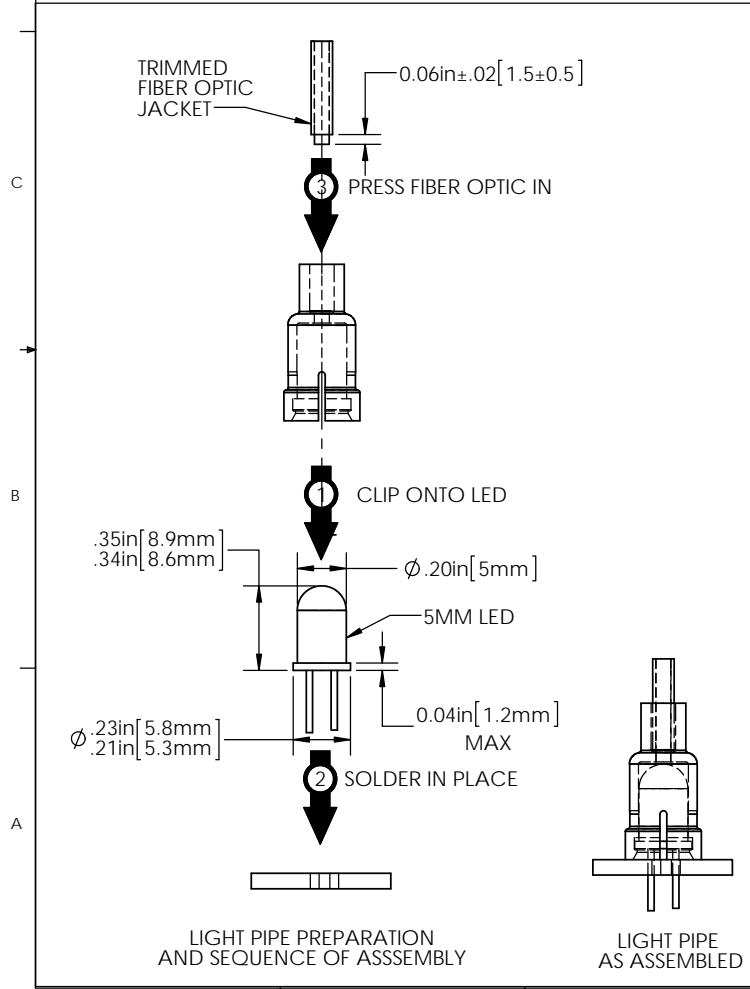
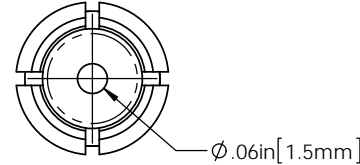


8 7 6 5 4 3 2 1

- NOTES**
1. ROHS COMPLIANT.
 2. UL 94-HB FLAMMABILITY RATING.
 3. -40°C TO 85°C OPERATING TEMPERATURE.
 4. SUITABLE FOR LIGHT PIPE WITH Ø2.2MM JACKET AND OPTICAL CORE NO GREATER THAN Ø1.5MM.
 5. DO NOT WAVE SOLDER WITH THIS DEVICE.
 6. FOR BEST RESULTS USE ONLY NARROW VIEWING ANGLE NON-DIFFUSED LEDS WITH OUTPUT POWER GREATER THAN 100mcd.

REVISIONS					
ECN #	REV.	DESCRIPTION	DATE	INITIALS	CHK'D
388	000	INITIAL RELEASE	1/4/12	KH	AZ
404	001	REVISED PER ECR 020612KH01	2/6/12	KH	AZ



<small>DIMENSION STYLE: INCHES (MM) GENERAL TOLERANCES UNLESS OTHERWISE SPECIFIED</small> <table border="1"> <tr> <th>INCHES</th> <th>MM</th> </tr> <tr> <td>X</td> <td>±.010 ±.250</td> </tr> <tr> <td>XX</td> <td>±.005 ±.127</td> </tr> <tr> <td>XXX</td> <td>±.001 ±.025</td> </tr> </table>	INCHES	MM	X	±.010 ±.250	XX	±.005 ±.127	XXX	±.001 ±.025	<small>APPROVAL</small> DRAWN: KHOWARD CHECKED: AZANELLI	<small>DATE</small> 1/4/12 1/10/12	OPTOELECTRONICS 190 BOSSTICK BLVD, SUITE 101 SAN MARCOS, CA 92069 U.S.A. PHONE: (760) 560-1300, FAX: (760) 560-1301 EMAIL: vccsales@vcc3ite.com
	INCHES	MM									
X	±.010 ±.250										
XX	±.005 ±.127										
XXX	±.001 ±.025										
<small>SURFACE FINISH</small> ✓ BREAK ALL EDGES AND SHARP CORNERS ✓ ANGLE 1/2"	<small>MATERIAL</small> NYLON 6/6, BLACK UL 94-HB	<small>TITLE:</small> MOUNT, 5mm THROUGH-HOLE LED									
<small>THIRD ANGLE PROJECTION</small> 	<small>FINISH</small> SEE NOTES	<small>SIZE</small> B	<small>DWG. NO.</small> THR 5 22	<small>REV</small> 001							
<small>PROPRIETARY AND CONFIDENTIAL</small> THE INFORMATION CONTAINED IN THIS DRAWING IS THE SOLE PROPERTY OF VISUAL COMMUNICATIONS COMPANY, INC. ANY REPRODUCTION IN PART OR AS A WHOLE WITHOUT THE WRITTEN PERMISSION OF VISUAL COMMUNICATIONS COMPANY, INC IS PROHIBITED.	DO NOT SCALE DRAWING	SCALE: 5:1	SHEET 1 OF 1								

8 7 6 5 4 3 2 1