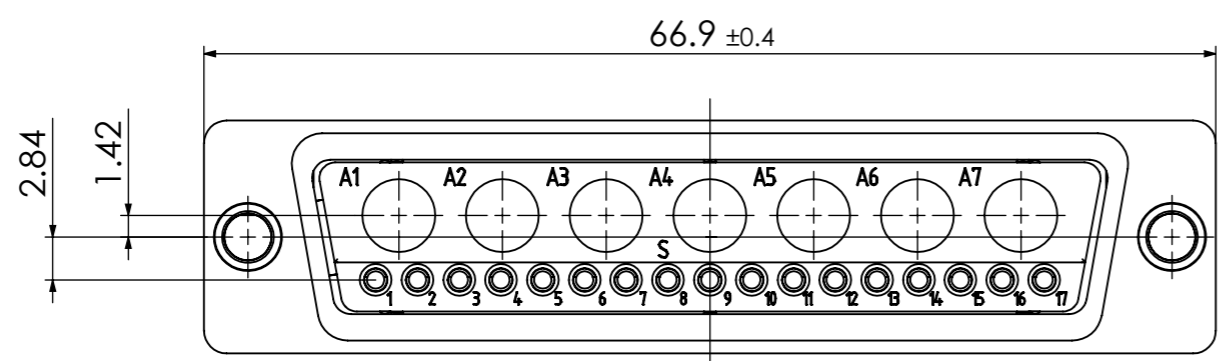
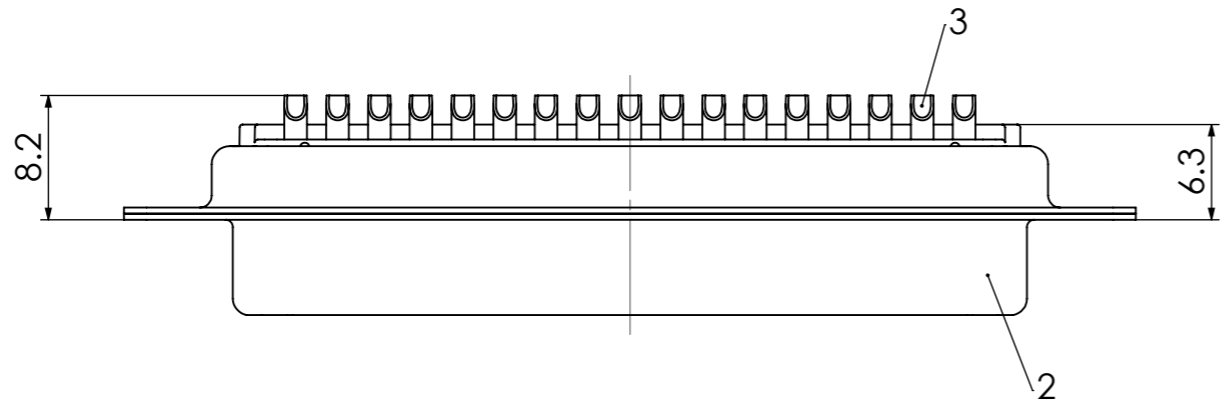
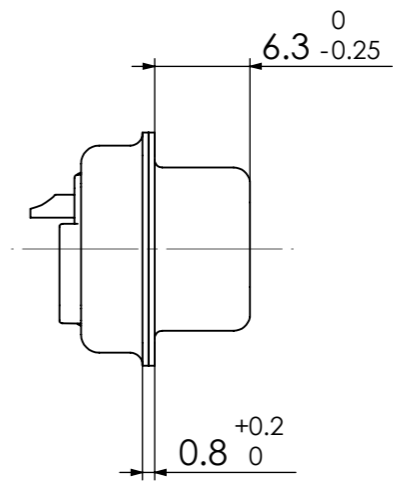
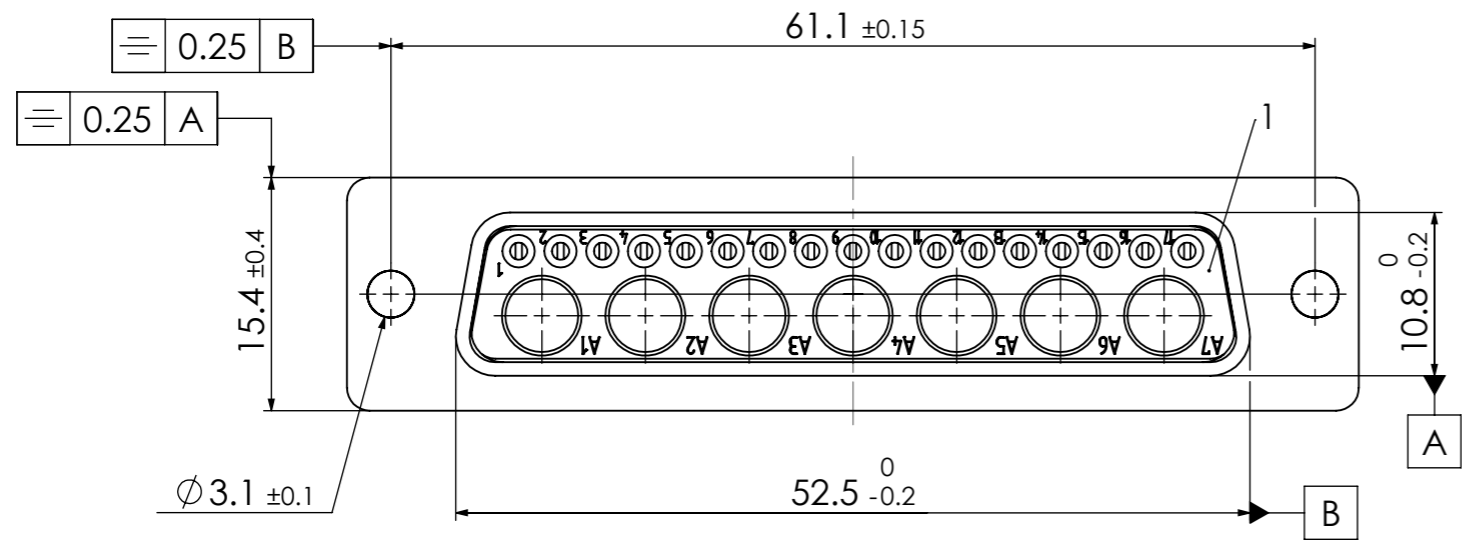


COMMENT:  
 ALL RIGHTS ARE RESERVED BY US FOR THIS DRAWING. WITHOUT OUR PRIOR CONSENT,  
 IT MAY NEITHER BE DUPLICATED NOR MADE AVAILABLE TO A THIRD PARTY.  
 AND IT ALSO MAY NOT BE IMPROPERLY USED BY THE RECEIVER, OR A THIRD PARTY.



RoHS compliant

No.	St.	Part	Type Description/Material	Surface plating/Colour/Class
3	17	Signal contact	S0 / Brass	AuroPur / AWG 20
2	1	Shell	Steel	tin plated
1	1	Insulator	PBT (-55°C - 130°C)	green

				Measurement without tolerance occ. to ISO 2768-m NAME / DATE DRAWN: sschref 09-04-2014 CHECKED: sschref 09-04-2014	SCALE: 2:1 TITLE: D-Sub Mixed-Layout Connector
1	REV.	DATE	CH.-NO.		DWG.NO.: FM24W7SA-K121 REPLACEMENT FOR:
			ORIGINAL: DIN A3-DRAWING AS A FILE		REV.: 1 PAGES: 1