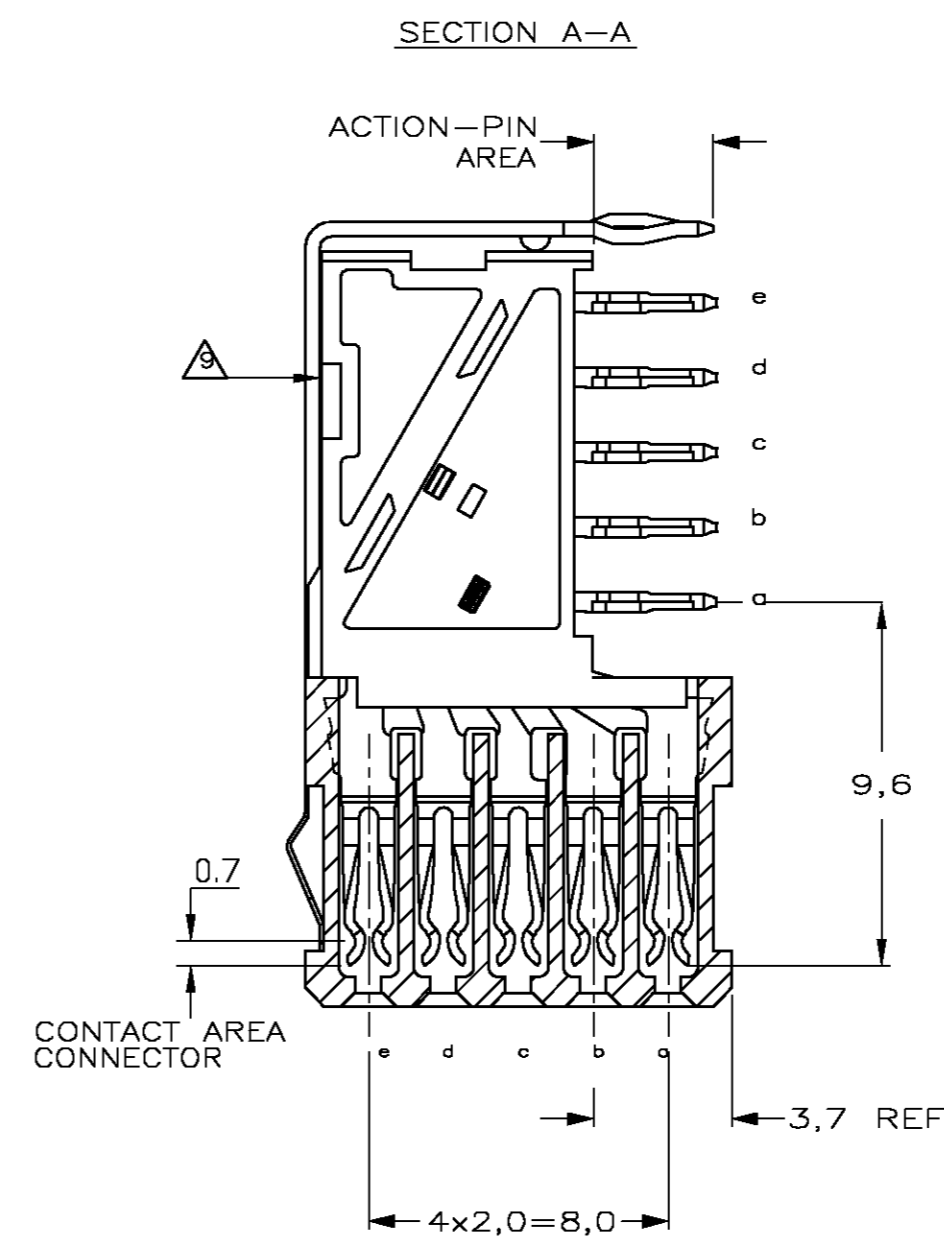
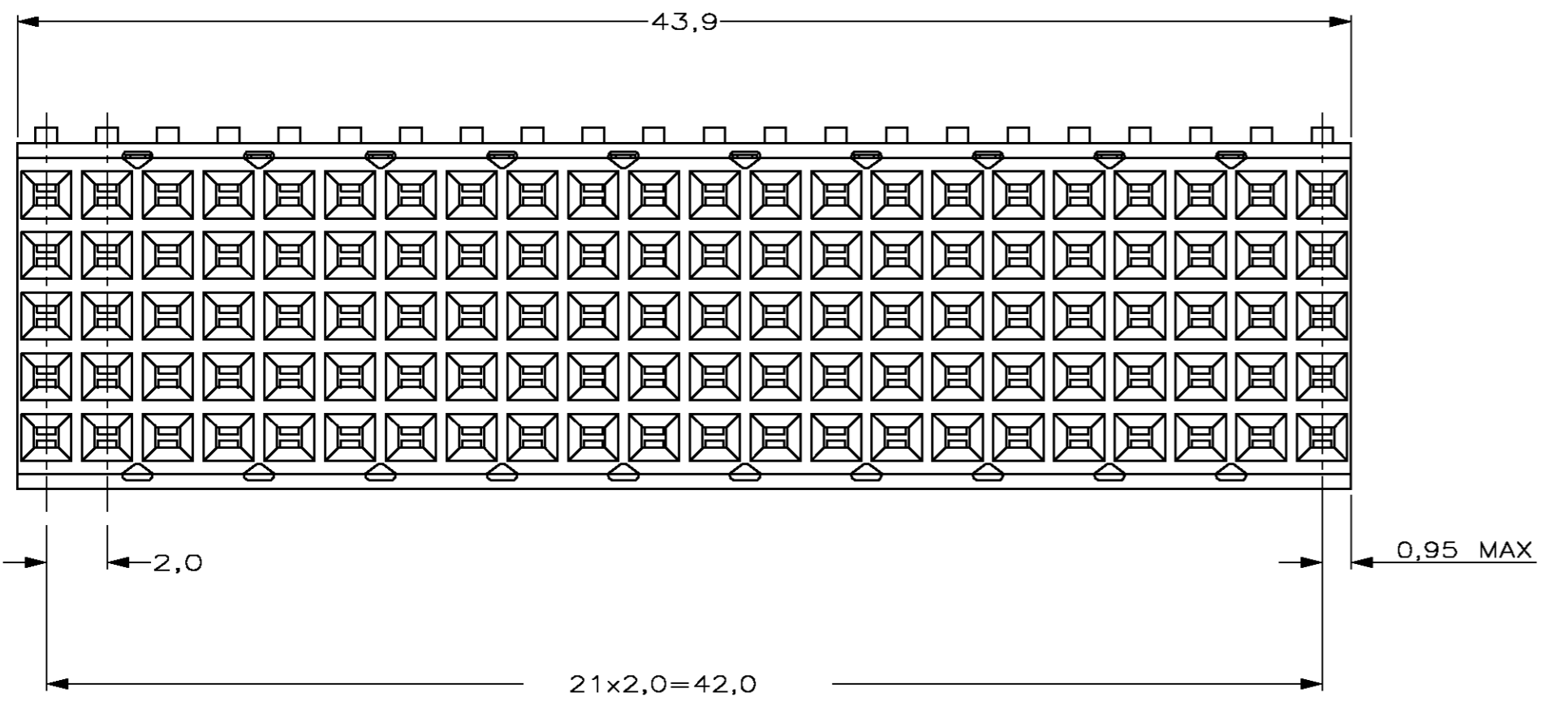
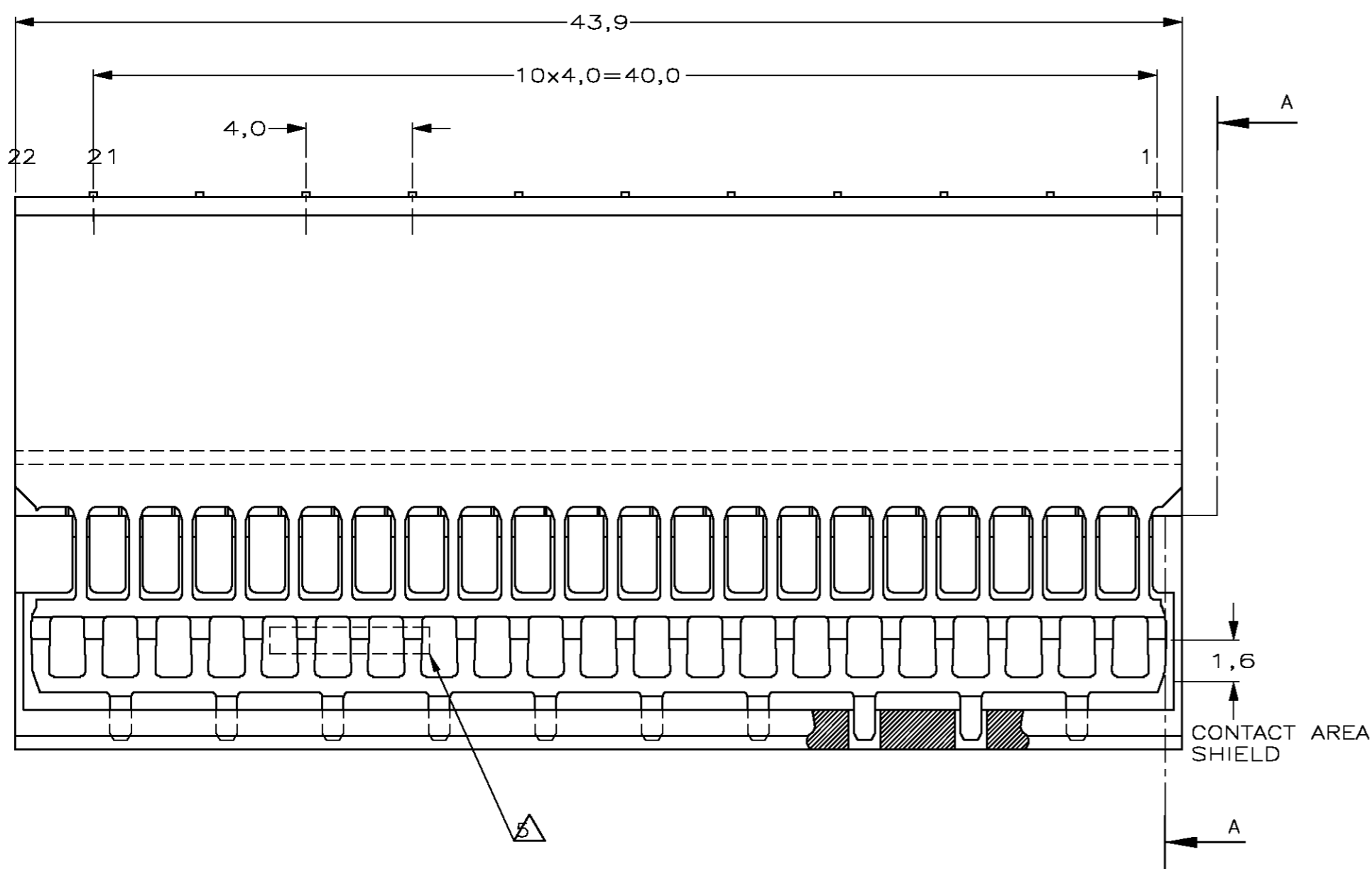
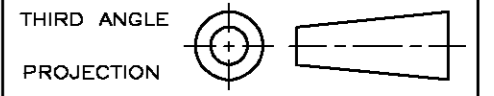
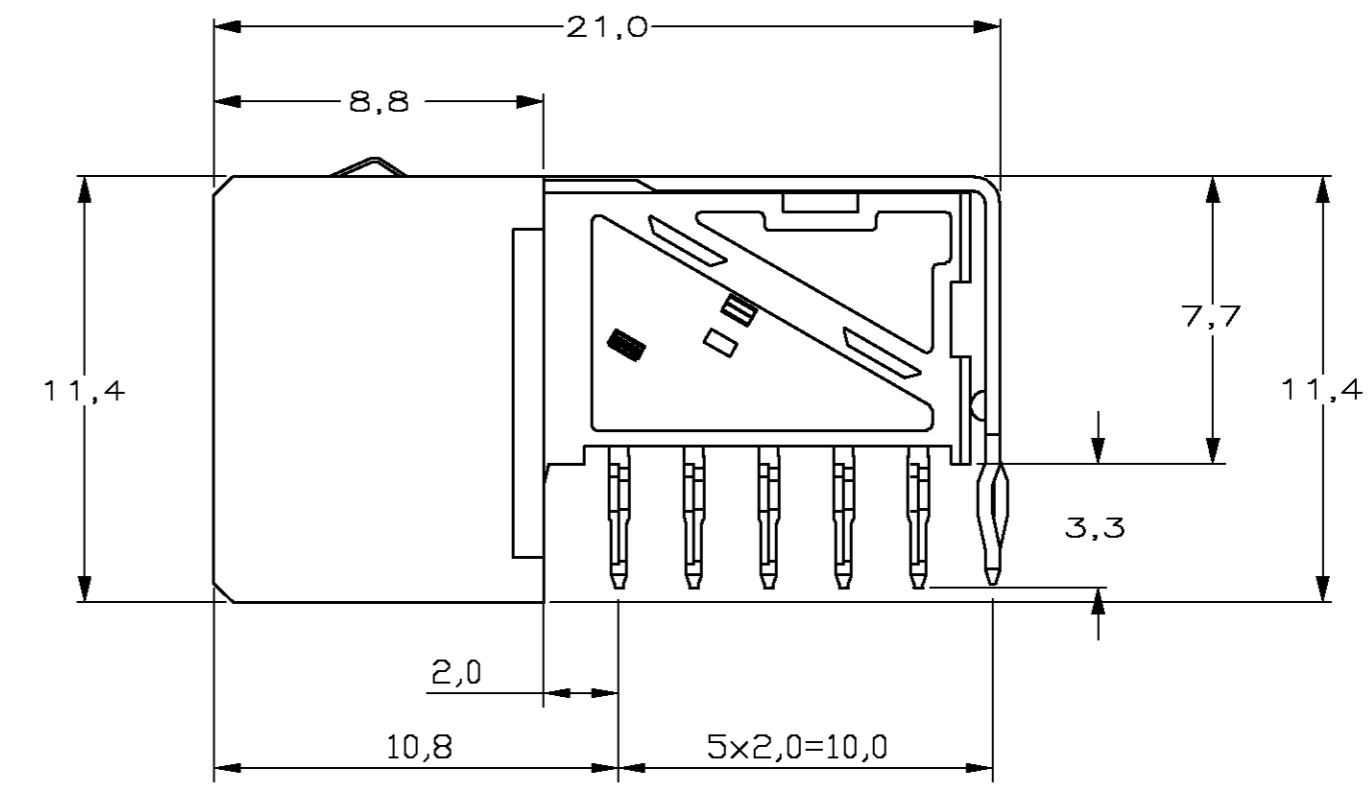


DO NOT SCALE
DIMENSIONS IN mm

METRIC

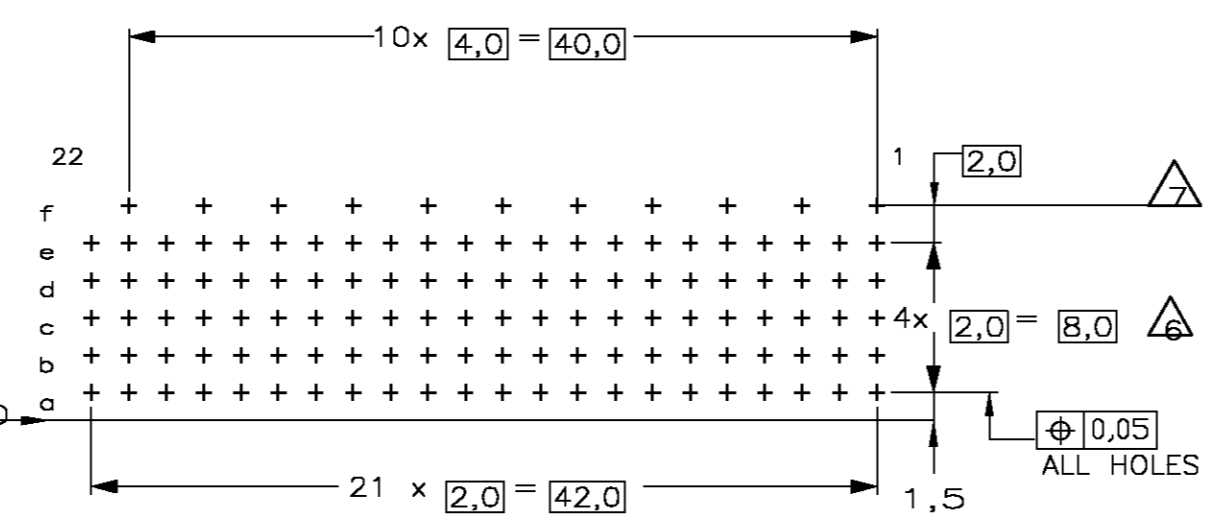


- NOTES:
- 1 PLATING CONNECTOR:
CONTACT AREA: 0,76µm Au MIN. OVER 1,27µm Ni MIN.
ACTION PIN : 0,5µm Sn MIN. OVER 1,27µm Ni MIN.
 - 2 PLATING CONNECTOR:
CONTACT AREA: 1,27µm Au MIN. OVER 1,27µm Ni MIN.
ACTION PIN : 0,5µm Sn MIN. OVER 1,27µm Ni MIN.
 - 3 PLATING SHIELD:
CONTACT AREA: 0,76µm Au MIN.
ACTION PIN : 0,5µm Sn MIN.
REMAINDER : Ni
 - 4 MATERIAL CONTACTS; PHOSPHORBRONZE
MATERIAL HOUSING; GLASSFILLED POLYESTER (GRAY)
 - 5 ASSEMBLY PRINTED WITH P/N AND DATECODE
THE MARKING CAN APPEAR ON THE FRONT SIDE OR BACK SIDE.
 - 6 HOLE PATTERN FOR FEMALE CONNECTOR TYPE B-22 COLUMNS
110 PLATED-THROUGH HOLES AT 2x2mm SQUARE GRID
 - 7 ROW "f" 11 PLATED THROUGH HOLES FOR UPERSHIELD
CONNECTOR & SHIELD LUBRICATED WITH BELLCORE
APPROVED LUBRICANT, TECHNICAL REFERENCE
TR-NWT-001217 ISSUE 1, SEPT. 1992.
CONNECTOR TESTED AND QUALIFIED AGAINST BELLCORE
QUALITY LEVEL III, CENTRAL OFFICE APPLICATIONS
 - 8 SHIELD MOUNTED ON CONNECTOR WITH DOUBLE SIDED
ADHESIVE TAPE
 - 10 BASIC P.N. LOWERSHIELD: 352468



PRODUCT SPEC	108-19082
APPLICATION SPEC	114-19029

COMPONENT SIDE AS SHOWN
RECOMMENDED PCB-HOLE LAY-OUT
SCALE 2,5:1



P.C.B. HOLE DIM. ACTION PIN
FIN. HOLE : 0,55 TO 0,65mm
OTHER REQUIREMENTS SEE
APPLICATION SPECIFICATION
114-19029

		FINISH		MATERIAL		PARTNUMBER
		1 2 3		4		352152-9
		5 6		7		352152-4
		8 9		10		352152-1
F	SR10-0117-03	DP	DP	21-MAY-03	CUSTOMER DRAWING FOR REFERENCE ONLY WILL NOT BE UPDATED	
E	SR10-0078-01	DKB	DP	11-MAY-01	© COPYRIGHT 19 96 BY AMP-HOLLAND B.V. ALL INTERNATIONAL RIGHTS RESERVED. AMP PRODUCTS MAY BE COVERED BY U.S. AND FOREIGN AND/OR PATENTS PENDING.	
D	EH-1243-00	RB	MB	09-NOV-00	THIS DRAWING IS UNPUBLISHED RELEASED FOR PUBLICATION	
C	EH-0804-00	RB	MB	20-JUL-00	19	
B	EH-1725-99	WvdH	WvdH	23-11-99	Tyco Electronics Corp. Oostkamp, Belgium.	
A	EH-0864-98	RvH	WvdH	10-JUNE-98	NAME	
O	EH-1098-96	DT	WvdH	23-SEP-96	Z-PACK 2mm HM TYPE B - 22 COLUMNS PRE-SHIELDED RECEPTACLE	
LTR.	REVISION RECORD	DR.	CHK.	DATE		
DR.:	D. TRUREN	CHK.:		APP.:	DWG.No.	REV.LTR.
DATE:	23-SEP-96	DATE:		DATE:	C-352152	1 OF 1