



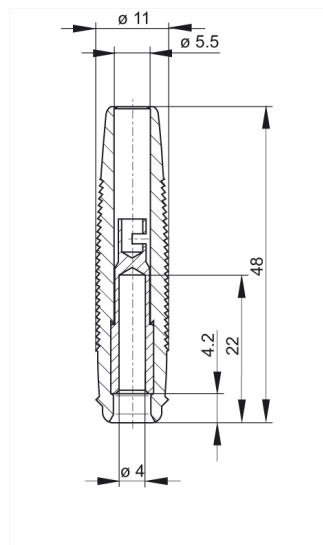
KUN 30 gelb/yellow

Industrial Connectors:Measuring and Testing Equipment:Sockets:4 mm system

Product description

Description	Shatter-proof, flexible, insulated coupling for a 4 mm diameter plug and solder connection up to a cable cross-section of 2.5 mm ² . Tin-plated brass socket.
Type	KUN 30 gelb/yellow
Order No.	931 804-103
System	4 mm system
Housing Color	yellow
Other standard types	black color, order no. 931 804-100; red color, order no. 931 804-101; blue color, order no. 931 804-102; green color, order no. 931 804-104

Drawing



Technical data

Type of contact	socket
Type of termination	solder
Rated voltage	DC 60 V
Rated current	16 A
Contact resistance	3 mOhm

Material

Contact material	brass
Contact surface material	tin-plated
Housing material	PVC-P

Environmental conditions

Temperature range	-25 °C to +70 °C
-------------------	------------------

Inflammability class

