

HF-Performer II Xtreme for TL5/TL-D lamps

HF-Performer Xtreme 280 TL5 EII 220-240V 50/60Hz



Enhance the quality of applications with robust driver technology HF-Performer Xtreme is a unique X-technology from Philips that guarantees the longest lifetime and highest reliability under the harshest conditions.

Product data

• General Characteristics

| | |
|------------------------------|-------------|
| Application code | EII |
| Rated Lamptype | TL5 |
| Rated Number of Lamps | 2 piece |
| Rated Ballast-Lamp Power | 80 |
| Line Voltage | 220-240 V |
| Line Frequency | 50/60 Hz |
| Housing | L 425x30x28 |
| Energy Efficiency Index | A2 |
| Lifetime 90% surv.@Tcaselife | 100000 hr |
| Ignition Method | Warm Start |

• Operating Characteristics

| | |
|--------------------------------|--------------|
| Automatic restart | Yes |
| Ignition time | 2.0 (max) s |
| Operating frequency | 42 (min) kHz |
| Mains voltage safety (AC) | -10%/+10% |
| Mains voltage performance (AC) | -8%/+6% |
| Inrush current Peak | 35 (max) A |
| Inrush current Width | 0.370 ms |
| Earth leakage current | 0.5 mA |
| Power losses gear | 11.9 W |
| Constant wattage deviation | -2%/+2% |
| Ballast Lumen Factor | 1.00 - |
| PowerFactor 100% | 0.96 - |
| output power | |
| Battery voltage lamp ignition | 198 V |

| | |
|--------------------------------|-------------|
| Battery voltage running lamps | 176-254 |
| Max ballast on MCB(16A type B) | 8 x |
| Crestfactor | 1.7 (max) - |
| Hum and Noise level | Inaudible |

• Wiring Characteristics

| | |
|---------------------------------|---|
| Cable-Cap output-wires to earth | 200 pF |
| Cable-Cap output-wires mutual | 200 pF |
| Conn.type input terminals | WAGO 251 universal connector [Suitable for both automatic wiring (ALF and ADS) and manual wiring] |
| Conn.type output terminals | WAGO 251 universal connector [Suitable for both automatic wiring (ALF and ADS) and manual wiring] |
| Striplength | 8.0-9.0 mm |
| Wcs Input terminals | 0.50-1.00 mm ² |
| Wcs Output terminals | 0.50-1.00 mm ² |
| Wcs auto insertion (ALF/ADS) | 0.5 mm ² |

• System Chars on driver level

| | |
|-------------------------|------|
| Rated Lamp Power on TL5 | 80 |
| System Power on TL5 | 91.9 |
| Lamp Power on TL5 | 80 |
| Power Loss on TL5 | 11.9 |



HF-Performer II Xtreme for TL5/TL-D lamps

• Temperature Characteristics

| | |
|----------------|-----------------------|
| T-case life | 75 C |
| T-case maximum | 75 (max) C |
| T-ignition | -25 (min), 60 (max) C |
| T-ambient | -25 (min), 60 (max) C |
| T-storage | -25 (min), 80 (max) C |

• Product Dimensions

| | |
|-------------------------|----------|
| Length A1 | 425.0 mm |
| Fixing Hole Distance | 415.0 mm |
| Length A2 | |
| Width B1 | 30.0 mm |
| Height C1 | 28.0 mm |
| Fixing Hole Diameter D1 | 4.2 mm |

• Approval & Application Chars

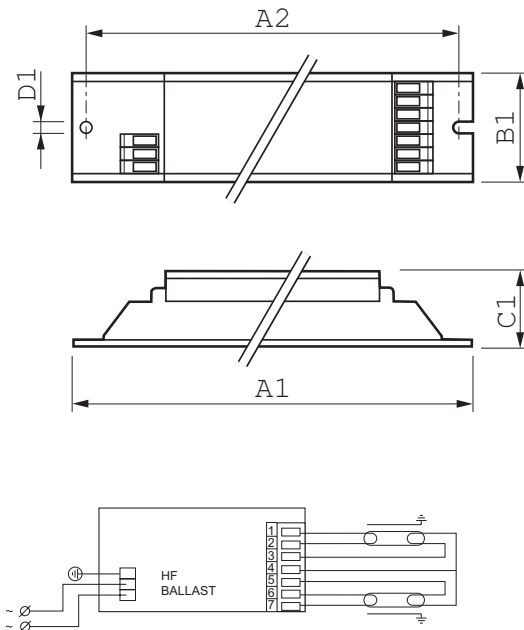
| | |
|------------------------|----------------------------------|
| EMI 9kHz .. 30 MHz | EN 55015 |
| EMI 30 MHz .. 1000MHz | EN 55022 level B [Level = Class] |
| Safety Standard | IEC 61347-2-3 |
| Performance Standard | IEC 60929 |
| Quality Standard | ISO 9000:2000 |
| Environmental Standard | ISO 14001 |

| | |
|----------------------------|------------------------|
| Harmonic current emissions | IEC 61000-3-2 |
| EMC Immunity | IEC 61547 |
| Vibrations | IEC 68-2-6 Fc |
| Bumps | IEC 68-2-29 Eb |
| Humidity | EN 61347-2-3 clause 11 |
| Approval marks | ENEC / VDE-EMV |
| CE marking | Yes |
| Temperature marking | 110 [Yes] |
| Emergency standard | IEC 60598-2-22 |

• Product Data

| | |
|-----------------------------|------------------------------|
| Order code | 913700630266 |
| Full product code | 913700630266 |
| Full product name | HF-P Xt 280 TL5 EII 220-240V |
| Order product name | HF-P Xt 280 TL5 EII 220-240V |
| Pieces per pack | 1 |
| Packing configuration | 12 |
| Packs per outerbox | 12 |
| Bar code on pack - EAN1 | 8711500914422 |
| Bar code on outerbox - EAN3 | 8711500914439 |
| Logistic code(s) - 12NC | 913700630266 |
| Net weight per piece | 0.520 kg |

Dimensional drawing



HF-Performer Xtreme 280 TL5 EII 220-240V 50/60Hz

| Product | A1 (Norm) | A2 (Norm) | B1 (Norm) | C1 (Norm) | D1 (Norm) |
|------------------------------|-----------|-----------|-----------|-----------|-----------|
| HF-P Xt 280 TL5 EII 220-240V | 425.0 | 415.0 | 30.0 | 28.0 | 4.2 |



© 2014 Koninklijke Philips N.V. (Royal Philips)
All rights reserved.

Specifications are subject to change without notice. Trademarks are the property of Koninklijke Philips N.V. (Royal Philips) or their respective owners.

www.philips.com/lighting

2014, April 11
data subject to change