

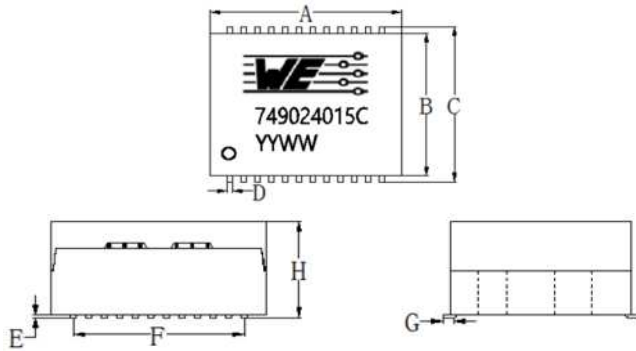
Spezifikation für Freigabe / specification for release

Kunde / customer : **Preliminary**
 Artikelnummer / part number : **749024015C**
 Bezeichnung : **LAN-Übertrager WE-LAN High Voltage**
 description : **LAN-Transformer WE-LAN High Voltage**



DATUM / DATE : 2018-07-16

A Mechanische Abmessungen / dimensions :



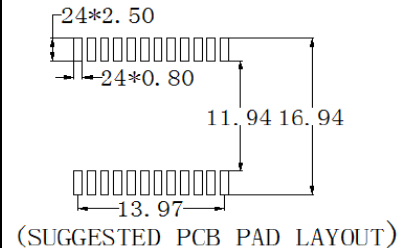
	1000 BaseT	
A	17,6 ± 0,25	mm
B	14,65 ± 0,25	mm
C	15,94 ± 0,25	mm
D	0,50 ± 0,12	mm
E	0,25 min	mm
F	13,97 ± 0,15	mm
G	0,98 ± 0,30	mm
H	8,80 ± 0,25	mm

● = Pin 1

B Elektrische Eigenschaften / electrical properties :

Eigenschaften / properties	Testbedingungen / test conditions		Wert / value	Einheit / unit	tol.
Induktivität / Inductance	100kHz / 100mV @ 8mA DC-Bias	OCL	350	µH	min.
Übersetzungsverhältnis / Turns ratio	100kHz / 100mV	TR	1 : 1	Tx	3%
			1 : 1	Rx	
Insertion Loss	1-100MHz	IL	-1,3	dB	max.
Return Loss	1-30MHz @ 100Ω	RL	-18	dB	min.
	30-60MHz @ 100Ω		-13		
	60-80MHz @ 100Ω		-10		
	80-100MHz @ 100Ω		-8		
Differential to Common Mode Rejection	30MHz	DCMR	-42	dB	min.
	60MHz		-37		
	100MHz		-33		
Crosstalk	60MHz	CT	-33	dB	min.
	100MHz		-30		

C Lötpad / soldering spec. :



D Prüfgeräte / test equipment :

HP-4284 CH-19073
 HP-8714 CH-3250

E Testbedingungen / test conditions :

Luftfeuchtigkeit / humidity: 33%
 Umgebungstemperatur / temperature: +25°C

F Werkstoffe & Zulassungen / material & approvals :

Basismaterial / base material: Ferrit/ ferrite
 Draht / wire: PFA180 (pri.)
 QPN180 (sec.)
 Kontaktmaterial/ contact plating: Cu-Ni-Sn
 Gehäuse/ case: Bakelite & UL94-V0

G Eigenschaften / general specifications :

Betriebstemp. / operating temperature: -40°C - + 85°C
 Hochspannungsprüfung / Hipot test: 1500Vrms 1min.
 Geeignet für 10/100Base-TX gemäß IEEE 802.3u /
 Coplanarität / Coplanarity: < 0,1 mm
 Auto MDIX fähig / Auto MDIX capable
 Designed gemäß IEC60601-1 mit 4mm min. Kriech- und 2,4mm min. Luftstrecke für 1xMOOP
 Designed to comply with IEC60601-1 with 4mm min. creepage and 2,4mm min. clearance distance for 1xMOOP

Freigabe erteilt / general release:	Kunde / customer		
.....		
Datum / date	Unterschrift / signature	JaB	Preliminary 4 2018-07-16
.....	JaB	Preliminary 3 2017-08-29
.....	JaB	Preliminary 2 2017-07-18
.....	JaB	Preliminary 2017-07-06
Geprüft / checked	Kontrolliert / approved	Name	Änderung / modification Datum / date

Würth Elektronik eiSos GmbH & Co.KG

D-74638 Waldenburg · Max-Eyth-Straße 1 - 3 · Germany · Telefon (+49) (0) 7942 - 945 - 0 · Telefax (+49) (0) 7942 - 945 - 400
<http://www.we-online.com>

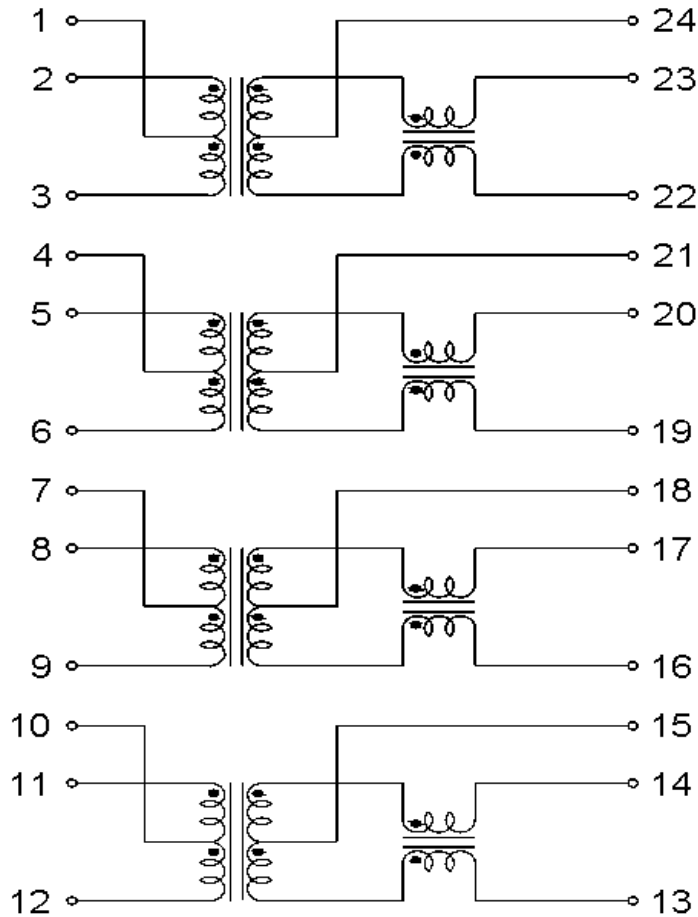
Spezifikation für Freigabe / specification for release

Kunde / customer : **Preliminary**
 Artikelnummer / part number : **749024015C**
 Bezeichnung : **LAN-Übertrager WE-LAN High Voltage**
 description : **LAN-Transformer WE-LAN High Voltage**



DATUM / DATE : 2018-07-16

H Schaltbild / Schematics :



Freigabe erteilt / general release:	Kunde / customer			
.....			
Datum / date	Unterschrift / signature	JaB	Preliminary 4	2018-07-16
	Würth Elektronik	JaB	Preliminary 3	2017-08-29
.....	JaB	Preliminary 2	2017-07-18
Geprüft / checked	Kontrolliert / approved	JaB	Preliminary	2017-07-06
		Name	Änderung / modification	Datum / date

Würth Elektronik eiSos GmbH & Co.KG

D-74638 Waldenburg · Max-Eyth-Straße 1 - 3 · Germany · Telefon (+49) (0) 7942 - 945 - 0 · Telefax (+49) (0) 7942 - 945 - 400
<http://www.we-online.com>

Spezifikation für Freigabe / specification for release

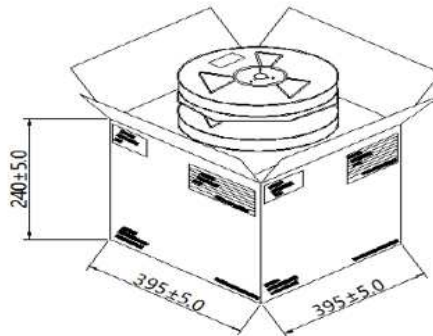
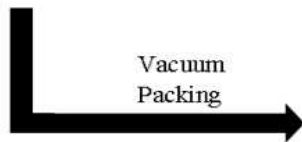
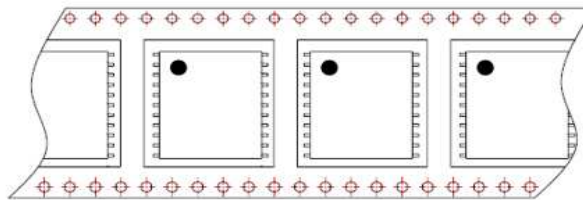
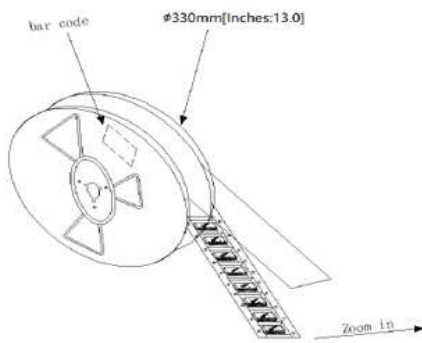
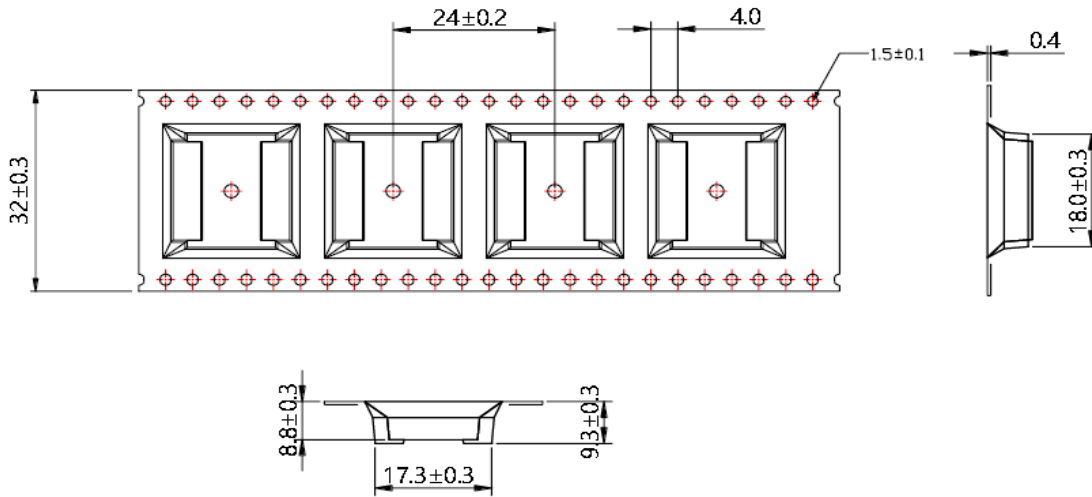
Kunde / customer : **Preliminary**
 Artikelnummer / part number : **749024015C**
 Bezeichnung : **LAN-Übertrager WE-LAN High Voltage**
 description : **LAN-Transformer WE-LAN High Voltage**



DATUM / DATE : 2018-07-16

I Rollenspezifikation / tape and reel specification :

Gurtspezifikation / Tape specification:



Quantity:
 400 pcs/reel
 5 reel/carton
 2000 pcs/carton

Freigabe erteilt / general release:	Kunde / customer			
.....			
Datum / date	Unterschrift / signature	JaB	Preliminary 4	2018-07-16
.....	Würth Elektronik	JaB	Preliminary 3	2017-08-29
.....	JaB	Preliminary 2	2017-07-18
.....	JaB	Preliminary	2017-07-06
Geprüft / checked	Kontrolliert / approved	Name	Änderung / modification	Datum / date

This electronic component has been designed and developed for usage in general electronic equipment. Before incorporating this component into any equipment where higher safety and reliability is especially required or if there is the possibility of direct damage or injury to human body, for example in the range of aerospace, aviation, nuclear control, submarine, transportation, (automotive control, train control, ship control), transportation signal, disaster prevention, medical, public information network etc. Würth Elektronik eiSos GmbH must be informed before the design-in stage. In addition, sufficient reliability evaluation checks for safety must be performed on every electronic component which is used in electrical circuits that require high safety and reliability functions or performance.

Würth Elektronik eiSos GmbH & Co.KG

D-74638 Waldenburg · Max-Eyth-Straße 1 - 3 · Germany · Telefon (+49) (0) 7942 - 945 - 0 · Telefax (+49) (0) 7942 - 945 - 400
<http://www.we-online.com>