

52042 ✓ ACTIVE

PLASTI-GRIP | PLASTI-GRIP

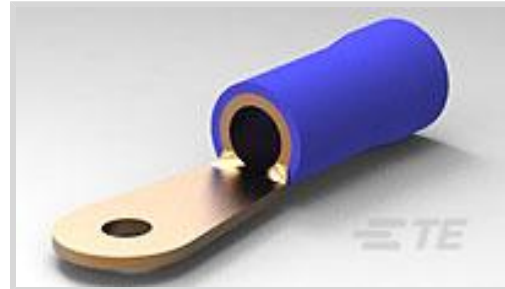
TE Internal #: 52042

PLASTI-GRIP, Ring Terminals & Spade Terminals, Ring Tongue,  
6AWG Wire Size, 13 – 15mm<sup>2</sup> Wire Size, 20800 – 33100CMA Wire  
Size, M4 / #8

[View on TE.com >](#)



Terminals & Splices > Ring Terminals & Spade Terminals



Terminal & Splice Type: **Ring Tongue**

Wire Size: **20800 – 33100 CMA**

Ring & Spade Stud Size: **#8, M4**

## Features

### Product Type Features

Shape Description	RING-044
Ring & Spade Stud Size	#8, M4
Ring & Spade Barrel Type	Closed Barrel
Sealable	No
Insulated	Yes
Ring & Spade Wire/Cable Type	Regular Wire
Support Style	Insulation Support

### Configuration Features

Number of Holes	1
Terminal Angle	Straight

### Electrical Characteristics

Voltage (Max)	600 V
---------------	-------

### Body Features

Inspection Slot	No
Insulation Sleeve Color	Blue
Stripe Color	Blue
Ring & Spade Plating Material	Copper, Tin

### Contact Features

Terminal & Splice Type	Ring Tongue
------------------------	-------------



Ring &amp; Spade Terminal Orientation

Offset

### Mechanical Attachment

Wire Insulation Support

With

### Dimensions

Wire Size

20800 – 33100 CMA

Stud Diameter

4.34 mm[.171 in]

Tongue Thickness

1.14 mm[.045 in]

Ring &amp; Spade Overall Length

46.84 mm[1.844 in]

Ring &amp; Spade Wire Insulation Diameter (Max)

11.07 mm[.436 in]

Ring &amp; Spade Wire Insulation Diameter

11.07 mm[.436 in]

### Usage Conditions

Insulation Requirement

Partially Insulated

Operating Temperature Range

105 °C[221 °F]

### Operation/Application

Heavy Duty

No

### Industry Standards

Government Qualified

No

### Packaging Features

Packaging Quantity

100

Ring &amp; Spade Packaging Method

Loose Piece

### Product Compliance

For compliance documentation, visit the product page on [TE.com](https://www.te.com)>

EU RoHS Directive 2011/65/EU

Compliant

EU ELV Directive 2000/53/EC

Compliant

China RoHS 2 Directive MIIT Order No 32, 2016

No Restricted Materials Above Threshold

EU REACH Regulation (EC) No. 1907/2006

Current ECHA Candidate List: JAN 2021  
(211)  
Candidate List Declared Against: JAN 2018  
(181)  
SVHC > Threshold:  
Not Yet Reviewed

Halogen Content

Not Low Halogen - contains Br or Cl > 900  
ppm.

Solder Process Capability

Not applicable for solder process capability

Product Compliance Disclaimer

This information is provided based on reasonable inquiry of our suppliers and represents our current actual knowledge based on the information they provided. This information is subject to change. The part numbers that TE has identified as EU RoHS compliant have a maximum concentration of 0.1% by weight in homogenous materials for lead, hexavalent chromium, mercury, PBB, PBDE, DBP, BBP, DEHP, DIBP, and 0.01% for cadmium, or qualify for an exemption to these limits as defined in the Annexes of Directive 2011/65/EU (RoHS2). Finished electrical and electronic equipment products will be CE marked as required by Directive 2011/65/EU. Components may not be CE marked. Additionally, the part numbers that TE has identified as EU ELV compliant have a maximum concentration of 0.1% by weight in homogenous materials for lead, hexavalent chromium, and mercury, and 0.01% for cadmium, or qualify for an exemption to these limits as defined in the Annexes of Directive 2000/53/EC (ELV). Regarding the REACH Regulations, TE's information on SVHC in articles for this part number is still based on the European Chemical Agency (ECHA) 'Guidance on requirements for substances in articles' (Version: 2, April 2011), applying the 0.1% weight on weight concentration threshold at the finished product level. TE is aware of the European Court of Justice ruling of September 10th, 2015 also known as O5A (Once An Article Always An Article) stating that, in case of 'complex object', the threshold for a SVHC must be applied to both the product as a whole and simultaneously to each of the articles forming part of its composition. TE has evaluated this ruling based on the new ECHA "Guidance on requirements for substances in articles" (June 2017, version 4.0) and will be updating its statements accordingly.

### Compatible Parts



TE Part # 52042-3  
TERMINAL,R PG 6 1/4



TE Part # 52042-1  
TERMINAL,R PG 6 1/4



TE Part # 52042-7  
TERMINAL R PG 6 1/4



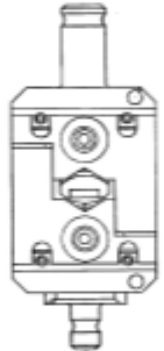
TE Part # 52042-2  
TERMINAL,R PG 6 8



TE Part # 52042-4  
TERMINAL,R PG 6 10



TE Part # 52042-5  
TERMINAL,R PG 6 10



TE Part # 48753-1  
HYP8 PLASTI-GRIP 6AWG 69051 DIE SET



TE Part # 47821  
HYP8 TERMINYL 6AWG DIE SET



TE Part # 52042-9  
TERMINAL R PG 6 1/4



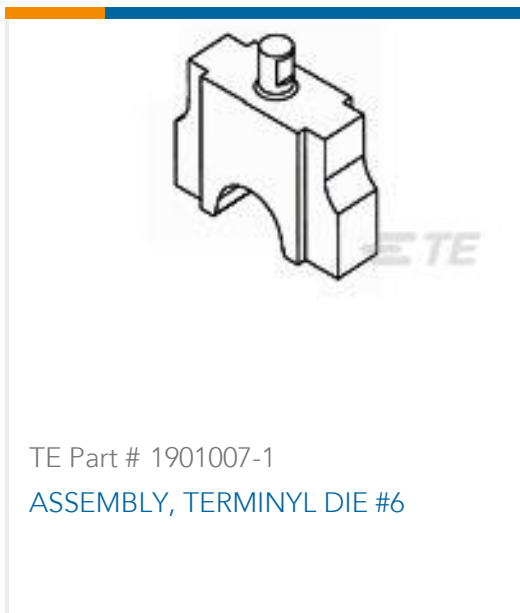
TE Part # 1-52042-0  
TERMINAL,PG R 6 10



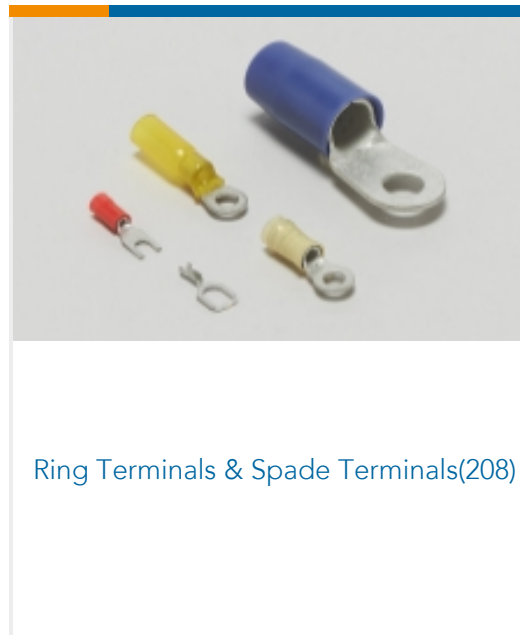
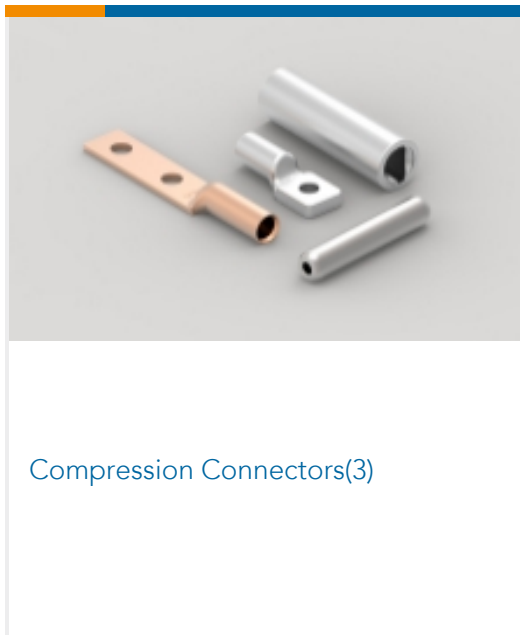
TE Part # 1490535-1  
HYP10 PLASTI-GRIP 6AWG DIE SET



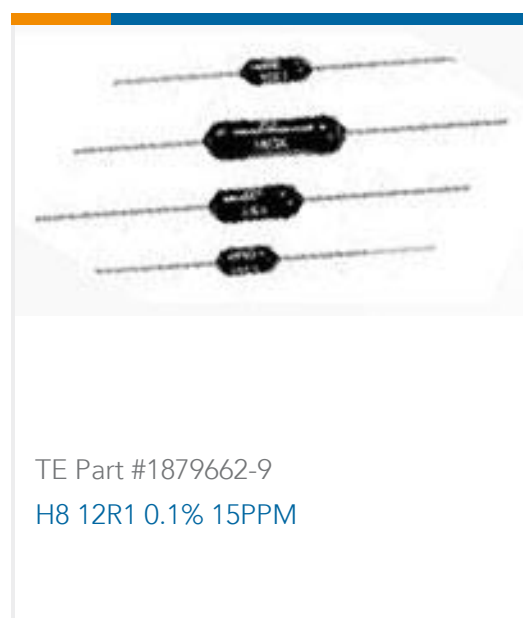
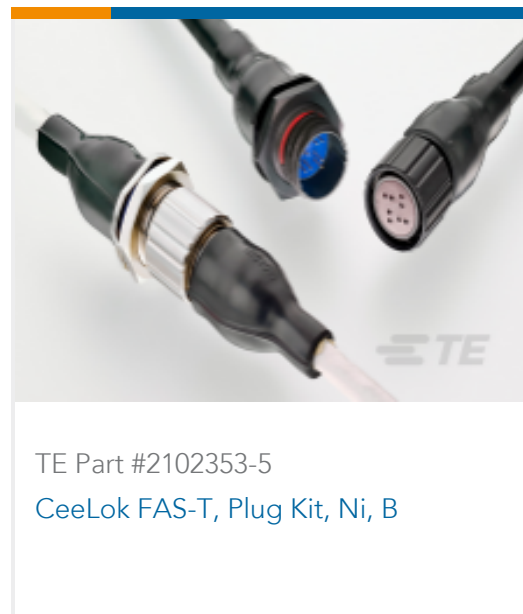
TE Part # 1490598-1  
HYP10 TERMINYL 6AWG DIE SET



Also in the Series | **PLASTI-GRIP**



Customers Also Bought



## Documents

### Product Drawings

#### TERMINAL,R PG 6 8

English

---

### CAD Files

#### 3D PDF

3D

#### Customer View Model

##### ENG\_CVM\_CVM\_52042\_AD.2d\_dxf.zip

English

#### Customer View Model

##### ENG\_CVM\_CVM\_52042\_AD.3d\_igs.zip

English

#### Customer View Model

##### ENG\_CVM\_CVM\_52042\_AD.3d\_stp.zip

English

By downloading the CAD file I accept and agree to the [Terms and Conditions](#) of use.

---

### Product Specifications

#### Application Specification

English

---

### Instruction Sheets

#### Instruction Sheet (U.S.)

English

---

### Agency Approvals

#### UL Report

English

#### UL Report

English