

⚡ ⚠ DANGER

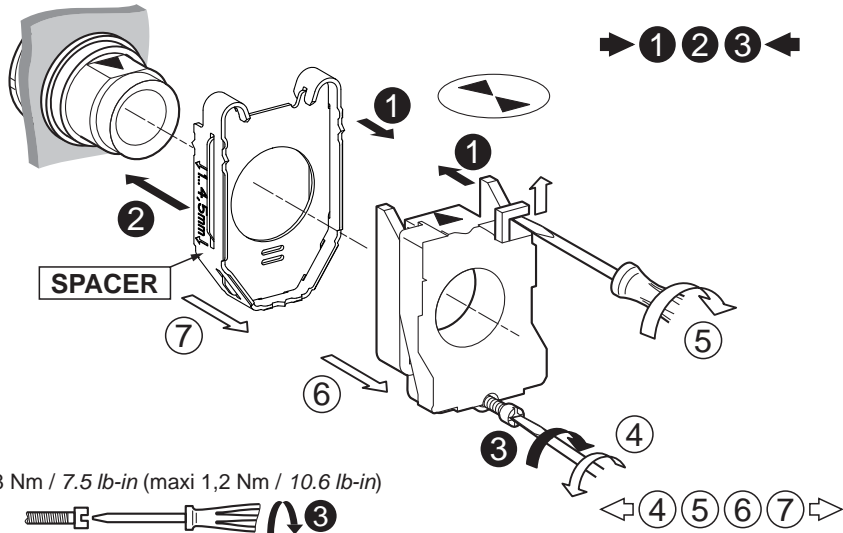
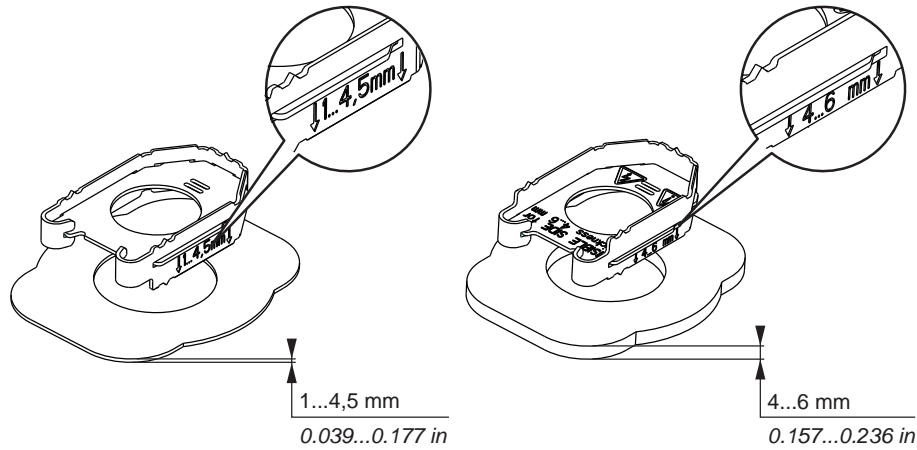
HAZARD OF ELECTRIC SHOCK

- Install the product following the installation conditions described below.
- Hole shape and diameter, tightening torques and spacer orientation must comply with these instructions.
- The accessory ZB5AZ905 must be used to tighten the nut.
- Ground the XB4F.. / ZB4F.. when installed on isolating support.

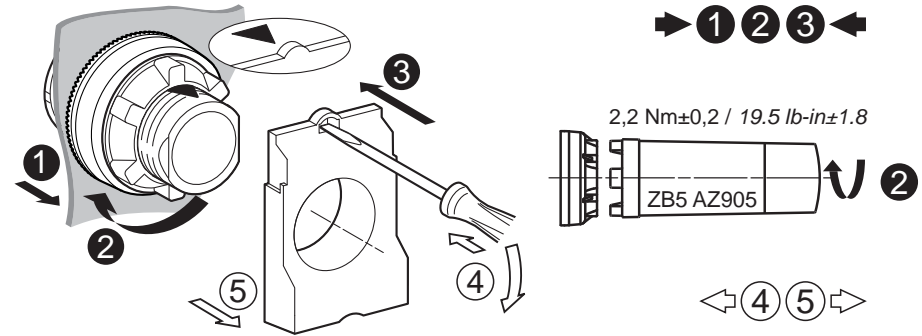
Failure to follow these instructions will result in death or serious injury.

Electrical equipment should be installed, operated, serviced, and maintained only by qualified personnel. No responsibility is assumed by Schneider Electric for any consequences arising out of the use of this material.

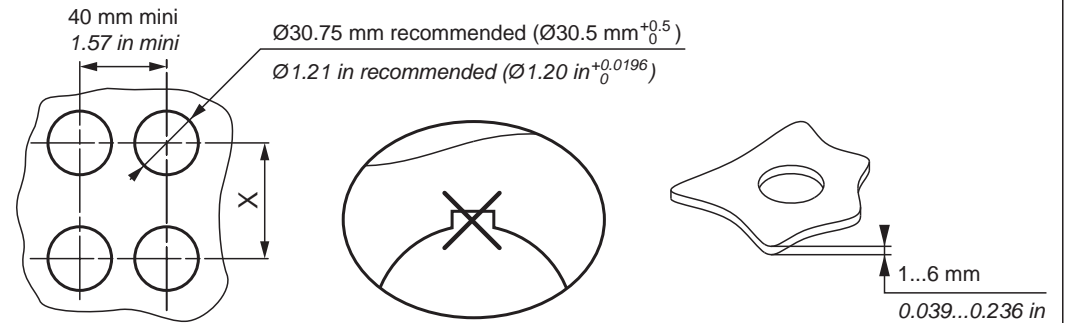
XB4F.. / ZB4F..



XB5F.. / ZB5F..



For use on flat surface of a type 4, type 4X, type 12, and type 13



XB4F.. / ZB4F.. X = 50 mm / 1.97 in	XB4F.. / ZB4F.. XB5F.. / ZB5F.. X = 50 mm / 1.97 in
XB5F.. / ZB5F.. X = 40 mm / 1.57 in	

mm inch	6,8 0,27	6,8 0,27	
mm ² AWG	0,22...2,5 24...14	0,22...2,5 24...14	0,22...1,5 24...16



For EU Declaration of Conformity see: www.schneider-electric.com