

Digital module - AXL SE DO4/2 2A EF



1181790

<https://www.phoenixcontact.com/gb/products/1181790>

Please be informed that the data shown in this PDF document is generated from our Online Catalog. Please find the complete data in the user documentation. Our General Terms of Use for Downloads are valid.



Axioline Smart Elements, Digital output module, Digital outputs: 4, 24 V DC, 2 A, connection technology: 2-conductor, degree of protection: IP20

Product Description

You can integrate Axioline Smart Elements into systems with the Smart Element interface. This Smart Element emits digital signals.

Your advantages

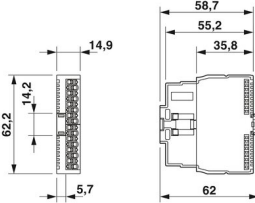
- 4 digital outputs
- 24 V DC, 2 A
- Connection of actuators in 2-conductor technology
- Substitute value behavior of the outputs can be parameterized for the Smart Element
- Feed-in of the I/O supply on the Smart Element
- Single-channel diagnostics
- Mapping of the channel status in the input process data
- Device rating plate stored

Commercial Data

Item number	1181790
Packing unit	1 pc
Minimum order quantity	1 pc
Sales Key	DRIB32
Product Key	DRIB32
GTIN	4063151359430
Weight per Piece (including packing)	38.2 g
Weight per Piece (excluding packing)	38.2 g
Customs tariff number	85389091
Country of origin	DE

Technical Data

Dimensions

Dimensional drawing	
Width	14.9 mm
Height	62.2 mm
Depth	62 mm

Notes

Utilization restriction

EMC note	EMC: class A product, see manufacturer's declaration in the download area
----------	---

Material specifications

Color	traffic grey A RAL 7042
-------	-------------------------

Interfaces

Smart Element interface

Number of interfaces	1
Connection method	Card edge connector
Transmission speed	See system in which you use the Smart Element.
Start time until ready to operate	< 500 ms

System properties

Module

ID code (hex)	none
---------------	------

Output data

Digital

Output name	Digital outputs
Connection method	Push-in connection
Connection technology	2-conductor
Number of outputs	4
Protective circuit	Short-circuit and overload protection; electronic
Output voltage	24 V DC
Maximum output current per channel	2 A

Digital module - AXL SE DO4/2 2A EF



1181790

<https://www.phoenixcontact.com/gb/products/1181790>

Maximum output current per module	max. 8 A (provide external fuse protection; observe the derating.)
Nominal output voltage	24 V DC
Output voltage when switched off	max. 1 V
Output current when switched off	max. 300 μ A
Nominal load, inductive	48 VA (1.2 H, 12 Ω , at nominal load)
Nominal load, lamp	24 W (at nominal voltage)
Nominal load, ohmic	48 W (12 Ω , at nominal voltage)
Switching frequency	max. 1200 per second (With resistive load, at least 50 mA load current)
	max. 1 per second (with inductive load)
	max. 4 per second (with nominal lamp load)
Behavior with overload	Shutdown with automatic restart
Behavior with inductive overload	Output can be destroyed

Product properties

Type	modular
Product type	I/O component
Mounting position	See the system in which the Smart Element is used.

Insulation characteristics

Overvoltage category	II (IEC 60664-1, EN 60664-1)
Pollution degree	2 (IEC 60664-1, EN 60664-1)

Electrical properties

Potentials: I/O supply (U_O)

Supply voltage	24 V DC
Supply voltage range	19.2 V DC ... 30 V DC (including all tolerances, including ripple)
Current draw	max. 8 A (provide external protection)
Power consumption	max. 240 W (of which 2 W constitute internal losses)
Protective circuit	Surge protection; electronic (35 V, 0.5 s)
	Reverse polarity protection; parallel diode

Potentials: Communications power supply of the Smart Elements (U_{SE})

Supply voltage	using card edge connectors
----------------	----------------------------

Connection data

Connection technology

Connection name	I/O
Note on the connection method	Please observe the information provided on conductor cross sections in the "Axioline Smart Elements" user manual.

Conductor connection

Connection method	Push-in connection
Conductor cross section solid	0.25 mm ² ... 1.5 mm ²
Conductor cross section flexible	0.25 mm ² ... 1.5 mm ²

Digital module - AXL SE DO4/2 2A EF



1181790

<https://www.phoenixcontact.com/gb/products/1181790>

Conductor cross section AWG	24 ... 16
Conductor cross section flexible, with ferrule without plastic sleeve	0.25 mm ² ... 1.5 mm ²
Conductor cross section, flexible, with ferrule, with plastic sleeve	0.25 mm ² ... 1.5 mm ²
Stripping length	8 mm

I/O

Connection method	Push-in connection
Note on the connection method	Please observe the information provided on conductor cross sections in the "AxioLine Smart Elements" user manual.
Conductor cross section, rigid	0.25 mm ² ... 1.5 mm ²
Conductor cross section flexible, with ferrule without plastic sleeve	0.25 mm ² ... 1.5 mm ²
Stripping length	8 mm

Ambient conditions

Ambient temperature (operation)	-25 °C ... 60 °C
Degree of protection	IP20
Air pressure (operation)	70 kPa ... 106 kPa (up to 3000 m above sea level)
Air pressure (storage/transport)	70 kPa ... 106 kPa (up to 3000 m above sea level)
Ambient temperature (storage/transport)	-40 °C ... 85 °C
Permissible humidity (operation)	5 % ... 95 % (non-condensing)
Permissible humidity (storage/transport)	5 % ... 95 % (non-condensing)

Standards and regulations

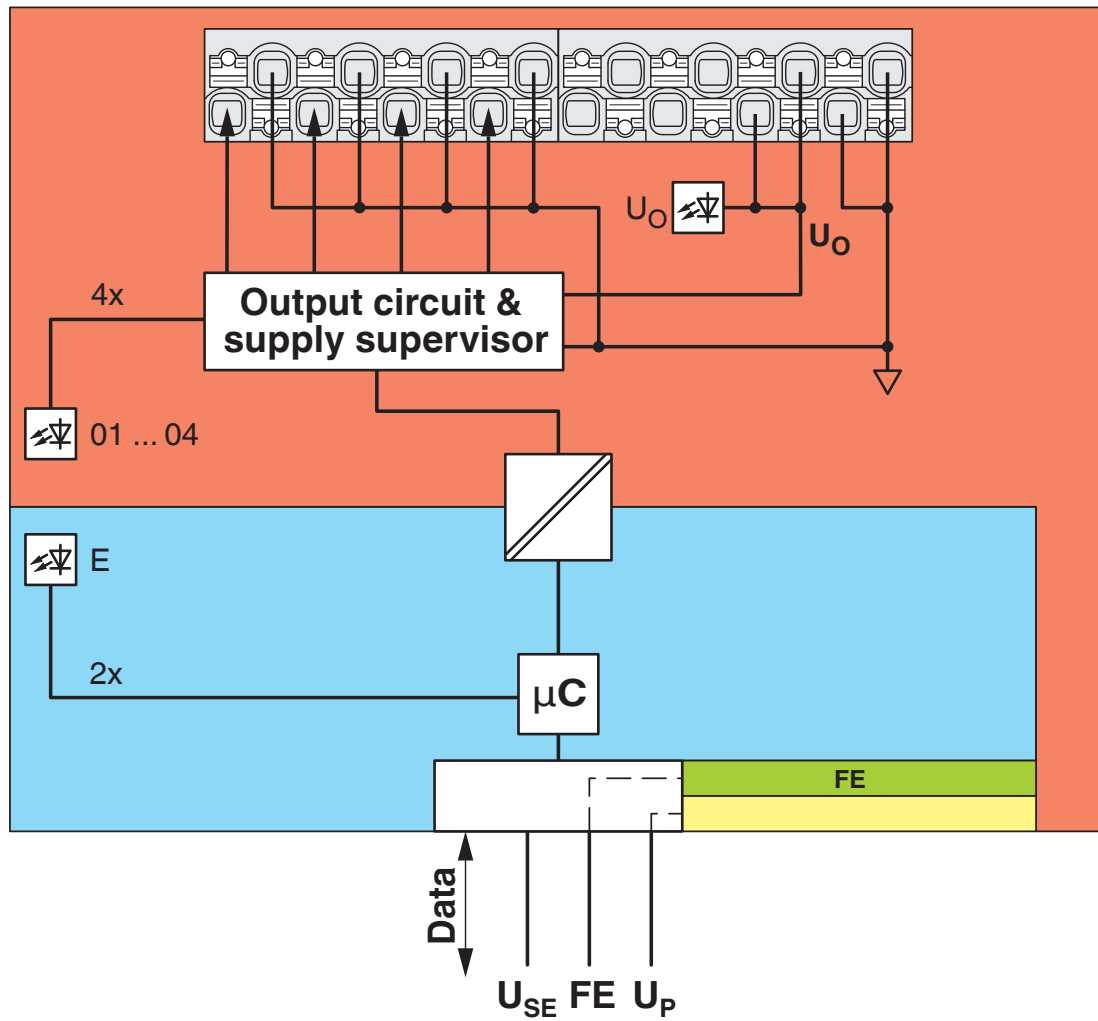
Protection class	III (IEC 61140, EN 61140, VDE 0140-1)
------------------	---------------------------------------

Mounting

Mounting type	Smart Element slot
Mounting position	See the system in which the Smart Element is used.

Drawings

Block diagram



Internal wiring of the terminal points

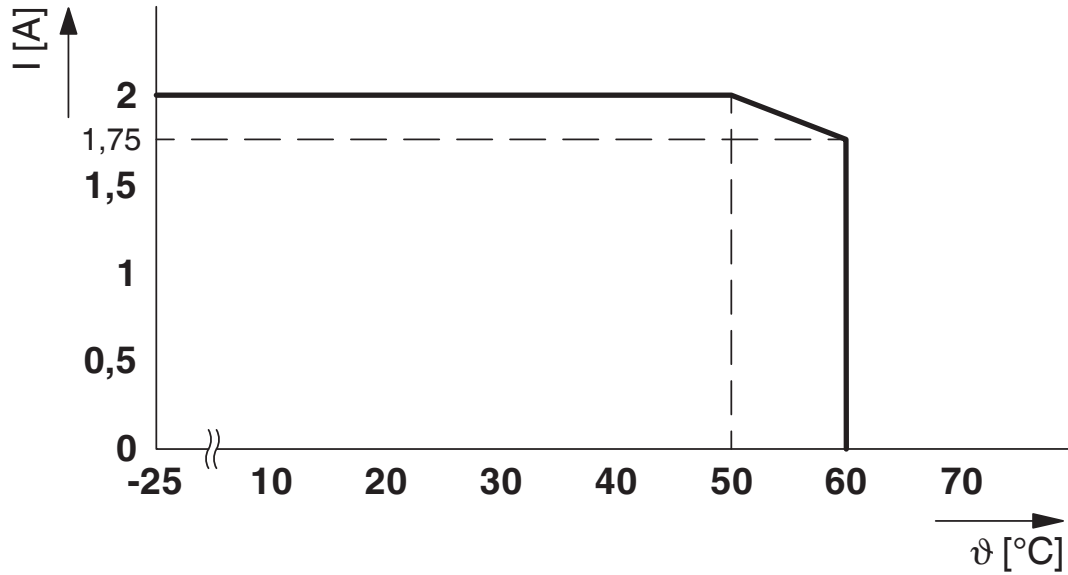
Digital module - AXL SE DO4/2 2A EF



1181790

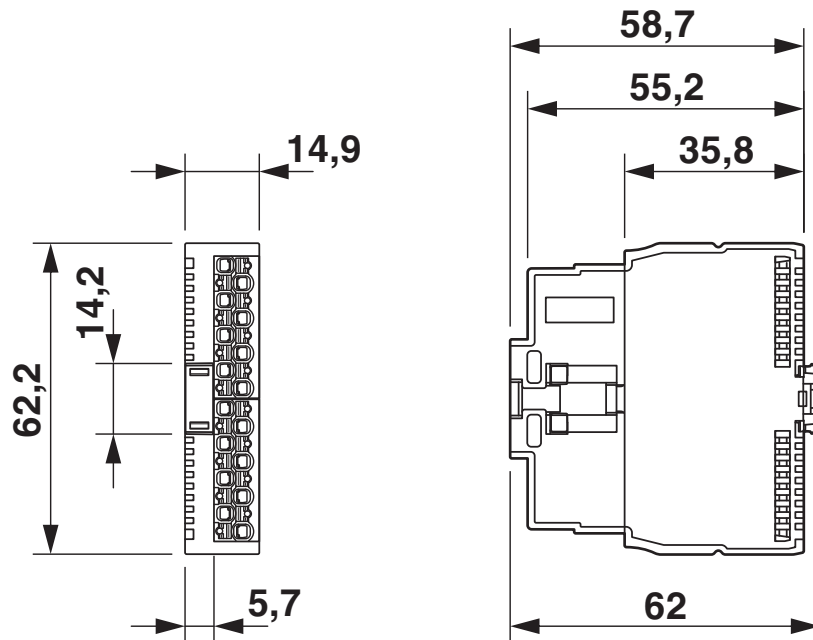
<https://www.phoenixcontact.com/gb/products/1181790>

Diagram



Derating at 100 % simultaneity

Dimensional drawing



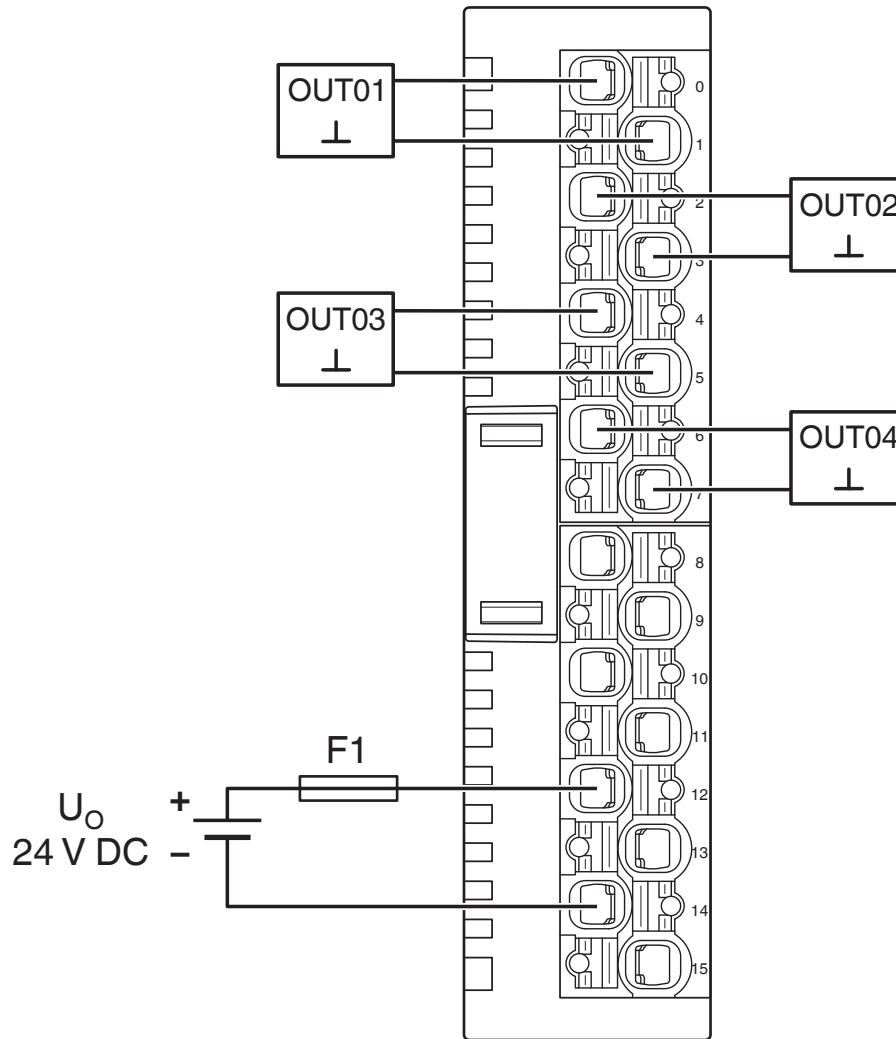
Dimensions (in mm)

Digital module - AXL SE DO4/2 2A EF

1181790

<https://www.phoenixcontact.com/gb/products/1181790>

Connection diagram



Connection in 2-conductor technology

1181790

<https://www.phoenixcontact.com/gb/products/1181790>

Classifications

ECLASS

ECLASS-9.0	27242604
ECLASS-10.0.1	27242604
ECLASS-11.0	27242604

ETIM

ETIM 8.0	EC001599
----------	----------

UNSPSC

UNSPSC 21.0	32151600
-------------	----------

Digital module - AXL SE DO4/2 2A EF



1181790

<https://www.phoenixcontact.com/gb/products/1181790>

Environmental Product Compliance

REACH SVHC	Lead 7439-92-1
China RoHS	Environmentally Friendly Use Period = 50 years
	For information on hazardous substances, refer to the manufacturer's declaration available under "Downloads"

Digital module - AXL SE DO4/2 2A EF



1181790

<https://www.phoenixcontact.com/gb/products/1181790>

Mandatory Accessories

Module carrier

Module carrier - AXL F BP SE4 - 1088135

<https://www.phoenixcontact.com/gb/products/1088135>

Axioline F, Backplane, 4 slots for Axioline Smart Elements, transmission speed in the local bus: 100 Mbps, degree of protection: IP20



Module carrier

Module carrier - AXL F BP SE6 - 1088136

<https://www.phoenixcontact.com/gb/products/1088136>

Axioline F, Backplane, 6 slots for Axioline Smart Elements, transmission speed in the local bus: 100 Mbps, degree of protection: IP20



Accessories

1181790

<https://www.phoenixcontact.com/gb/products/1181790>

Screwdriver

Screwdriver - SZS 0,4X2,5 VDE - 1205037

<https://www.phoenixcontact.com/gb/products/1205037>



Screwdriver, slot-headed, VDE insulated, size: 0.4 x 2.5 x 80 mm, 2-component grip, with non-slip grip

Crimping pliers

Crimping pliers - CRIMPFOX 6 - 1212034

<https://www.phoenixcontact.com/gb/products/1212034>



Crimping pliers, for ferrules without insulating collar according to DIN 46228 Part 1 and ferrules with insulating collar according to DIN 46228 Part 4, 0.25 mm² ... 6.0 mm², lateral entry, trapezoidal crimp

1181790

<https://www.phoenixcontact.com/gb/products/1181790>

Crimping pliers

Crimping pliers - CRIMPFOX DUO 10 - 1031721

<https://www.phoenixcontact.com/gb/products/1031721>



Crimping pliers, type of contact: Insulated and uninsulated ferrules, min. cross section: 0.14 mm^2 , max. cross section: 10 mm^2 , for TWIN ferrules up to $2 \times 4 \text{ mm}^2$, automatic cross section adjustment, rotating die, lateral and frontal insertion, compression: Trapezoidal crimp, black/green

Crimping pliers

Crimping pliers - CRIMPFOX 10T-F - 1134913

<https://www.phoenixcontact.com/gb/products/1134913>



Crimping pliers, type of contact: Insulated and uninsulated ferrules, standards/specifications: DIN 46228-1, DIN 46228-4, min. cross section: 0.14 mm^2 , max. cross section: 10 mm^2 , For TWIN ferrules up to $2 \times 4 \text{ mm}^2$, automatic cross section adjustment, frontal insertion, compression: Trapezoidal crimp, black

Digital module - AXL SE DO4/2 2A EF

1181790

<https://www.phoenixcontact.com/gb/products/1181790>

Label

Label - MM-TML (EX4,2)R C1 TR/BK - 0803979

<https://www.phoenixcontact.com/gb/products/0803979>



Label, Roll, transparent, unlabeled, can be labeled with: THERMOFOX, THERMOMARK GO, THERMOMARK GO.K, mounting type: adhesive, for terminal block width: 8000 mm, lettering field size: continuous x 3.2 mm

Marker strip

Marker strip - SK 5,0 WH:REEL - 0805221

<https://www.phoenixcontact.com/gb/products/0805221>



Marker strip, Roll, white, unlabeled, can be labeled with: THERMOMARK ROLL 2.0, THERMOMARK ROLL, THERMOMARK ROLL X1, THERMOMARK ROLLMASTER 300/600, THERMOMARK X1.2, mounting type: adhesive, for terminal block width: 5 mm, lettering field size: continuous x 5 mm, Number of individual labels: 90000

Digital module - AXL SE DO4/2 2A EF



1181790

<https://www.phoenixcontact.com/gb/products/1181790>

Marker for terminal blocks

Marker for terminal blocks - UM6M-TM (5X12) - 0830928

<https://www.phoenixcontact.com/gb/products/0830928>

Markers for marking terminal blocks from ABB/Entelec, 24-section, unmarked, can be marked with THERMOMARK CARD and BLUEMARK, color: white



Marker for terminal blocks from the SNK series from ABB

Marker for terminal blocks from the SNK series from ABB - UCT6M-TM 5 - 0830756

<https://www.phoenixcontact.com/gb/products/0830756>

Marker for terminal blocks from the SNK series from ABB, Sheet, white, unlabeled, can be labeled with: THERMOMARK CARD, THERMOMARK CARD 2.0, THERMOMARK PRIME, BLUEMARK ID, BLUEMARK ID COLOR, TOPMARK LASER, TOPMARK NEO, mounting type: snapped, for terminal block width: 5.2 mm, lettering field size: 4.17 x 11.3 mm



Phoenix Contact 2022 © - all rights reserved

<https://www.phoenixcontact.com>

PHOENIX CONTACT Ltd

Halesfield 13, Telford

Shropshire, TF7 4PG

01952 681700

info@phoenixcontact.co.uk