

MATERIALS AND FINISHES:

BODY, JAM NUT: BRASS
FINISH: SEE TABLE

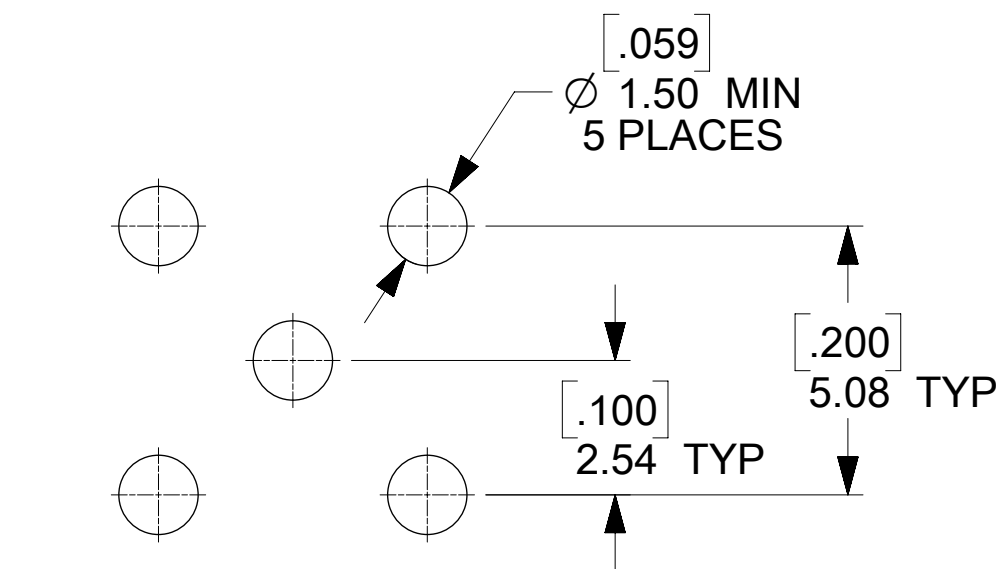
CENTER CONTACT: BERYLLIUM COPPER
PLATED GOLD

INSULATOR: TEFLON

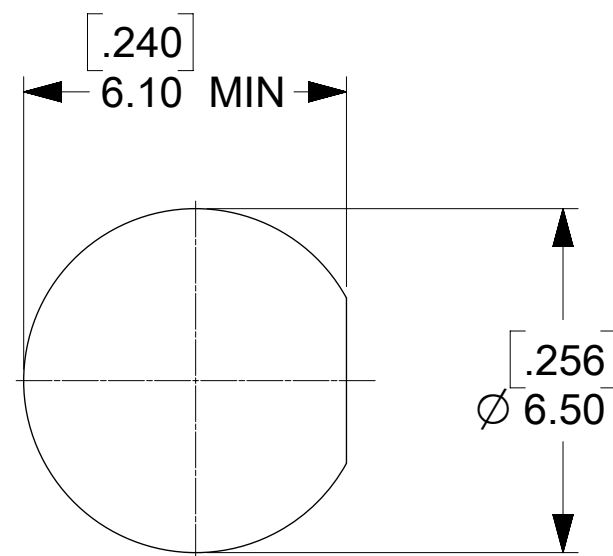
LOCKWASHER: PHOSPHOR BRONZE
FINISH: SEE TABLE

ELECTRICAL REQUIREMENTS:

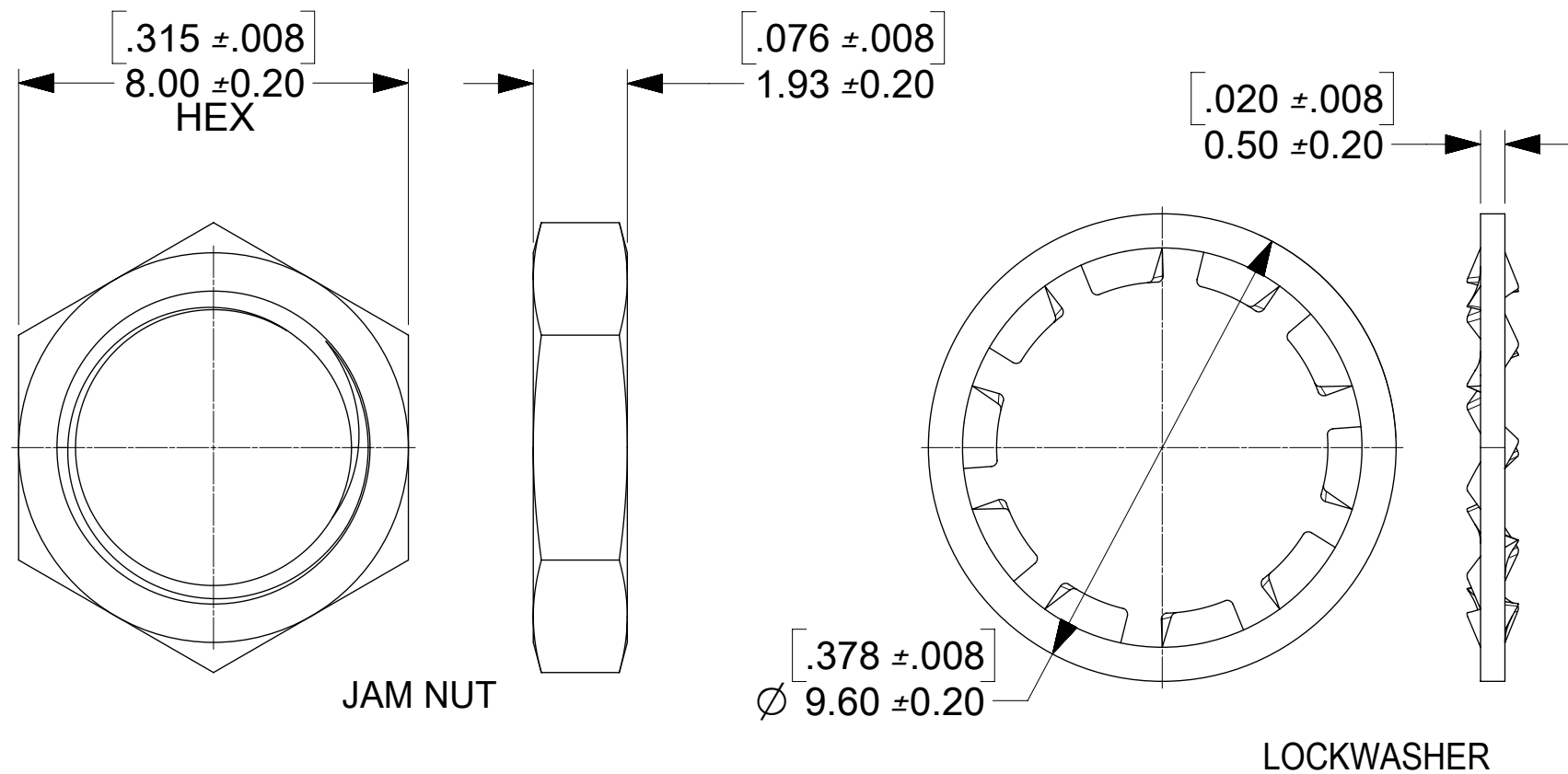
- VOLTAGE STANDING WAVE RATIO
 - 1.1(MAX) @0-6GHz.
 - 1.5(MAX) @6-12GHz.
 - 1.8(MAX) @12-18GHz.
- RF INSERTION LOSS:
 - 0.1(MAX) @0-6GHz.
 - 0.4(MAX) @6-12GHz.
 - 0.7(MAX) @12-18GHz.



RECOMMENDED PCB LAYOUT

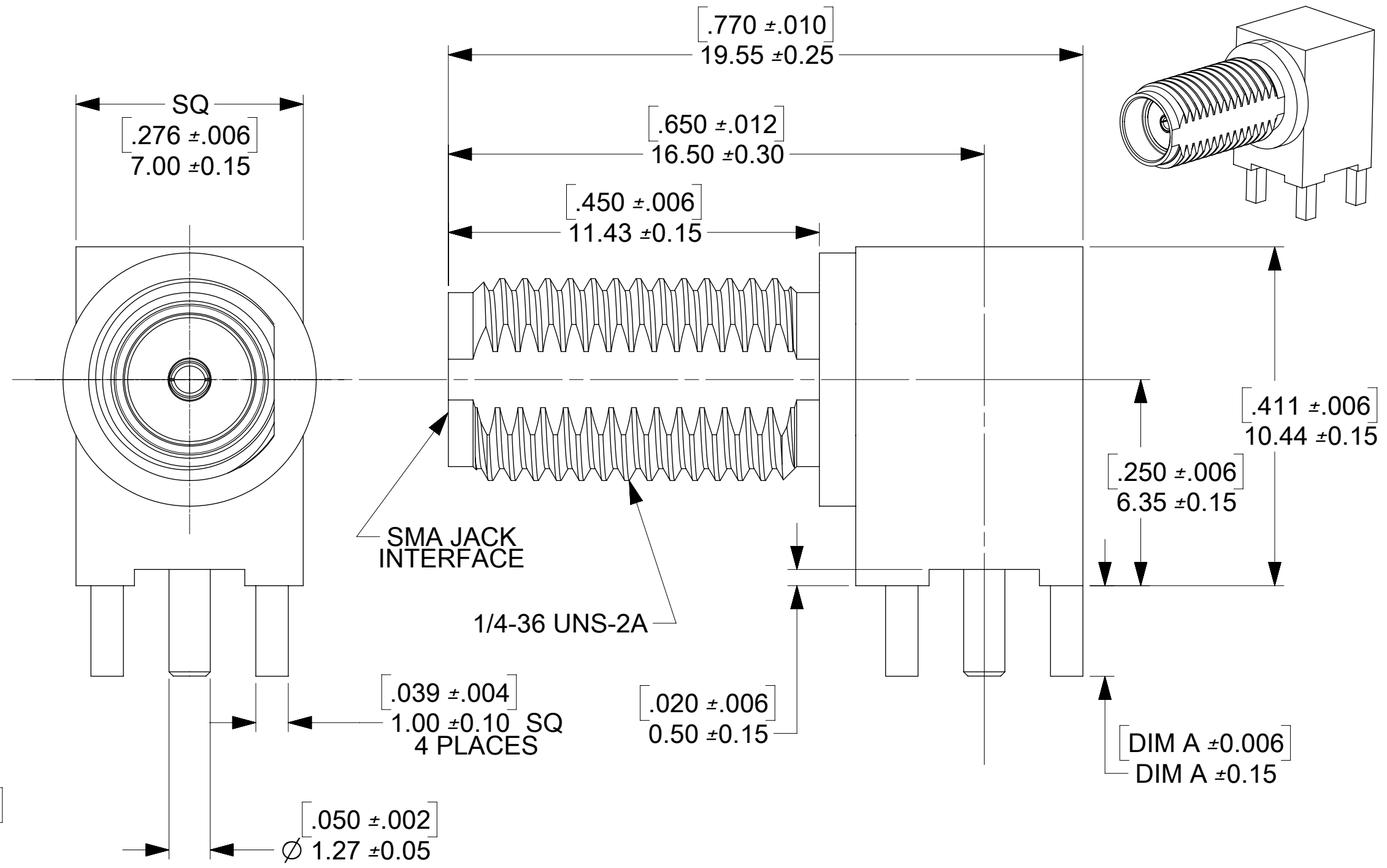


RECOMMENDED PANEL CUTOUT



JAM NUT

LOCKWASHER



SEE SD-73251-496 FOR PART NO. CONTINUATION

73251-2209	GOLD FLASH / STANDARD TRAY	3.94	.155
73251-2208	GOLD FLASH/STANDARD TRAY W/O WASHER AND NUT	3.94	.155
73251-2207	73251-2201 PACKAGED ONE PER BAG	2.79	.110
73251-2206	SAME AS 73251-2201 EXCEPT COMMERCIAL CONTACT	2.79	.110
73251-2205	SAME AS 73251-2200 EXCEPT COMMERCIAL CONTACT	2.79	.110
73251-2204	GOLD FLASH/STANDARD TRAY W/O WASHER AND NUT	2.79	.110
73251-2203	GOLD FLASH / STANDARD TRAY (54 CAVITY)	2.79	.110
73251-2202	73251-2201 PACKAGED IN SMALL TRAY (20 CAVITY)	2.79	.110
73251-2201	GOLD / STANDARD TRAY	2.79	.110
73251-2200	NICKEL / STANDARD TRAY	2.79	.110
PART NO.	PLATING (BODY, NUT, LOCKWASHER) AND PACKAGING	mm	IN
		DIM A	

PS-89675-3460	ELECTRO/MECH PERFORM.
SPECIFICATION	DESCRIPTION

D13	ADD TOLERANCE FOR DIMENSIONS PER EWR12457-A
D12	ADD TESTING ITEM OF PRODUCT SPEC ON DRAWING
REVISION	DESCRIPTION

SYMBOLS		THIS DRAWING CONTAINS INFORMATION THAT IS PROPRIETARY TO MOLEX ELECTRONIC TECHNOLOGIES, LLC AND SHOULD NOT BE USED WITHOUT WRITTEN PERMISSION	
DIMENSION UNITS	SCALE	CURRENT REV DESC:	
mm	NTS		
GENERAL TOLERANCES (UNLESS SPECIFIED)		EC NO: 604333	
ANGULAR TOL	± °	DRWN: CWEI02	2018/09/06
4 PLACES	±	CHK'D: YCHENG	2018/09/17
3 PLACES	±	APPR: YCHENG	2018/09/17
2 PLACES	±	INITIAL REVISION:	
1 PLACE	±	DRWN: AROBERTSON	2012/11/21
0 PLACES	±	APPR: JWIENER	2012/11/21
DRAFT WHERE APPLICABLE MUST REMAIN WITHIN DIMENSIONS		THIRD ANGLE PROJECTION	DRAWING
		C-SIZE	SERIES
		73251	
		MATERIAL NUMBER	CUSTOMER
		SEE TABLE	GENERAL MARKET
		SHEET NUMBER	
		1 OF 1	

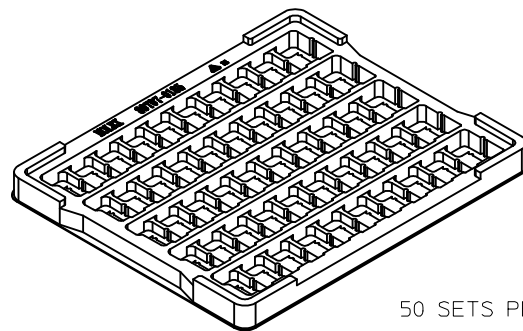
SMA JACK, R/A PCB 50 OHM
SMA-J/RA/PCB EWR-2144

PRODUCT CUSTOMER DRAWING

DOCUMENT NUMBER	DOC TYPE	DOC PART	REVISION
SD-73251-220	PSD	000	D13

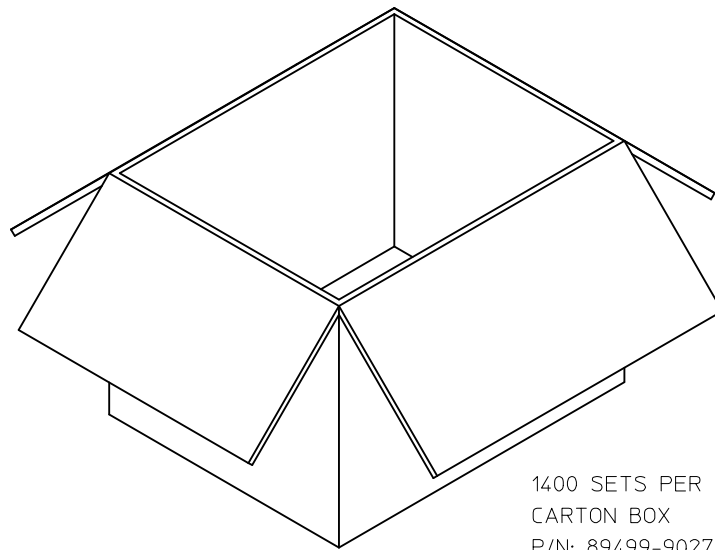


P/N: 73251-2200 / 73251-2201
73251-2205 / 73251-2206
73251-2208 / 73251-2209



50 SETS PER TRAY
TRAY P/N: 89707-0185

FOR 73251-2200, 73251-2201,
73251-2205, 73251-2206,
73251-2208, AND 73251-2209

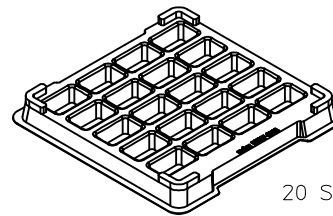


1400 SETS PER OUTER
CARTON BOX
P/N: 89499-9027

CHG NEW RELEASE PER RF13-E131 EC NO: URF2013-0734 DRAWN BY: RYEH 2013/06/28 CHKD: KERRIE APPR: MHUANG 2013/07/26	QUALITY SYMBOLS = 0 = 0 = 0	GENERAL TOLERANCES (UNLESS SPECIFIED) <table border="1"> <tr> <th></th> <th>mm</th> <th>INCH</th> </tr> <tr> <td>4 PLACES</td> <td>± .005</td> <td>± .0002</td> </tr> <tr> <td>3 PLACES</td> <td>± .005</td> <td>± .0002</td> </tr> <tr> <td>2 PLACES</td> <td>± .005</td> <td>± .0002</td> </tr> <tr> <td>1 PLACE</td> <td>± .005</td> <td>± .0002</td> </tr> <tr> <td>0 PLACE</td> <td>± .005</td> <td>± .0002</td> </tr> </table>		mm	INCH	4 PLACES	± .005	± .0002	3 PLACES	± .005	± .0002	2 PLACES	± .005	± .0002	1 PLACE	± .005	± .0002	0 PLACE	± .005	± .0002	DIMENSION STYLE MM/IN DRAWN BY: RYEH DATE: 2013/06/28 CHECKED BY: KERRIE DATE: 2013/06/28 APPROVED BY: MHUANG DATE: 2013/07/26	SCALE: 2.5:1 DESIGN UNITS: METRIC THIRD ANGLE PROJECTION	SMA JACK R/A PCB TH 50 OHMS SMA-J/PCB 	MATERIAL NO. SEE TABLE	DOCUMENT NO. SD-73251-220-PKG	SHEET NO. 1 OF 4
		mm	INCH																							
	4 PLACES	± .005	± .0002																							
	3 PLACES	± .005	± .0002																							
2 PLACES	± .005	± .0002																								
1 PLACE	± .005	± .0002																								
0 PLACE	± .005	± .0002																								
ANGULAR ± 2° DRAFT WHERE APPLICABLE MUST REMAIN WITHIN DIMENSIONS	SIZE	THIS DRAWING CONTAINS INFORMATION THAT IS PROPRIETARY TO MOLEX INCORPORATED AND SHOULD NOT BE USED WITHOUT WRITTEN PERMISSION																								
A	REV	DESCRIPTION	DATE	BY	APPROVED BY	DATE	BY	DATE																		
A	REV	DESCRIPTION	DATE	BY	APPROVED BY	DATE	BY	DATE																		

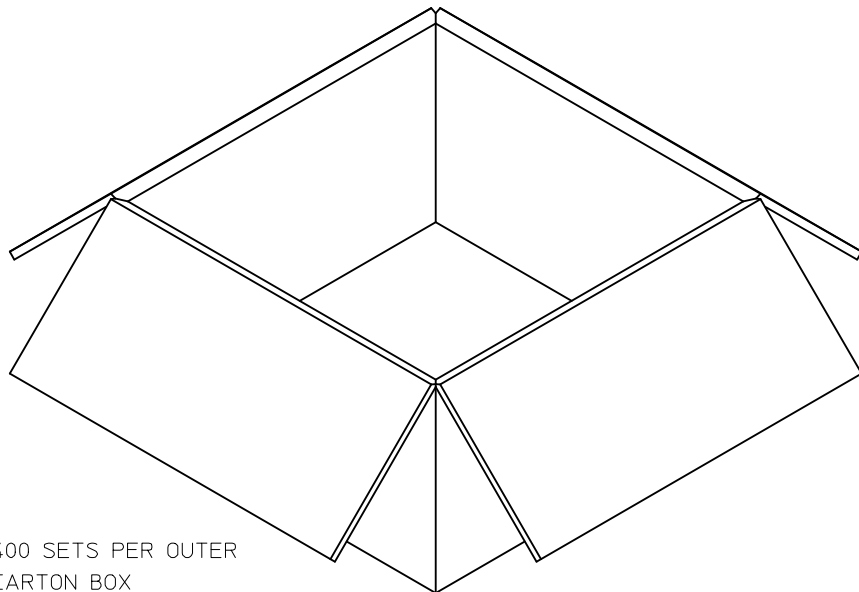


P/N: 73251-2202

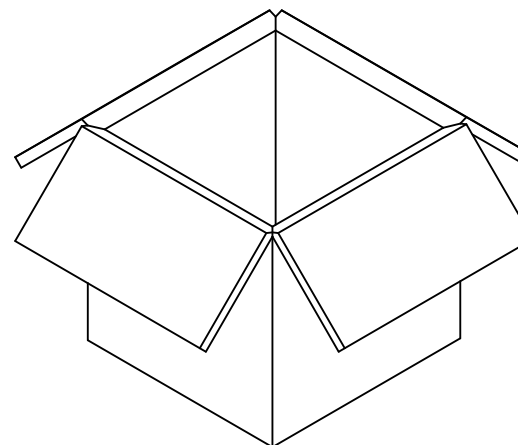


20 SETS PER TRAY
TRAY P/N: 89707-0308

FOR 73251-2202 ONLY



400 SETS PER OUTER
CARTON BOX
P/N: 96707-0002



200 SETS PER INNER
CARTON BOX
P/N: 96707-0005

CHG:SEE SHEET 1
EC NO: URF2013-0734
DRAWN:RYEH 2013/06/28
CHKD:
APPR:MHUANG 2013/07/26

REV	DESCRIPTION	QUALITY SYMBOLS
A		▽=0
		▽=0
		▽=0

GENERAL TOLERANCES (UNLESS SPECIFIED)

	mm	INCH
4 PLACES	± .005	± .0004
3 PLACES	± .005	± .0004
2 PLACES	± .005	± .0004
1 PLACE	± .005	± .0004
0 PLACE	± .005	± .0004

ANGULAR ± 2 °

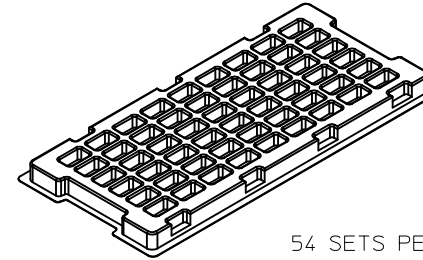
DRAFT WHERE APPLICABLE MUST REMAIN WITHIN DIMENSIONS

DIMENSION STYLE		SCALE	DESIGN UNITS	THIRD ANGLE PROJECTION
MM/IN		2:1	METRIC	
DRAWN BY	DATE	TITLE		
RYEH	2013/06/28	SMA JACK R/A PCB TH		
CHECKED BY	DATE	50 OHMS		
KERRIE	2013/06/28	SMA-J/PCB		
APPROVED BY	DATE	molex		
MHUANG	2013/07/26	DOCUMENT NO. SD-73251-220-PKG		
MATERIAL NO.	SEE TABLE	SHEET NO. 2 OF 4		

THIS DRAWING CONTAINS INFORMATION THAT IS PROPRIETARY TO MOLEX INCORPORATED AND SHOULD NOT BE USED WITHOUT WRITTEN PERMISSION

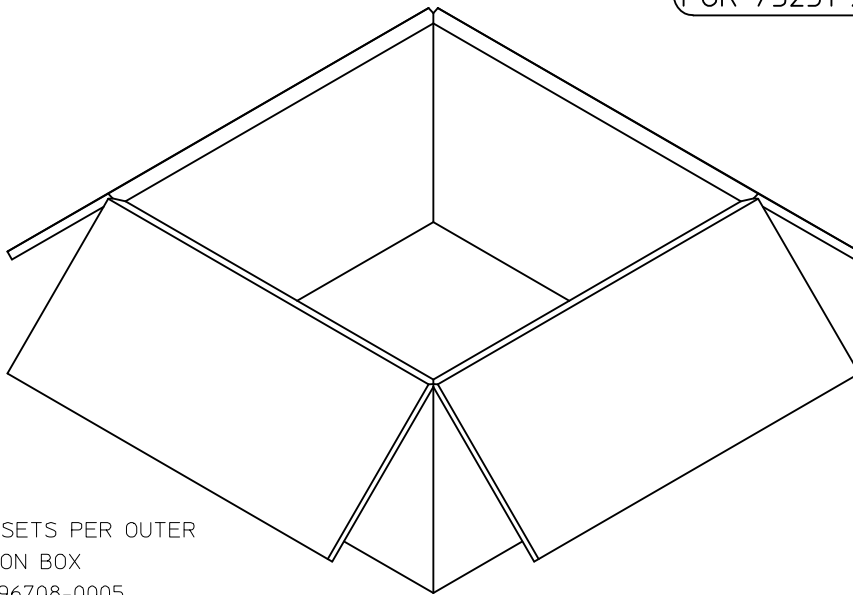


P/N: 73251-2203 / 73251-2204

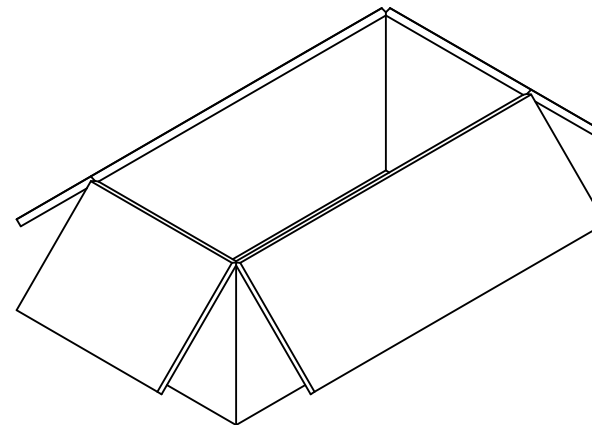


54 SETS PER TRAY
TRAY P/N: 89707-0220

FOR 73251-2203 AND 73251-2204



1080 SETS PER OUTER
CARTON BOX
P/N: 96708-0005

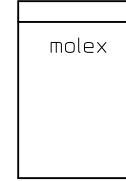


540 SETS PER INNER
CARTON BOX
P/N: 96707-0001

CHG:SEE SHEET 1 EC NO: URF2013-0734 DRAWN: RYEH 2013/06/28 CHKD: MUYEH APPR: MHUANG 2013/07/26	QUALITY SYMBOLS	GENERAL TOLERANCES (UNLESS SPECIFIED)		DIMENSION STYLE	SCALE	DESIGN UNITS	THIRD ANGLE PROJECTION
	▽=0	mm	INCH	MM/IN	2:1	METRIC	
	▽=0	4 PLACES ± --- ± ---		DRAWN BY	DATE	TITLE	
	▽=0	3 PLACES ± --- ± ---		RYEH	2013/06/28	SMA JACK R/A PCB TH	
	2 PLACES ± --- ± ---		3 PLACES ± --- ± ---	CHECKED BY	DATE	50 OHMS	
	1 PLACE ± --- ± ---		2 PLACES ± --- ± ---	KERRIE	2013/06/28	SMA-J/PCB	
	0 PLACE ± --- ± ---		1 PLACE ± --- ± ---	APPROVED BY	DATE	molex	
	ANGULAR ± 2 °		0 PLACE ± --- ± ---	MHUANG	2013/07/26	DOCUMENT NO.	
	DRAFT WHERE APPLICABLE MUST REMAIN WITHIN DIMENSIONS			SEE TABLE		SD-73251-220-PKG	
				SIZE	THIS DRAWING CONTAINS INFORMATION THAT IS PROPRIETARY TO MOLEX INCORPORATED AND SHOULD NOT BE USED WITHOUT WRITTEN PERMISSION		SHEET NO.
							3 OF 4

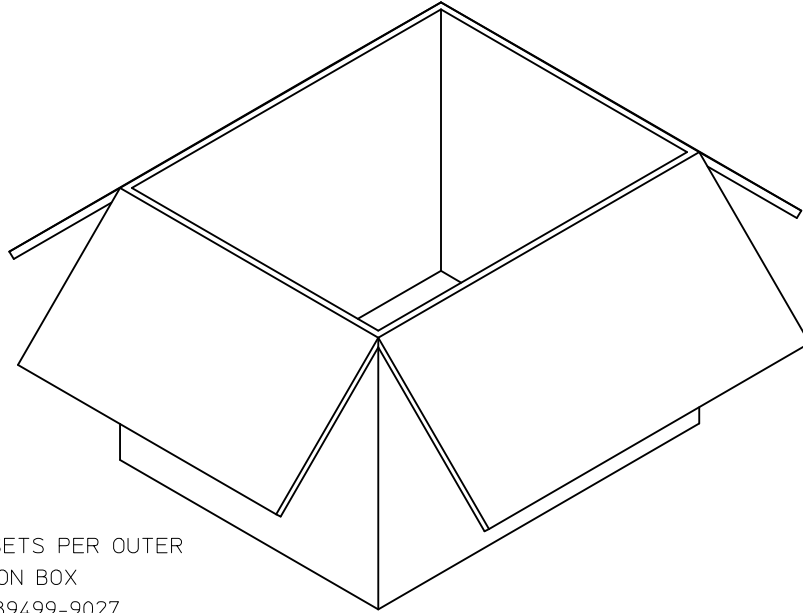


P/N: 73251-2207

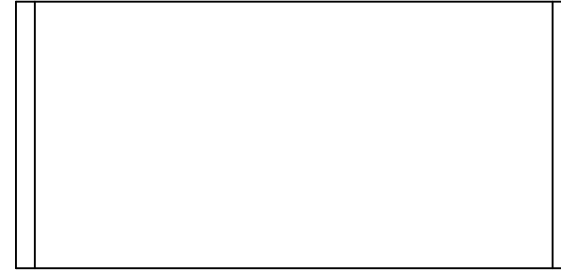


1 SET PER POLYBAG
P/N: 89707-0317

FOR 73251-2207 ONLY



500 SETS PER OUTER
CARTON BOX
P/N: 89499-9027



50 SETS PER POLYBAG
P/N: 89707-0174

CHG:SEE SHEET 1
EC NO: URF2013-0734
DRAWN:RYEH 2013/06/28
CHKD:
APPR:MHUANG 2013/07/26

REV	DESCRIPTION	QUALITY SYMBOLS
A		

GENERAL TOLERANCES (UNLESS SPECIFIED)

	mm	INCH
4 PLACES	± .005	± .0002
3 PLACES	± .005	± .0002
2 PLACES	± .005	± .0002
1 PLACE	± .005	± .0002
0 PLACE	± .005	± .0002

ANGULAR ± 2 °

DRAFT WHERE APPLICABLE MUST REMAIN WITHIN DIMENSIONS

DIMENSION STYLE		SCALE	DESIGN UNITS	THIRD ANGLE PROJECTION
MM/IN		1:1	METRIC	
DRAWN BY	DATE	TITLE		
RYEH	2013/06/28	SMA JACK R/A PCB TH		
CHECKED BY	DATE	50 OHMS		
KERRIE	2013/06/28	SMA-J/PCB		
APPROVED BY	DATE	molex		
MHUANG	2013/07/26	DOCUMENT NO. SD-73251-220-PKG		
MATERIAL NO.	SEE TABLE	SHEET NO. 4 OF 4		

THIS DRAWING CONTAINS INFORMATION THAT IS PROPRIETARY TO MOLEX INCORPORATED AND SHOULD NOT BE USED WITHOUT WRITTEN PERMISSION

MATERIALS AND FINISHES:

BODY, JAM NUT: BRASS
FINISH: SEE TABLE

CENTER CONTACT: BERYLLIUM COPPER
PLATED GOLD

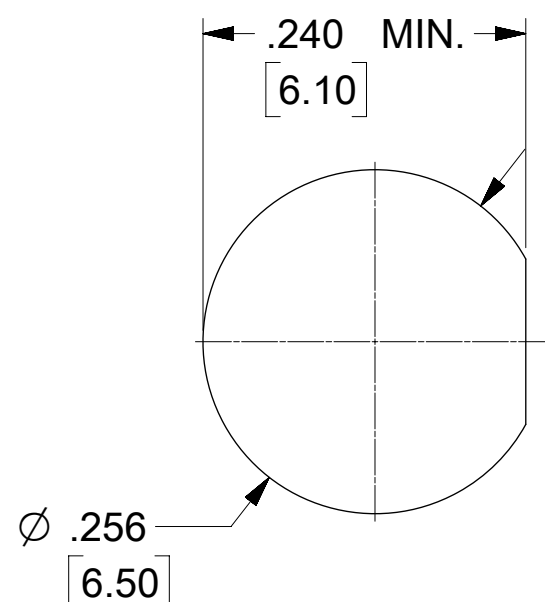
INSULATOR: TEFLON

LOCK WASHER: PHOSPHOR BRONZE
FINISH: SEE TABLE

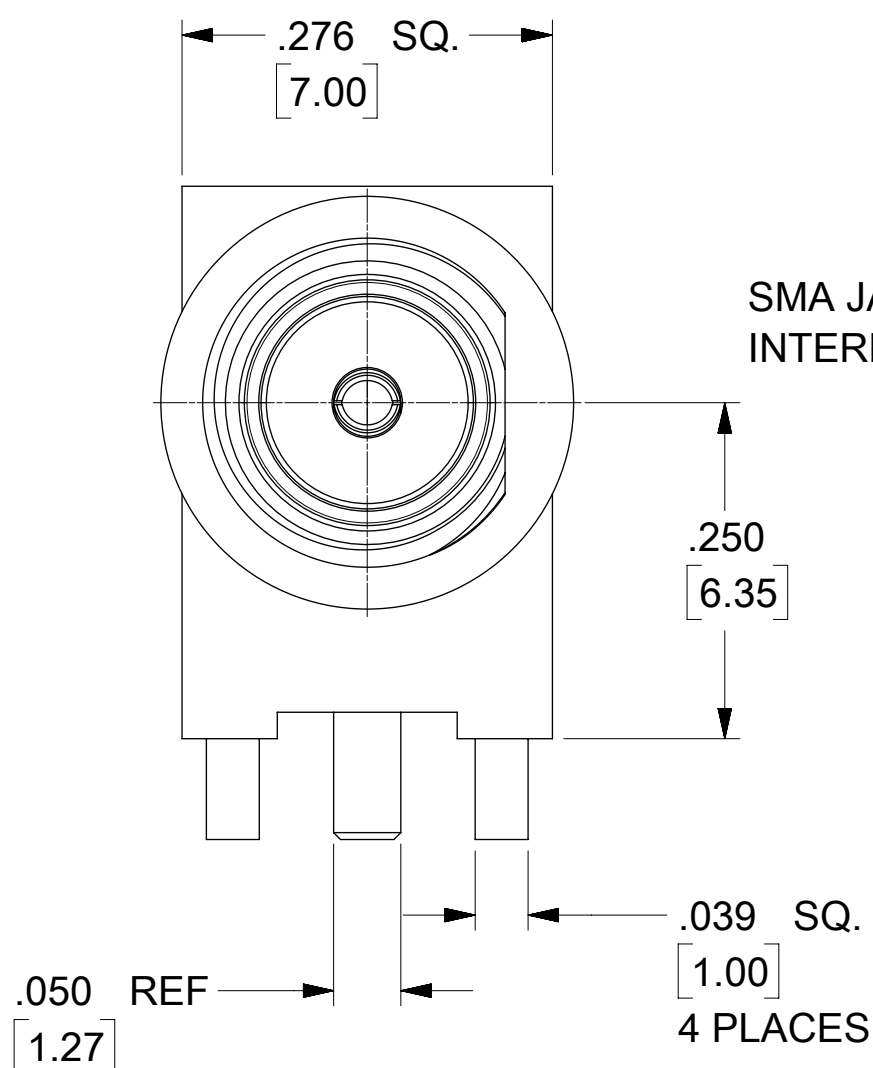
PACKAGING: BY STANDARD TRAY

ELECTRICAL REQUIREMENTS:

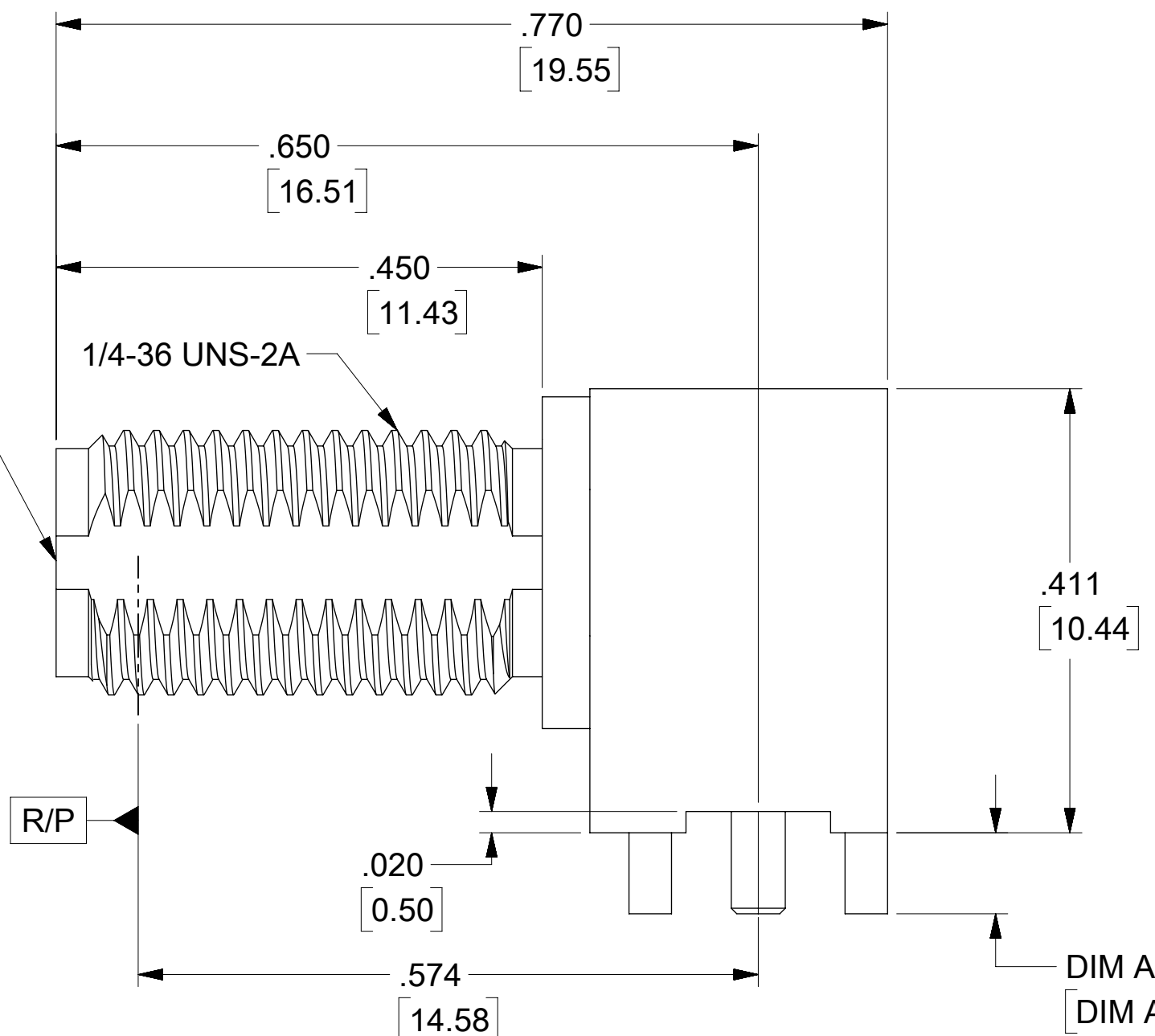
- VOLTAGE STANDING WAVE RATIO
 - 1.1(MAX) @0-6GHz.
 - 1.5(MAX) @6-12GHz.
 - 1.8(MAX) @12-18GHz.
- RF INSERTION LOSS:
 - 0.1(MAX) @0-6GHz.
 - 0.4(MAX) @6-12GHz.
 - 0.7(MAX) @12-18GHz.



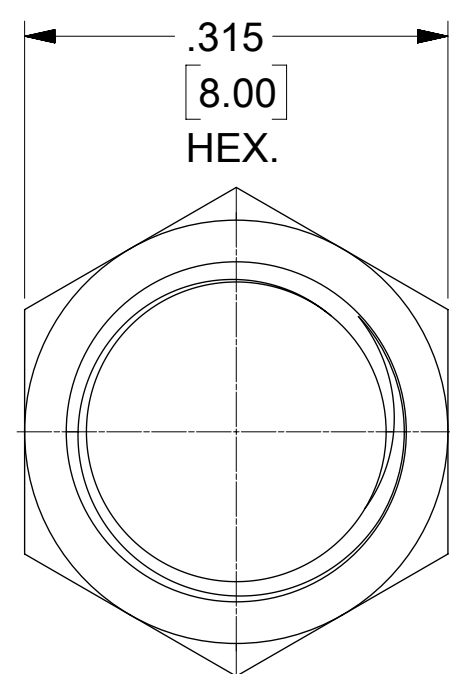
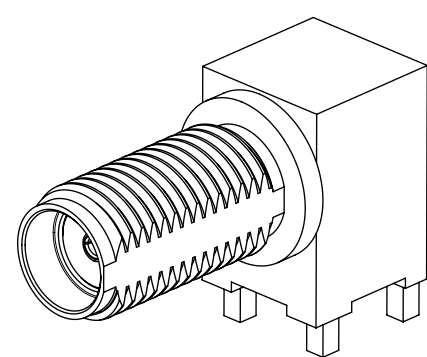
PANEL CUTOUT
.135 / 3.42 MAX THICKNESS



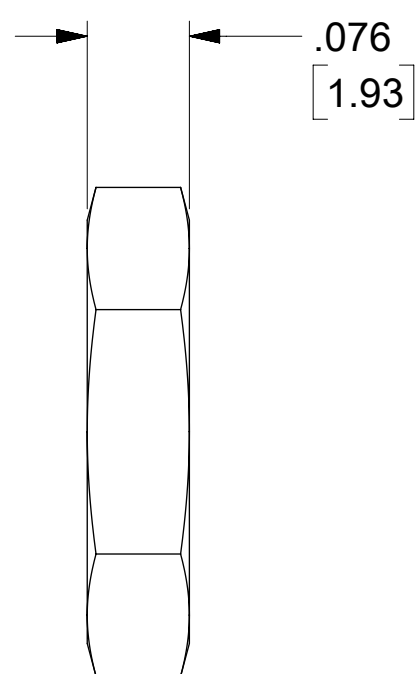
SMA JACK INTERFACE



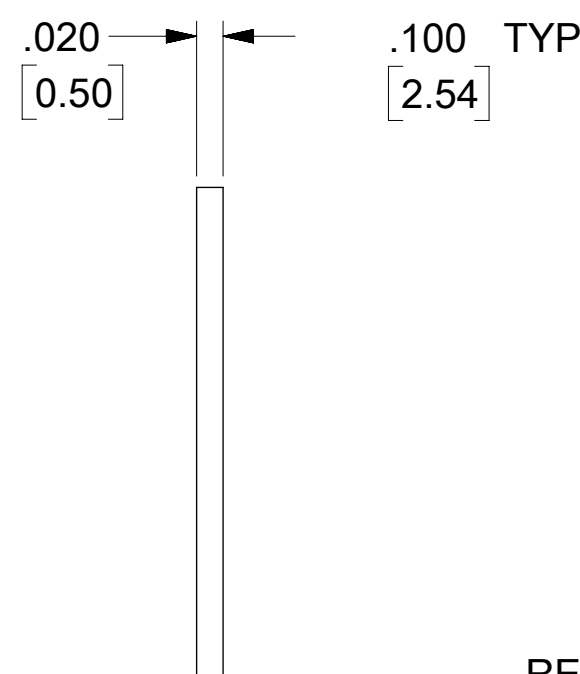
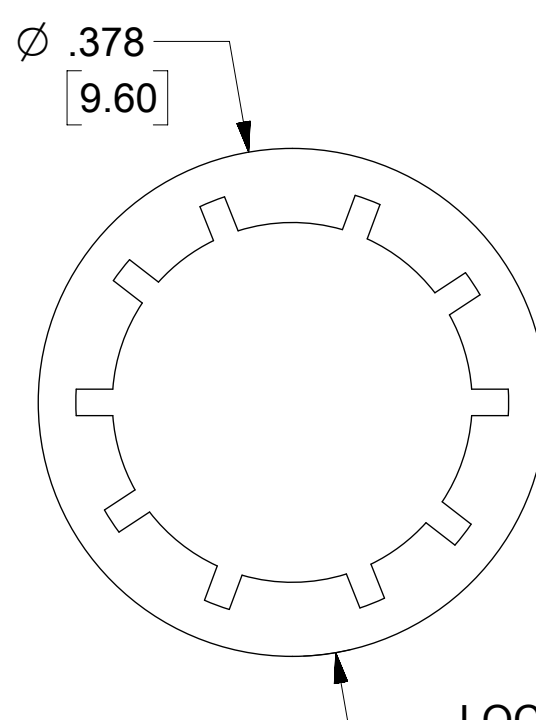
DIM A
DIM A



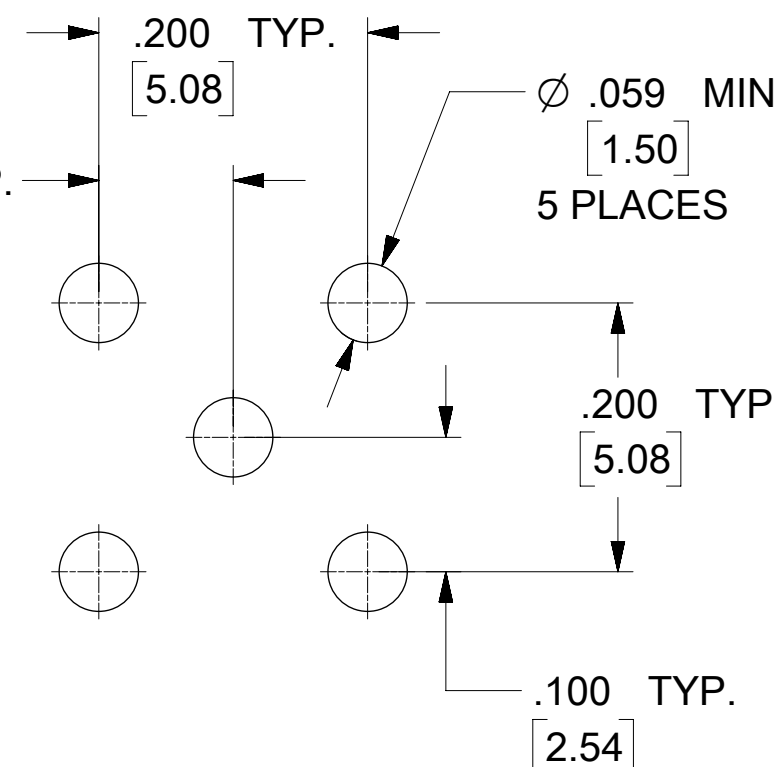
JAM NUT



LOCK WASHER



RECOMMENDED PCB LAYOUT



SD-73251-496 IS CONTINUATION FOR SD-73251-220

PART NO.	JAM NUT QTY	WASHER QTY	IN / MM	BODY PLATING	CONTACT PLATING	JAM NUT & LOCK WASHER PLATING
73251-4964	1	1	.075 / 1.91	GOLD (5μ-in MIN) OVER NICKEL (50μ-in MIN)	GOLD (30μ-in MIN) OVER NICKEL(100μ-in MIN)	GOLD (1μ-in MIN) OVER NICKEL (50μ-in MIN)
73251-4963	NOT INCLUDED	NOT INCLUDED	.110 / 2.79	GOLD (5μ-in MIN) OVER NICKEL (50μ-in MIN)	GOLD (30μ-in MIN) OVER NICKEL(100μ-in MIN)	-----
73251-4962	1	NOT INCLUDED	.110 / 2.79	NICKEL (100μ-in MIN)	GOLD (30μ-in MIN) OVER NICKEL(100μ-in MIN)	NICKEL (100μ-in MIN)
73251-4961	2	1	.155 / 3.94	GOLD (1μ-in MIN) OVER NICKEL (50μ-in MIN)	GOLD (1μ-in MIN) OVER NICKEL (50μ-in MIN)	GOLD (1μ-in MIN) OVER NICKEL (50μ-in MIN)
73251-4960	1	1	.075 / 1.91	GOLD (1μ-in MIN) OVER NICKEL (50μ-in MIN)	GOLD (1μ-in MIN) OVER NICKEL (50μ-in MIN)	GOLD (1μ-in MIN) OVER NICKEL (50μ-in MIN)

PS-89675-3460	PRODUCT SPECIFICATION
MIL-STD-348A, FIG. 310.2	INTERFACE
SPECIFICATION	DESCRIPTION

SYMBOLS		THIS DRAWING CONTAINS INFORMATION THAT IS PROPRIETARY TO MOLEX ELECTRONIC TECHNOLOGIES, LLC AND SHOULD NOT BE USED WITHOUT WRITTEN PERMISSION	
▽ = 0	IN/MM	SCALE	CURRENT REV DESC:
▽ = 0	NTS		
▽ = 0	GENERAL TOLERANCES (UNLESS SPECIFIED)		
▽ = 0	ANGULAR TOL ± °		
▽ = 0	4 PLACES ±	EC NO: 622231	
▽ = 0	3 PLACES ±	DRWN: CWEI02	2019/07/22
▽ = 0	2 PLACES ±	CHK'D: YCHENG	2019/08/13
▽ = 0	1 PLACE ±	APPR: YCHENG	2019/08/13
▽ = 0	0 PLACES ±	INITIAL REVISION:	
▽ = 0		DRWN: JLEE02	2014/03/28
▽ = 0		APPR: WSPINK	2014/03/28
▽ = 0	DRAFT WHERE APPLICABLE MUST REMAIN WITHIN DIMENSIONS	THIRD ANGLE PROJECTION	DRAWING SERIES
▽ = 0		C-SIZE	73251



SMA JACK RA
BLKHD RM PCB TH SMA-J/RA/PCB, EWR-2144

PRODUCT CUSTOMER DRAWING

DOCUMENT NUMBER: SD-73251-496
DOC TYPE: PSD
DOC PART: 000
REVISION: B5

MATERIAL NUMBER: SEE TABLE
CUSTOMER: GENERAL MARKET
SHEET NUMBER: 1 OF 1