



Key-operated button, 3 positions

Part no. M22-WRS3
Article no. 216900




Powering Business Worldwide™

Individual lock mechanisms, not suitable for master key systems, with one key

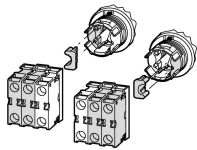
Stay-put/spring-return function and key withdrawability

can be changed using M22-XC-... coding adapters

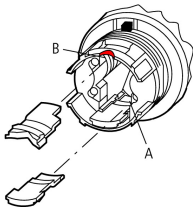
Program

Range			RMQ-Titan (drilling dimensions 22.5 mm)
Basic function			Key-operated buttons
Description			3 positions (with plunger bridge engineering) Lock mechanism MS1 Not suitable for master key systems With 1 key Stay-put/spring-return function, can be changed with coding parts M22-XC-Y Key withdraw convertible with coding adapters M22-XC-...
Front ring			Front ring: titanium
Function			maintained  left: 60° right: 60°
Key withdrawable in position			0
			II

Note concerning the product **Plunger bridge for the middle contact on 3-position selector switches**



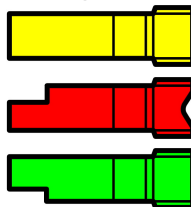
Notes **For conversion between stay-put and spring-return functions and for changing the key withdrawability for selector switch actuators with 3 positions**



	I	O	II
	A		B
60° ↓ 60°	-	✓	✓
50° ↓ 50°	✓	✓	✗
60° ↓ 50°	-	✓	✗
50° ↓ 60°	✓	✓	-
40° ⇄ 40°	✓	✓	✗
60° ⇄ 40°	-	✓	✗
50° ⇄ 40°	✓	✓	✗
40° ⇄ 60°	✓	✓	-
40° ⇄ 50°	✓	✓	✗

✓ = Key withdrawable
 ✗ = Key not withdrawable

Coding adapters



M22-XC-Y, a#216407

M22-XC-R, a#216406

Approbationen

UL approval
 CSA approval
 Product Standards
 UL File No.
 UL CCN
 CSA File No.
 CSA Class No.
 NA Certification
 Degree of Protection

Yes
 Yes
 IEC/EN 60947-5; UL 508; CSA-C22.2 No. 14-05; CSA-C22.2 No. 94-91; CE marking
 E29184
 NKCR
 012528
 3211-03
 UL listed, CSA certified
 UL/CSA Type 3R, 4X, 12, 13

General

Standards			IEC/EN 60947 VDE 0660
-----------	--	--	--------------------------

Lifespan, mechanical	Operations	x 10 ⁶	> 0.1
Operating frequency	Operations/h		≅ 100
Operating torque		Nm	≅ 0.5
Protection type			IP66
Climatic proofing			Damp heat, constant to IEC 60068-2-78 Damp heat, cyclic to IEC 60068-2-30
Ambient temperature		°C	
Open		°C	- 25 - + 70
Mounting position			As required
Mechanical shock resistance		g	30 Shock duration 11 ms Sinusoidal according to IEC 60068-2-27

Technical data according to ETIM 4.0

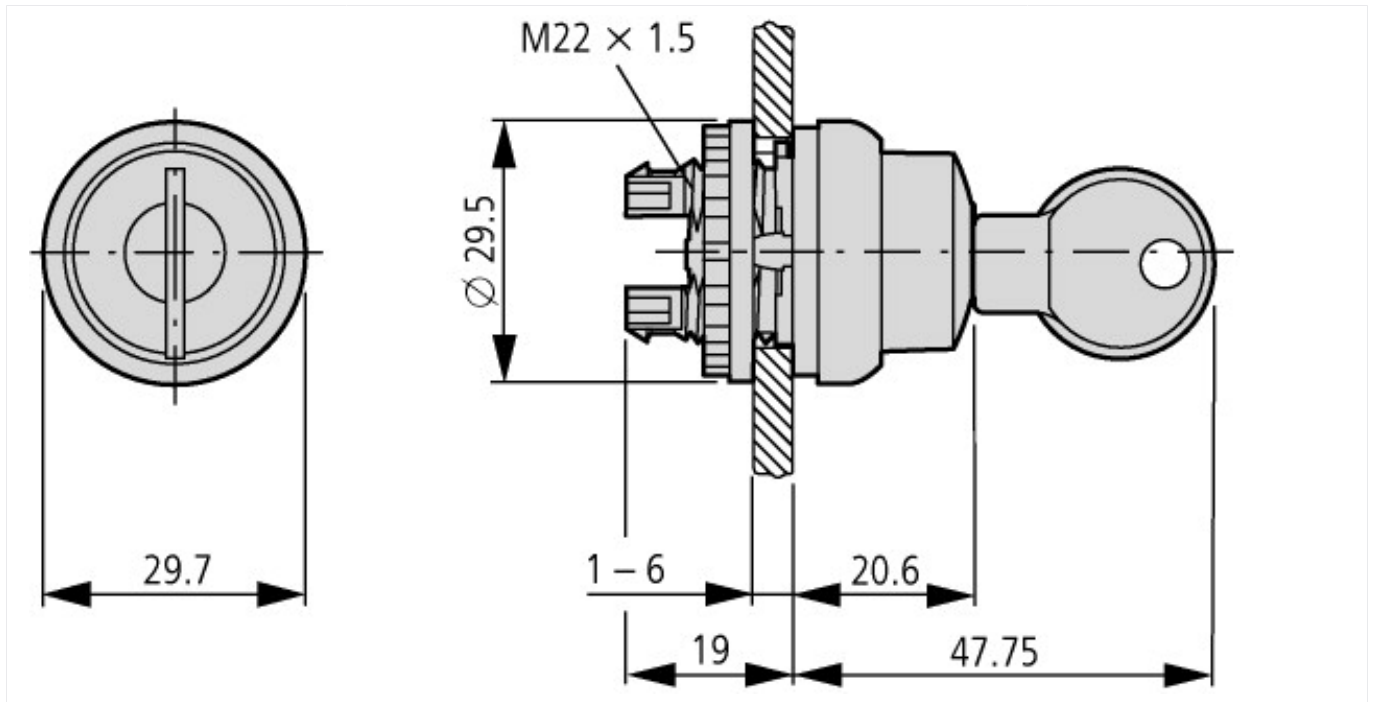
Color bezel			Chrome
Suitable for illumination			No
Lens design			Round
Protection type (IP), at front			IP66
Material front ring			Insulated material
Momentary			No
Number of switch positions			3
Color actuator			black
Hole diameter		mm	22
With bezel			YES
Width of opening		mm	22
Height meter opening		mm	6

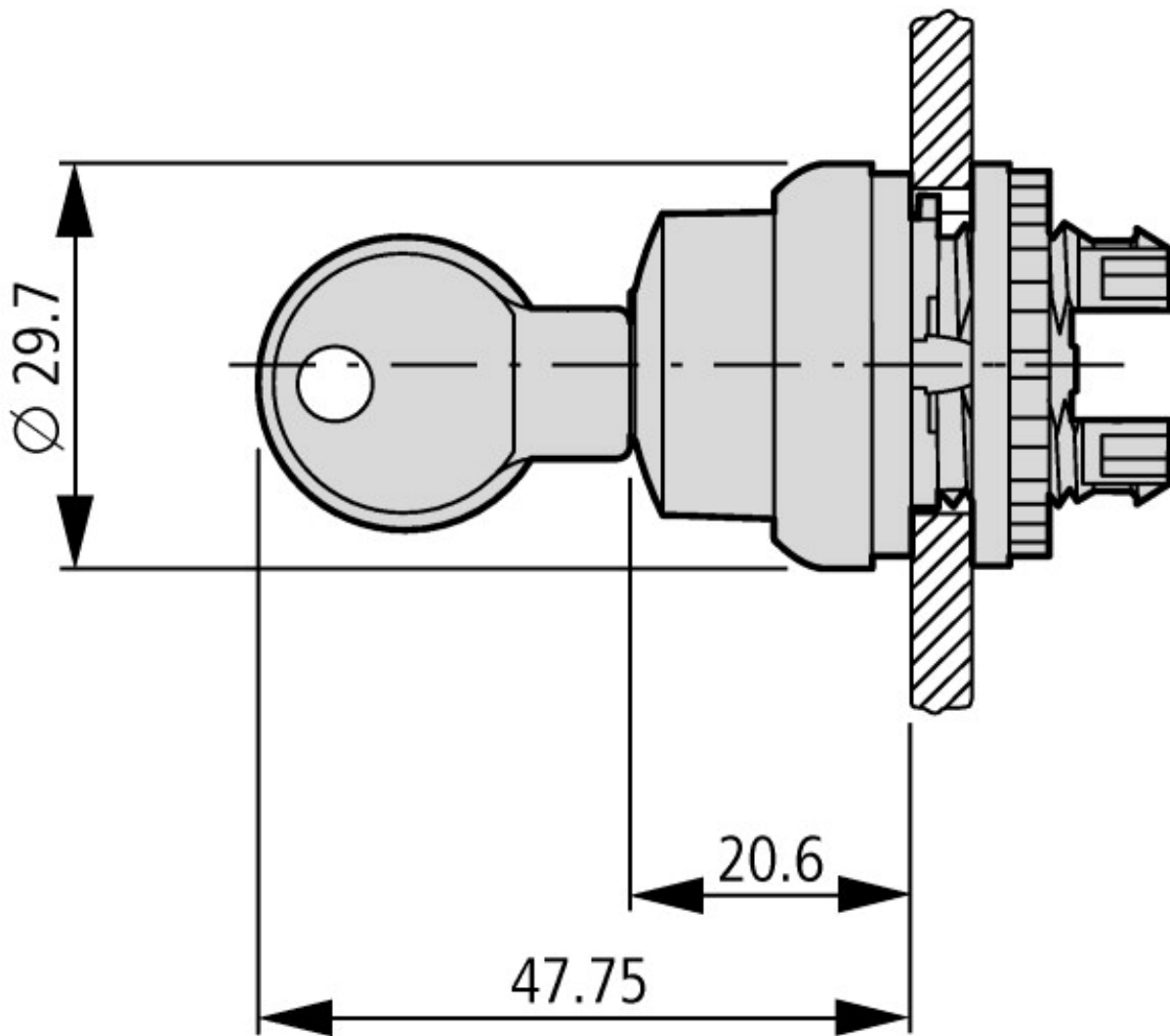
CAD-Data

Product standards CAD data:

<http://eaton-moeller.partcommunity.com>

Dimensions





Individual lock mechanism

Individual lock mechanism

Additional product information (links)

IL04716002Z (AWA1160-1745) RMQ-Titan System

ftp://ftp.moeller.net/DOCUMENTATION/AWA_INSTRUCTIONS/IL04716002Z2011_03.pdf

Engineering

Conversion stay-put/spring-return, key withdrawability

ftp://ftp.moeller.net/DOCUMENTATION/PDF/GB/RMQ_TITAN_SCHLUESSEL_KODIEREN_de.pdf

Labeleditor

ftp://ftp.moeller.net/MFD/EASY-SOFT-PRO/labeleditor_206.exe