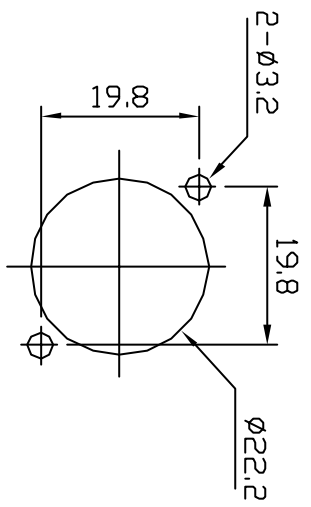
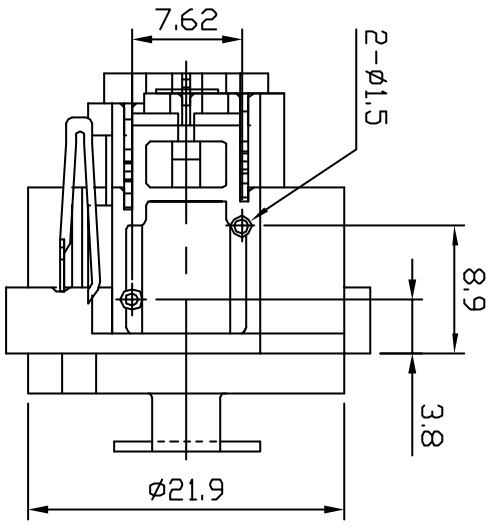
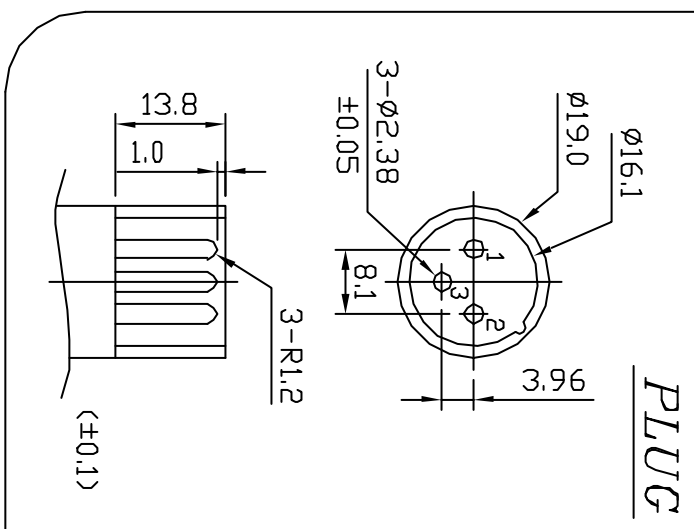
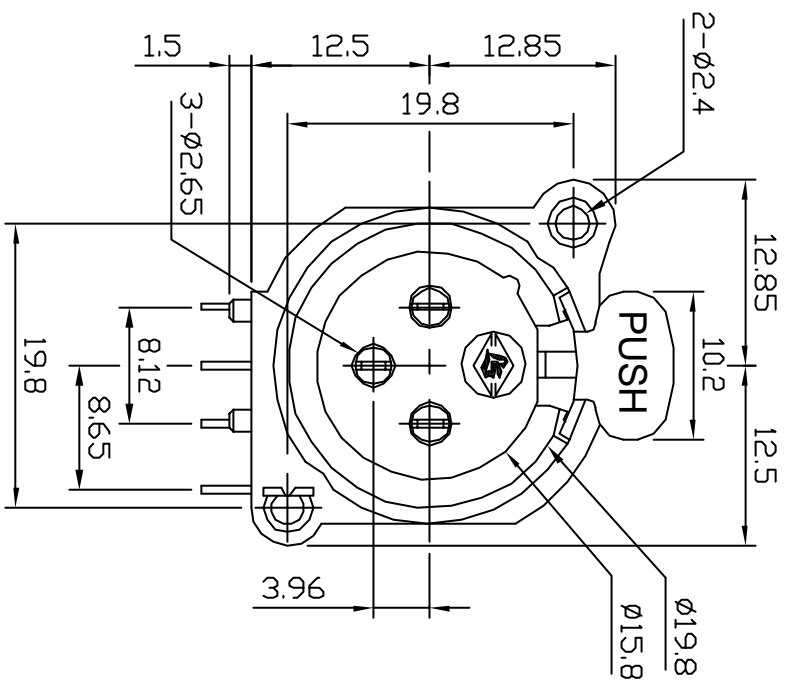
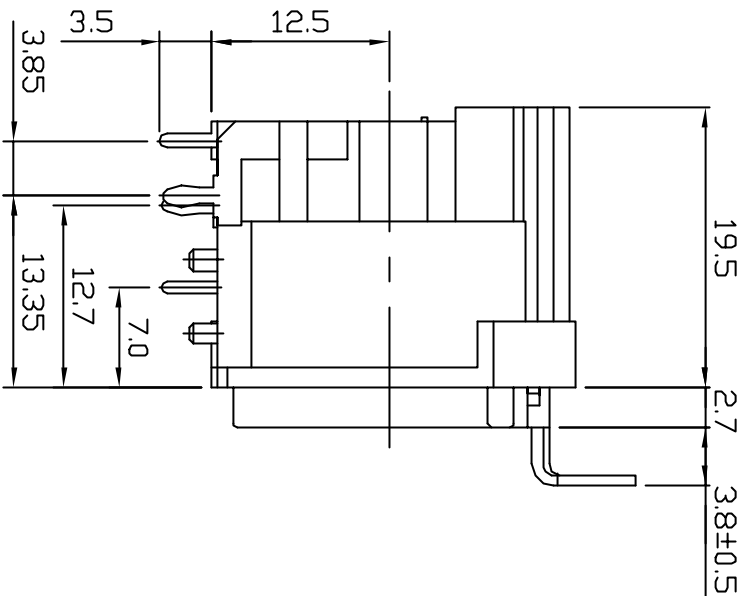
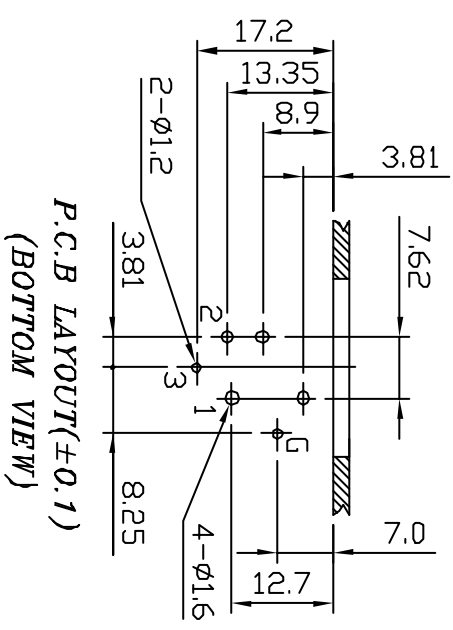


Order code	Manufacturer code	Description
20-0451	n/a	HORIZONTAL PCB XLR SOCKET

	Page 1 of 2
The enclosed information is believed to be correct, Information may change 'without notice' due to product improvement. Users should ensure that the product is suitable for their use. E. & O. E.	Revision A 04/07/2003



PANEL CUT OUT(±0.1)
(FRONT SIDE)



P.C.B LAYOUT(±0.1)
(BOTTOM VIEW)

5	BODY	1	PA66-94HB/G30	NICKEL	BLACK
4	LOCK	1	SK7	NICKEL	
3	PUSH	1	SK7	NICKEL	
2	CONTACT	3	P.B.S	GOLD 2u'	
1	SLEEVE	1	P.B.S	SILVER	
NO	PART NAME	Q'TY	MATERIAL	PLATED	COLOR

REVISION	209/05/03
----------	-----------

LIH SHENG PRECISION
INDUSTRIAL CO., LTD.

TOLERANCE		PART NAME	
X	±0.6	XLR CONNECTOR (FEMALE)	
X.X	±0.3	PART NO. LX-1604HP-3	
X.XX	±0.15	DATE	
SCALE: 1.8/1	UNIT	DRAW	CHECK
M/M	M/M	10/21/02	APP
		VEN-CHENG	