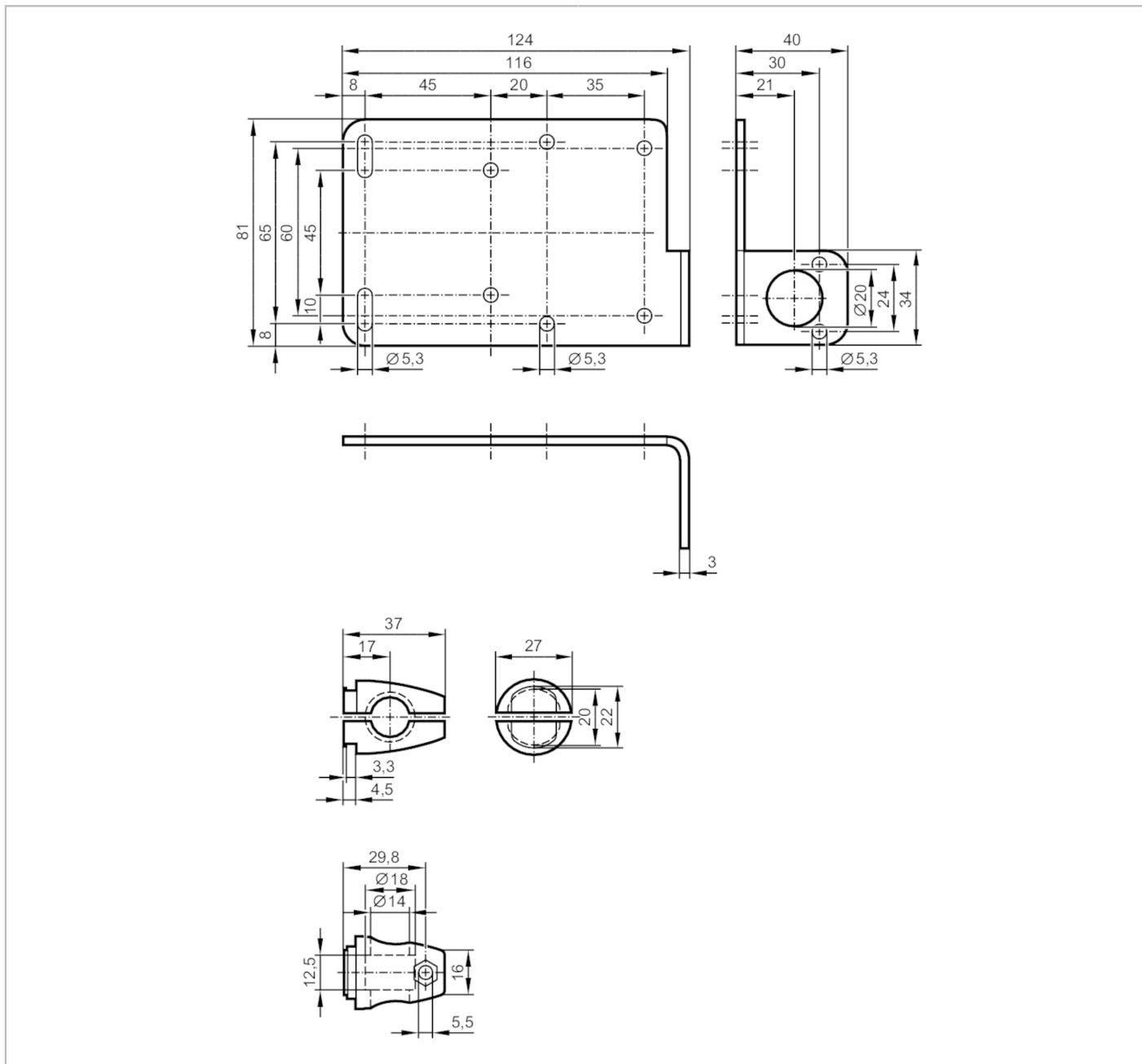


E11121



Mounting set for position sensors

MOUNTING BRACKET ANGLED



Application	
Design	clamp mounting, angled
Mechanical data	
Weight [g]	311
Type of mounting	Mounting rod; (Ø 14 mm)
Materials	Clamp: stainless steel (1.4408); fixture: stainless steel (1.4571/316Ti)
Remarks	
Pack quantity	1 pcs.