

M12 MALE 0° / M12 FEMALE 0° 3 POLE

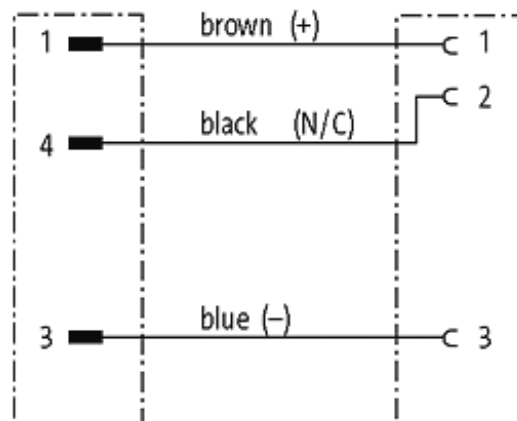
PUR 3X0.34 GRAY, UL/CSA, drag ch 8m

Male straight to female straight

M12 - M12, 3-pole

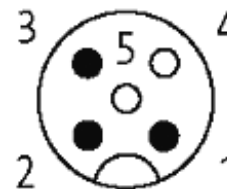
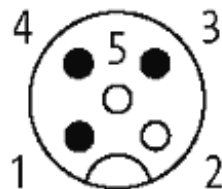
Art.-No. 7005 - M12 Lite - (plastic hexagonal screw) on request

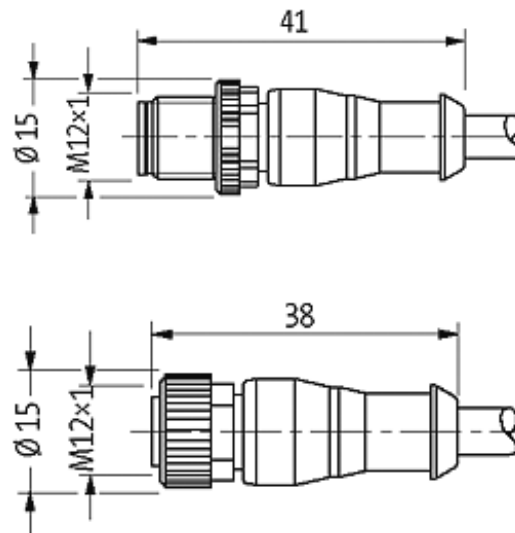
Plastic housings with good resistance against chemicals and oils. The resistance to aggressive media should be individually tested for your application. Further details on request. Further cable lengths on request.

[Link to Product](#)**Illustration**

Male

Female





Product may differ from Image

Approvals



Form

40061

Technical Data

| | |
|-------------------------------|---|
| Protection | IP67 inserted and tightened (EN 60529) |
| Operating voltage | max. 250 V AC/DC |
| Operating current per contact | max. 4 A |
| Locking of ports | Screw thread M12 × 1 mm (recommended torque 0.6 Nm) self-securing |

Cables

| | |
|-----------------------------|--------------------------|
| Cable number | 233 |
| No./diameter of wires | 3 × 0.34 mm ² |
| Wire isolation | PP (br, bl, bk) |
| C-track properties | 5 Mio. |
| Torsion | 2 Mio. ± 180°/m |
| Jacket Color | gray |
| Shore hardness outer jacket | 90 ± 5A |
| Material (jacket) | PUR (UL/CSA) |
| Outer diameter | approx. 4.3 mm |
| Bend radius (fixed) | 5 × outer Ø |
| Bend radius (moving) | 10 × outer Ø |
| Temperature range (fixed) | -40...+80 °C |
| Temperature range (mobile) | -25...+80 °C |

Commercial data

| | |
|------------------------|----------|
| country of origin | DE |
| customs tariff number | 85444290 |
| minimum order quantity | 1 |