

Mounting Clamp for M5 × 0,5

BSM5NB

Part Number

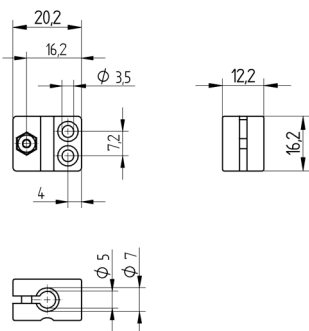
Technical Data

Mechanical Data

Material	Plastic
Packaging unit	1 Piece
Mounting Number	260



● Simple installation



All dimensions in mm (1 mm = 0.03937 Inch)

