

A range of audio and video connectors incorporating many innovative features. Assembly and disassembly is screwless and is achieved by a few turns of the back shell.

-Available in satin nickel or matt black finish, with silver gold plated contacts.
-The strain relief collet ensures a positive cable grip.

-Generous solder buckets enable easier cable assembly as well as catering for larger conductor sizes.

-A range of coloured plastic coding rings is also available, each with a single number moulded in, offering a quick and easy system of channel identification.

(Note: these connectors are not suitable for mains applications)

Mechanical Properties

Cable retention
Chuck and screw collar
Cable range
Ø 2.8mm to Ø 8.0mm
Housing
Zinc high pressure diecasting
satin nickel or black chrome
Valox DR48

Contact base
Contacts
Brass, 3 microns silver anti-tarnish
finish or 0.5 microns gold

Strain Relief
Sealing ring
P.V.C. (black)
Santoprene (UL 94 HB)

Chuck
Acetal (UL 94 HB)
Screw collar
Zinc high pressure diecasting
satin nickel or black chrome

Screw collar
Spring Steel, 3 microns silver
anti-tarnish

Screen
Spring on coloured rings

Interchangeable
Connector ident
Acetal (UL 94 HB)
Ident options
Black, Brown, Red, Orange, Yellow,
Green, Blue, Violet, Grey, White

Operating Temp
-30°C to +80°C

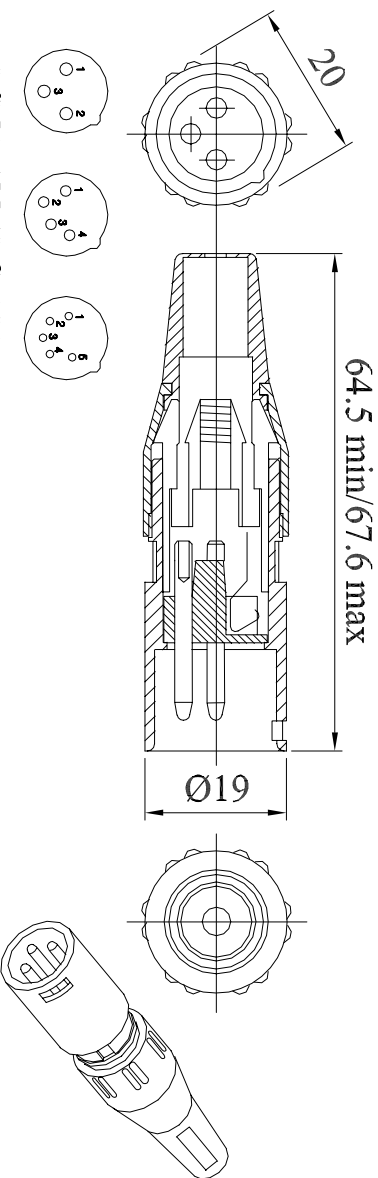
Insertion force
20N
Withdrawal force
10N
Min No. insertions
5000

Electrical Properties

Number of contacts
3, 4 or 5
Rated current per contact
16, 10 or 7.5 Amps
Maximum wire size
14, 14 or 14 AWG
(solid)
2.5, 2.5, 2.5 mm²

Cap. Between contacts
4, 7 or 7 pF
Rated voltage
250 Volts ac
Test voltage
1500 Volts ac

Contact resistance
3m Ω
Insulation resistance
1G Ω



INSERT ARRANGMENT

Deltron Part No	Silver Contacts		Gold Contacts	
	Nickel	Black	Nickel	Black
3-Way	701-0300	709-0300	705-0300	713-0300
4-Way	701-0400	709-0400	705-0400	713-0400
5-Way	701-0500	709-0500	705-0500	713-0500

CONVERTED FROM PS0805 ISS4 (23.09.02) IN JAN 2003

Drgn No 701-709-705-713

TITLE PROFESSIONAL QUALITY (7000 SERIES)-CABLE PLUG

ALL DIMENSIONS IN MM
ANGLES IN DECIMAL DEGREES



CUSTOMER

Aprvd Date 27/01/03

Aprvd By MC

FILTER REF

Drawn by BFS

Scale: NTS

Sheet 1 / 1

DELTRON Components

ES 55 4

GENERAL SPECIFICATION
FOR MULTIPOLE CONNECTOR