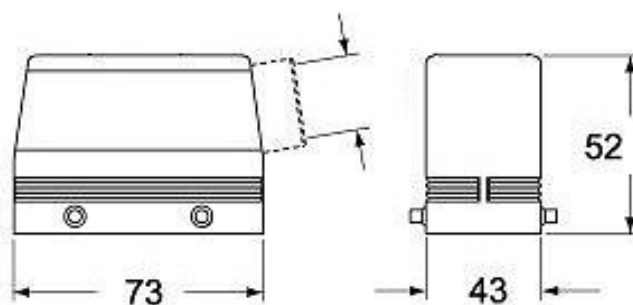


Product Sheet

Part Number: MHO 10.20



www.ilme.com



Family CH - CA and MH - MA enclosures

Version metal version

Series hoods for two levers

Product type with 4 pegs

Type side entry

Quality mark  (type:4/4X/12),  

IP degree of protection IP66 (EN 60529) and IP69K (DIN 40050 - 9) degree of protection.

Cable entry M 20

Fixing centre distance size "57.27"

Material metal

Barcode EAN13 8015747053211

The information and the dimensions contained are not binding and may be changed without prior notice.
The drawing's dimensions are in mm.