



Product Change Notification



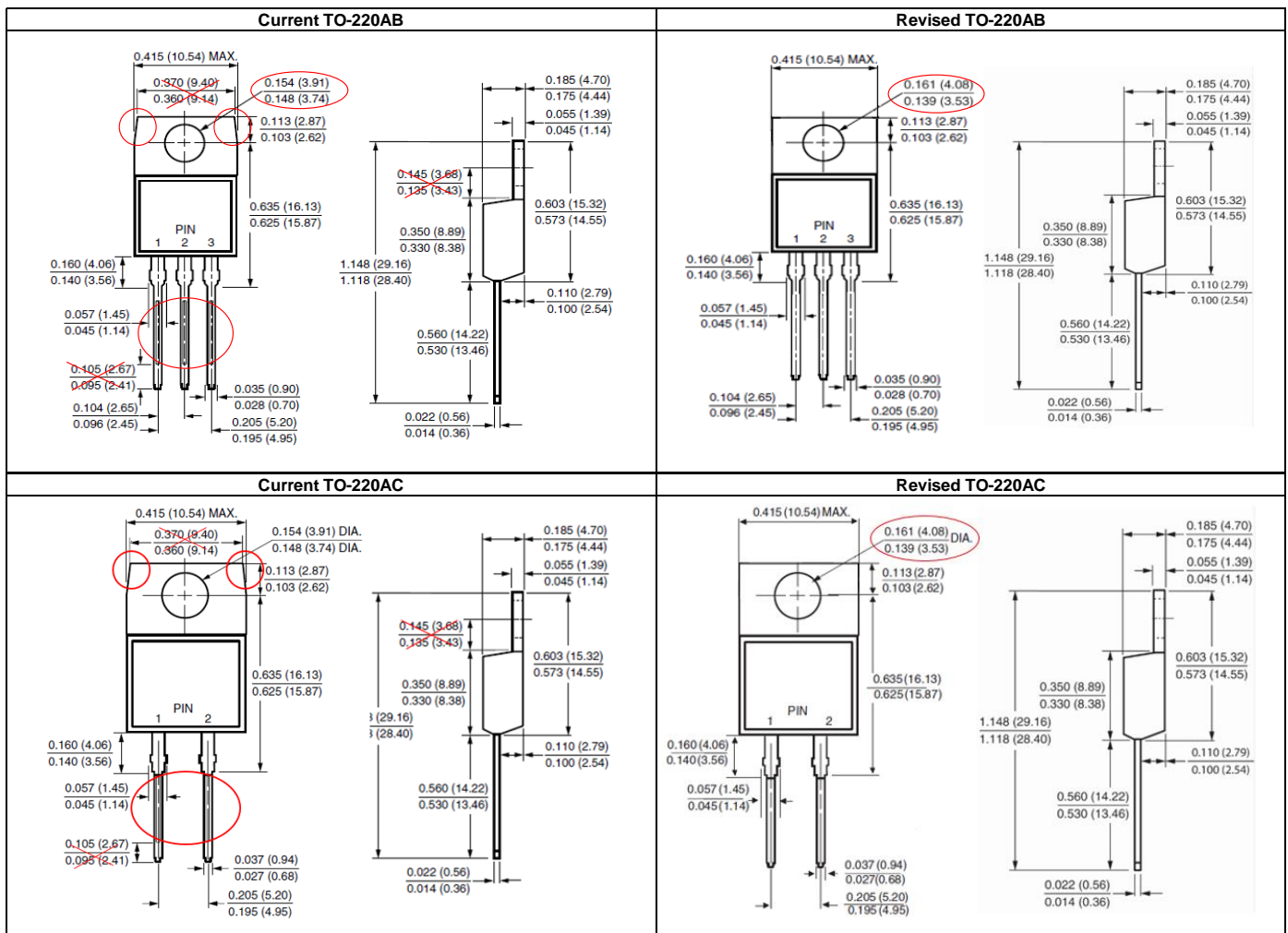
Product Group: Diodes Division / April 06, 2016 / PCN-DD-008-2016 Rev. 0

Addition of Assembly Site for TO-220 Wire Bond Packages

DESCRIPTION OF CHANGE:

Vishay General Semiconductor would like to introduce an additional TO-220 wire bond assembly line at a new subcontractor in China.

With the qualification of this new subcon packages, the TO-220AB & TO-220AC Package Outline Dimension (POD) will be consolidated as illustrated in the pictures comparison below.



CLASSIFICATION OF CHANGE: Assembly Site

REASON FOR CHANGE: Capacity expansion for improving delivery support.

EXPECTED INFLUENCE ON QUALITY/RELIABILITY/PERFORMANCE:

There will be no effect on quality, reliability, or electrical performance.



Product Change Notification



Product Group: Diodes Division / April 06, 2016 / PCN-DD-008-2016 Rev. 0

PRODUCT CATEGORY: Rectifier

PART NUMBERS/SERIES/FAMILIES AFFECTED: The Involved part numbers are listed below.

Material	Material	Material	Material	Material
MBR10100CT-E3/4W	V20120C-M3/4W	V30120SG-E3/4W	V60M120C-M3/4W	VT3045C-M3/4W
MBR10100CT-M3/4W	V20120S-E3/4W	V30120SG-M3/4W	VT1045BP-M3/4W	VT3060C-E3/4W
MBR10100-E3/4W	V20120SG-E3/4W	V30120S-M3/4W	VT1045CBP-M3/4W	VT3060C-M3/4W
MBR10100-M3/4W	V20120SG-M3/4W	V30150C-E3/4W	VT1045C-M3/4W	VT3060G-E3/4W
MBR1090CT-E3/4W	V20120S-M3/4W	V30150C-M3/4W	VT1060C-E3/4W	VT3060G-M3/4W
MBR1090CT-M3/4W	V20150C-E3/4W	V30M100M-E3/4W	VT1060C-M3/4W	VT3080C-E3/4W
MBR1090-E3/4W	V20150C-M3/4W	V30M120C-M3/4W	VT1080C-E3/4W	VT3080C-M3/4W
MBR1090-M3/4W	V20150S-E3/4W	V30M120M-E3/4W	VT1080C-M3/4W	VT3080S-E3/4W
MBR20100CT-E3/4W	V20150SG-E3/4W	V40100C-E3/4W	VT1080S-E3/4W	VT3080S-M3/4W
MBR20100CT-M3/4W	V20150SG-M3/4W	V40100C-M3/4W	VT1080S-M3/4W	VT30L60C-E3/4W
MBR2090CT-E3/4W	V20150S-M3/4W	V40100G-E3/4W	VT2045BP-M3/4W	VT30L60C-M3/4W
MBR2090CT-M3/4W	V20M100M-E3/4W	V40100G-M3/4W	VT2045CBP-M3/4W	VT4045BP-M3/4W
V10150C-E3/4W	V20M120C-M3/4W	V40120C-E3/4W	VT2045C-M3/4W	VT4045C-M3/4W
V10150C-M3/4W	V20M120M-E3/4W	V40120C-E3L/4W	VT2060C-E3/4W	VT4060C-E3/4W
V10150S-E3/4W	V30100C-E3/4W	V40120C-M3/4W	VT2060C-M3/4W	VT4060C-M3/4W
V10150S-M3/4W	V30100C-M3/4W	V40150C-E3/4W	VT2060G-E3/4W	VT6045CBP-M3/4W
V20100C-E3/4W	V30100S-E3/4W	V40150C-M3/4W	VT2060G-M3/4W	VT6045C-M3/4W
V20100C-M3/4W	V30100SG-E3/4W	V40M120C-M3/4W	VT2080C-E3/4W	VT60M45C-M3/4W
V20100S-E3/4W	V30100SG-M3/4W	V40M150C-M3/4W	VT2080C-M3/4W	VT760-E3/4W
V20100SG-E3/4W	V30100S-M3/4W	V60100C-E3/4W	VT2080S-E3/4W	VT760-M3/4W
V20100SG-M3/4W	V30120C-E3/4W	V60100C-M3/4W	VT2080S-M3/4W	
V20100S-M3/4W	V30120C-M3/4W	V60120C-E3/4W	VT3045BP-M3/4W	
V20120C-E3/4W	V30120S-E3/4W	V60120C-M3/4W	VT3045CBP-M3/4W	

VISHAY BRAND: Vishay General Semiconductor

TIME SCHEDULE: Start shipment date : June 10, 2016

SAMPLE AVAILABILITY: Available upon request.

PRODUCT IDENTIFICATION: The manufacturing code "D" will be added followed by data code (XXXXD/MXXXD) for identification of the new manufacturing site.



Product Change Notification



Product Group: Diodes Division / April 06, 2016 / PCN-DD-008-2016 Rev. 0

QUALIFICATION DATA: Available upon request.

RESPONSE DATE: This PCN is considered approved, without further notification, unless we receive specific customer written concerns before **June 06, 2016** or as specified by contract.

ISSUED BY: R.S. Chin, Product Marketing Director – Rectifiers (Standard & Schottky)

For further information, please contact your regional Vishay office.

Contact Information:

The Americas

Vishay Semiconductors
150 Motor Parkway, Suite 101E
Hauppauge, NY11788 USA
Phone :631 300 3816
Fax : 631 300 3843
Diodes-Americas@vishay.com

Europe

Vishay Semiconductors
Theresienstrasse 2
D-74072 Heilbronn, Germany
Phone : +49 7131 67 3364 (or 3365)
Fax: +49 7131 67 2938
Diodes-Europe@vishay.com

Asia

Vishay Semiconductors
15D, Sun Tong Infoport Plaza
55 Huai Hai West Road, Shanghai, China
Phone: +86 138 1787 2112
Fax: +86 21 5258 7979
Diodes-Asia@vishay.com