



# MASTER CityWhite CDO-TT

## MASTER CityWh CDO-TT Plus 70W/942 E27

Ceramic metal halide lamp with clear tubular outer bulb shape, used in outdoor offering pleasant white light

### Warnings and Safety

- Use only in totally enclosed luminaire, even during testing (IEC61167, IEC 62035, IEC60598)
- The luminaire must be able to contain hot lamp parts if the lamp ruptures
- Lamps may use electromagnetic control gear or electronic gear suitable to drive CDO lamps (e.g. HID-PV Xt CDO)
- Control gear must include end-of-life protection (IEC61167, IEC 62035)
- Warm restart time can be up to 15 minutes; T15 ignitors therefore advised
- A lamp breaking is extremely unlikely to have any impact on your health. If a lamp breaks, ventilate the room for 30 minutes and remove the parts, preferably with gloves. Put them in a sealed plastic bag and take it to your local waste facilities for recycling. Do not use a vacuum cleaner.

### Product data

General Information		Correlated Color Temperature (Nom)		4200 K
Cap-Base	E27	Color rendering index (CRI)	90	
Operating Position	UNIVERSAL [Any or Universal (U)]	Arc Length O (Nom)	7.75 mm	
Flux measurement reference	Sphere	<b>Operating and Electrical</b>		
Life to 50% Failures (Nom)	20,000 hour(s)	Power Consumption	74.0 W	
<b>Light Technical</b>		Voltage (Nom)	96 V	
Color Code	942 [CCT of 4200K]	<b>Controls and Dimming</b>		
Luminous Flux	7,500 lm	Dimmable	Yes	
Luminous Efficacy (rated) (Nom)	101 lm/W	<b>Mechanical and Housing</b>		
Color Designation	Cool White (CW)	Bulb Finish	Clear	
Chromaticity Coordinate X (Nom)	0.371			
Chromaticity Coordinate Y (Nom)	0.366			

# MASTER CityWhite CDO-TT

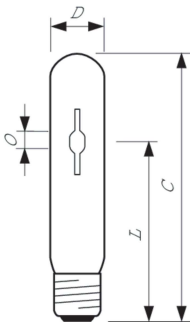
Bulb Shape	T35
<b>Approval and Application</b>	
Energy Consumption kWh/1000 h	74 kWh
EPREL Registration Number	473332
Energy Efficiency Class	F
Mercury (Hg) Content (Nom)	6.6 mg
Mercury (Hg) Content (Max)	6.6 mg

## Product Data

Order product name	MASTER CityWh CDO-TT Plus 70W/942 E27
--------------------	---------------------------------------

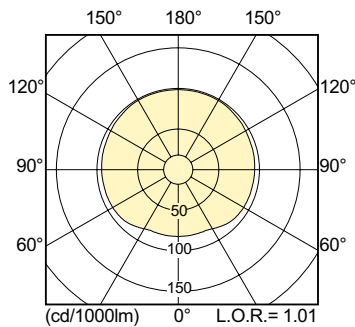
Full product name	MASTER CityWh CDO-TT Plus 70W/942 E27
Full product code	871869659679100
Order code	928082619230
Material Nr. (12NC)	928082619230
Net Weight (Piece)	48.000 g
EAN/UPC - Product/Case	8718696596791
Numerator - Packs per outer box	12
EAN/UPC - Case	8718696596807

## Dimensional drawing

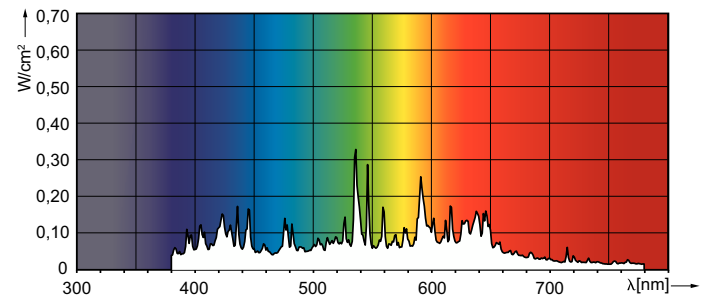


Product	D (max)	O	L	C (max)
MASTER CityWh CDO-TT Plus 70W/942 E27	36 mm	7.75 mm	102 mm	156 mm

## Photometric data



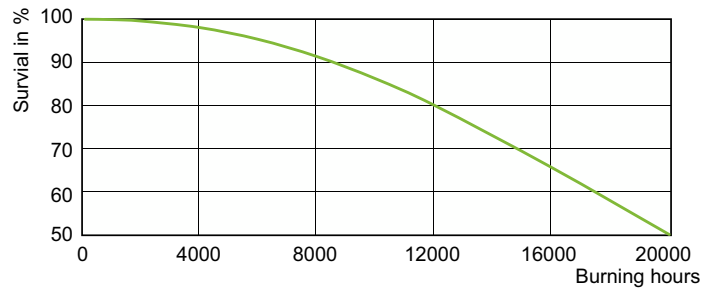
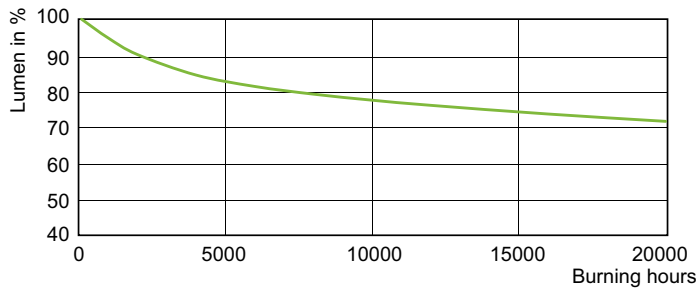
Light Distribution Diagram - MASTER CityWh CDO-TT Plus 70W/942 E27



Spectral Power Distribution Colour - MASTER CityWh CDO-TT Plus 70W/942 E27

# MASTER CityWhite CDO-TT

## Lifetime



Lumen Maintenance Diagram - MASTER CityWh CDO-TT Plus 70W/942 E27

HID, CDO-TT Plus 70W, 150W /942

