

# MODEL RB SERIES

## 1-13/16" Diameter

### Analog

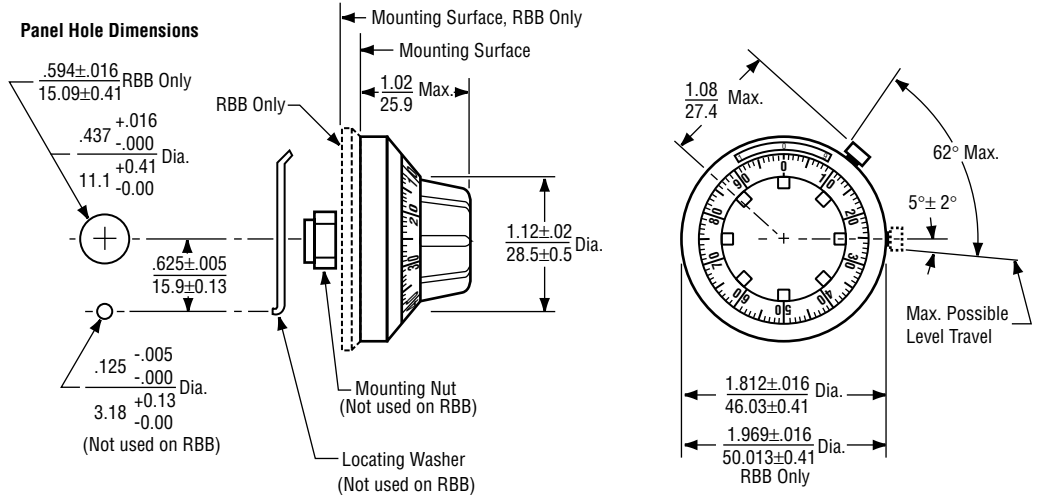
### Turns Counting Dial



MODEL	RBB	RB	RBC
Counting Capacity, Maximum Turns	15		
For Shaft Diameter	1/4"		
For Bushing Diameter	1/2"	3/8"	
Depth: Maximum, From Face of Panel	1.17"	1.020"	
Shaft Extension: Maximum, From Face of Panel	.937"	0.812"	
Shaft Extension: Minimum, From Face of Panel	.703"	0.562"	
Bushing Extension: Maximum, From Face of Panel	.531"	0.406"	
Locking Mechanism	Positive Action		
Weight, Nominal	3.3 oz.	3.0 oz.	
Number of Set Screws	1		2
Numeral Height	0.100"		
Knob Material	Black Plastic		
Dial Finish	Black Numerals on Satin Chrome		
Housing Finish	Satin Chrome		
Operating Temperature Range	-55°C to +71°C		

	RBD	RBJ
Counting Capacity, Maximum Turns	15	
For Shaft Diameter	1/4"	1/8"
For Bushing Diameter	3/8"	1/4"
Depth: Maximum, From Face of Panel	1.020"	
Shaft Extension: Maximum, From Face of Panel	0.812"	
Shaft Extension: Minimum, From Face of Panel	0.562"	
Bushing Extension: Maximum, From Face of Panel	0.406"	0.297"
Locking Mechanism	Positive Action	
Weight, Nominal	3.0 oz.	
Number of Set Screws	1	
Numeral Height	0.100"	
Knob Material	Black Plastic	
Dial Finish	White Numerals on Black Matte	Black Numerals on Satin Chrome
Housing Finish	Black Matte	Satin Chrome
Operating Temperature Range	-55°C to +71°C	

**OUTLINE DIMENSIONS (Inch/mm)**



DIMENSIONS	
← INCH →	← mm →
THIRD ANGLE PROJECTION	

Specifications subject to change without notice.